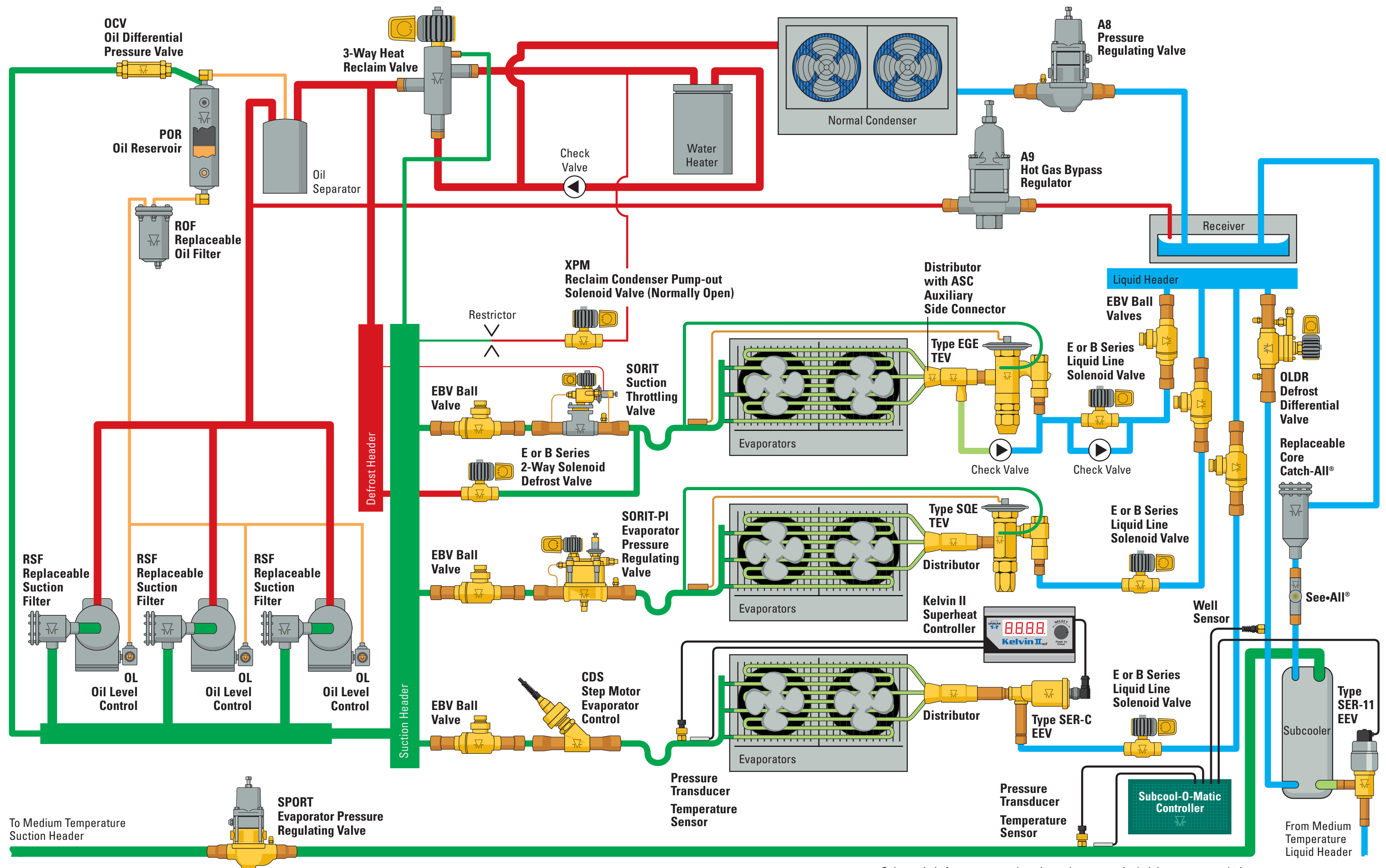


Supermarket Piping Diagram



Schematic is for component location only, not a typical piping recommendation.



Use SPORLAN Right Down the Line