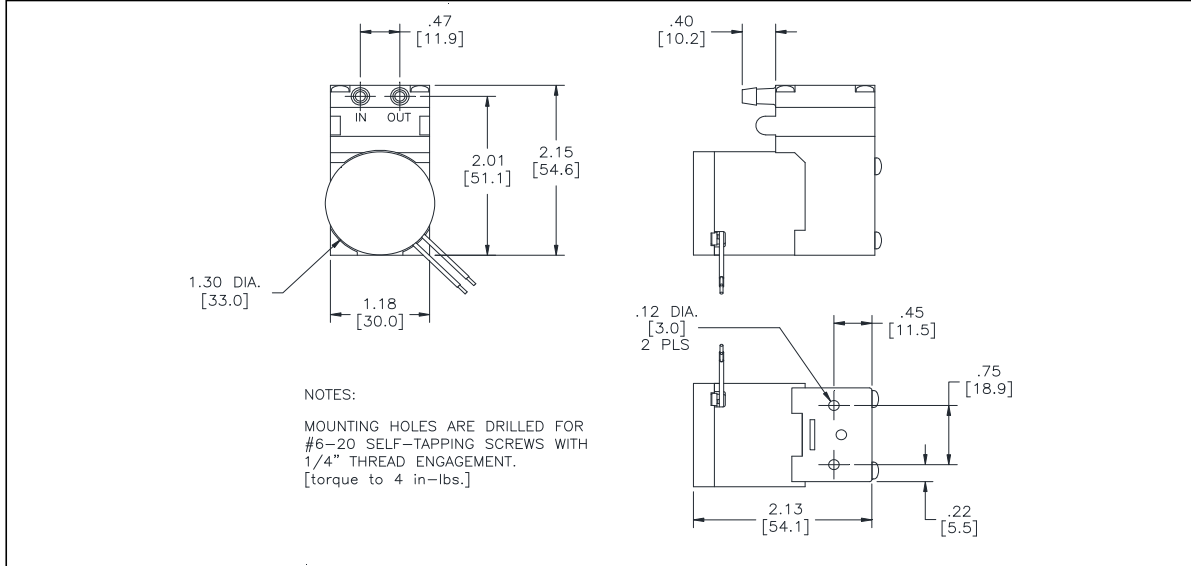




Mooresville, North Carolina 28117
 T: 704-662-3500 F: 704-662-8744
 www.parker.com/precisionfluidics

Part No.: **C117L-13**
 Model No.: **B.1C50E1.A24VDC**
 Description: **BTC Diaphragm Pump,
 Brushless Motor**

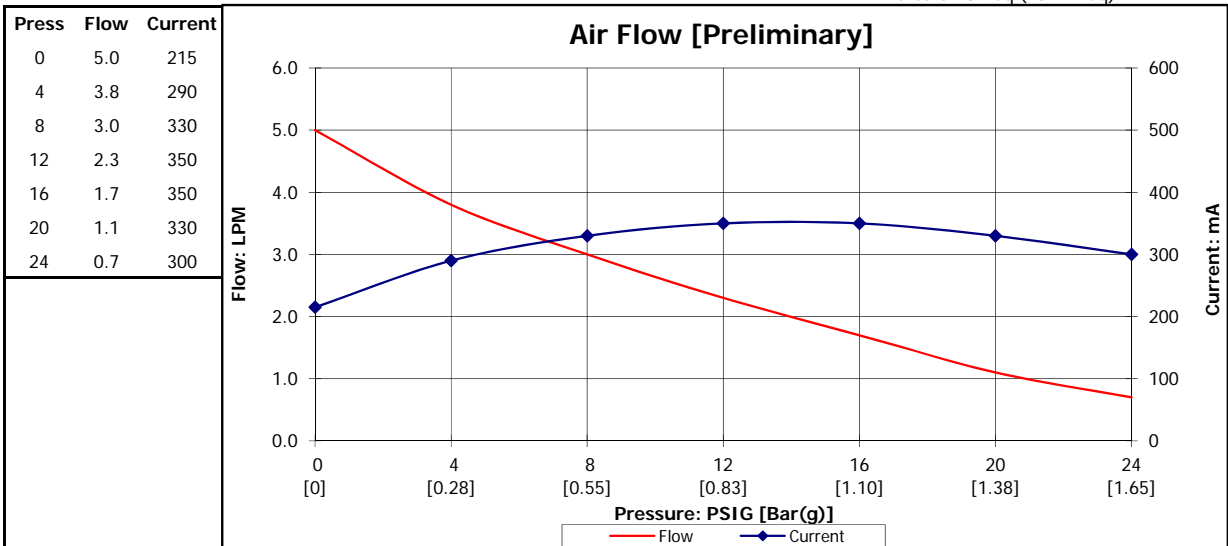
Dimensional Layout:



Specifications:

- Wetted Materials:** Pump Head: Vectra [LCP]
 Retainer Washer: 2024 Alum [700]
 Retainer Screw: 316 Stainless
 Valves: EPDM [Q55]
 Diaphragm: AEPDM [T80]
 Gasket: EPDM [65]
- Performance: [AIR]**

	Continuous	Maximum
- Pressure: PSIG [Bar(g)]	8 [0.55]	27 [1.86]
- Electrical:** Motor: Brushless Dual Bearing
 Operating Voltage: 24.0 vdc
 In-rush Current: 5 x Operating Current for up to 50 ms
 Recommended Fusing: Slow Blow @ 2 x Operating Current
- Other:** Temperature Range: 5 - 70° C
 Free Flow RPM: 3900
 Eccentric: A900
- Operating Limitations:** Not configured for vacuum operation
- Recommended Filtration:** 40 Micron media w/ a minimum surface area of .39" Sq (252mmSq)



The user, through its own analysis and testing, is solely responsible for making the final selection of the system and components and assuring that all performance, endurance, maintenance, safety and warning requirements of the application are met. The user must analyze all aspects of the application, follow applicable industry standards, and follow the information concerning the product in the current product catalog and in any other materials provided from Parker or its subsidiaries or authorized distributors.

The above graph denotes nominal performance at 800' above sea level, at 24 degrees C and at the specified voltage.

PR