

## Table of Contents

Introduction	
Rubber Hose .....	A
Thermoplastic Hose .....	B
Silicone Hose.....	C
Reusable Hose Fittings .....	D
Permanent Hose Fittings .....	E
Adapters .....	F
Brass Fittings.....	G
Brass Valves .....	H
Air Brake Products.....	I
Thermoplastic Tubing .....	J
Quick Couplings Pneumatic .....	K
Quick Couplings Hydraulic .....	L
Tools, Test Equipment, Accessories & Storage .....	M
Hose Assembly Instructions .....	N
General Information & Cross-Reference Data.....	O
Standards & Approvals; Alphanumeric Index .....	P

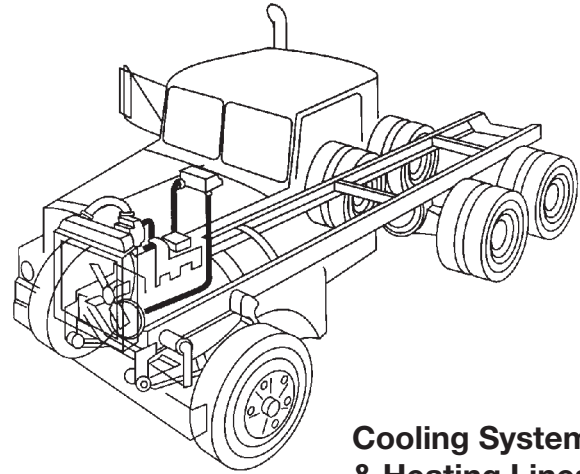
## Parker System Coverage:

Complete system coverage—this is what the Parker name means to the transportation and mobile equipment industry today.

Designed and engineered for nearly all heavy-duty truck and mobile equipment applications, Parker system coverage includes:

- Cooling and heating systems
- Air intake system
- Power steering systems
- Air-conditioning systems
- Cab tilt system
- Air systems (air brake, secondary air systems, tractor/trailer connections)
- Fuel and Lube systems
- Hydrostatic circuits
- Non-conductive applications on aerial lift trucks
- Hydraulic systems in general on mobile equipment

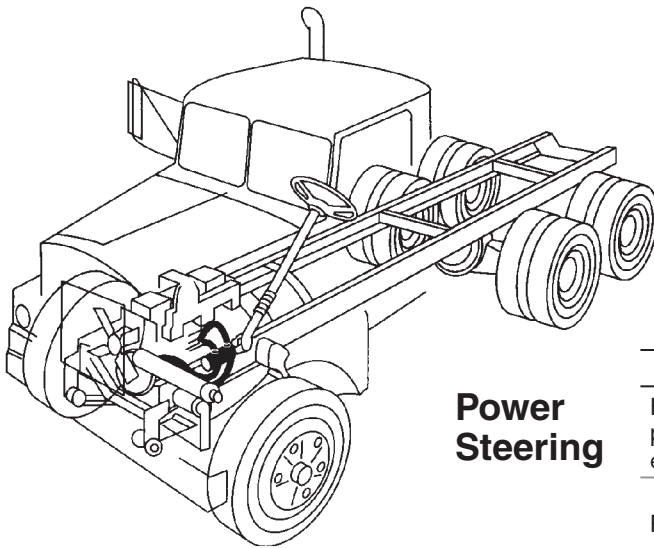
Because of their consistent quality and complete system coverage, Parker products have become the standard to the trucking and mobile equipment industry.



### Cooling System & Heating Lines

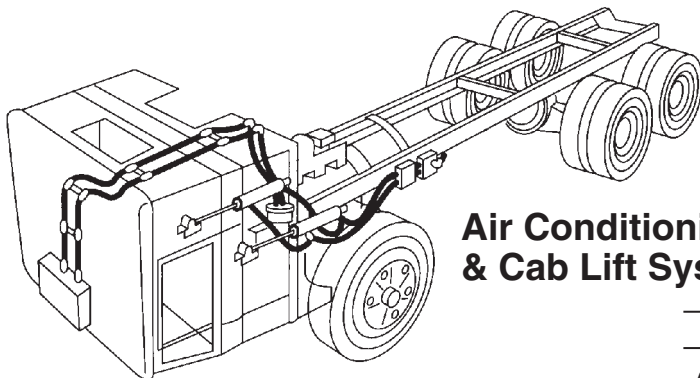
Application	Recommended
Cooling Systems and Heating lines	293 or 848 hose; Coolant Hose: Series 6621, 6623, 7395; Heater Hose: Series 6722, 6723, 6724, 6750, 6751, 7181, 7186

(Antifreeze at low pressure)



### Power Steering

Application	Recommended
Hydraulic oil up to 2500 psi (High temp. sometimes exists)	201, 206, 266PKR and 20 Series fittings; 426 or 436 hose and 43 Series fittings
Return line (No pressure)	261, 293 & 213PKR hose; Series 7399 (non-SAE hose); PD couplers



### Air Conditioning & Cab Lift Systems

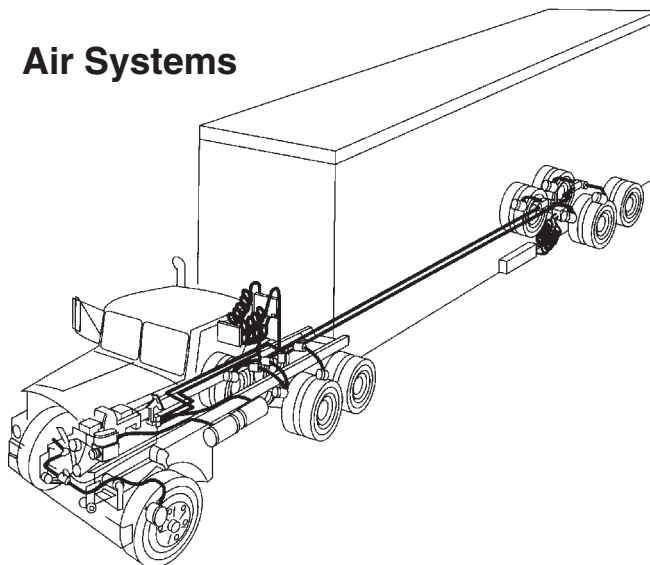
Application	Recommended
Air conditioning (Freon 12)	1/8" 60 Series quick couplings
Air conditioning (Freon 134A)	285 hose and 26 Series crimp fittings
Cab TILT System (Hydraulic oil up to 2000 psi)	201, 540N-4 hose and 20 & 55 Series fittings

Dimensions and pressures are for reference only and are subject to change.

## Air Brake

Application	Recommended
Mainline piping on chassis (Compressed air 80-120 psi)	201 or 213 hose and fittings; 271 hose and fittings; 1120 Air Brake tubing and NTA fittings; PFT tubing; PMT, PTC and NTA fittings
Complete chassis air brake system except compressor line	201 and 293 hose and 26 Series crimp fittings; 1120 Air Brake tubing and NTA fittings
Compressor discharge to storage tank (Hot compressed air to 120 psi & 400° F)	919 Teflon hose and 90 Series reusable fittings or 91N Series crimp fittings

## Air Systems



## Tractor to Trailer

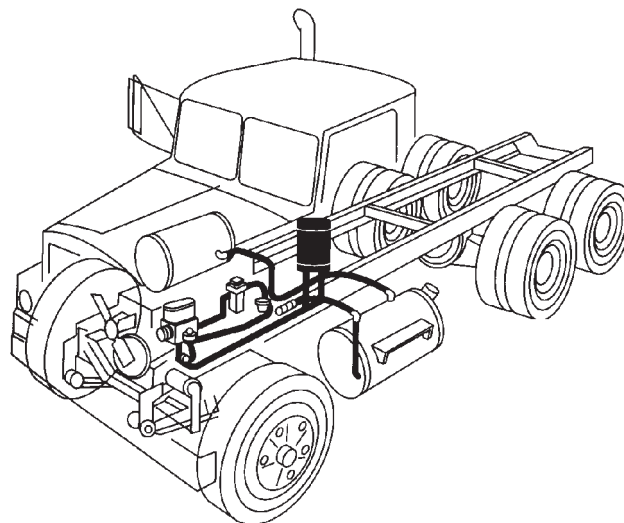
Application	Recommended
Valve on cab (Compressed air 80-120 psi)	Brakcoil® 731516 or 751641
Valve low on cab at frame rail level or remote from cab (Compressed air 80-120 psi)	Brakcoil® 731522 (With pogo stick or spring hanger)

## Secondary Air Systems

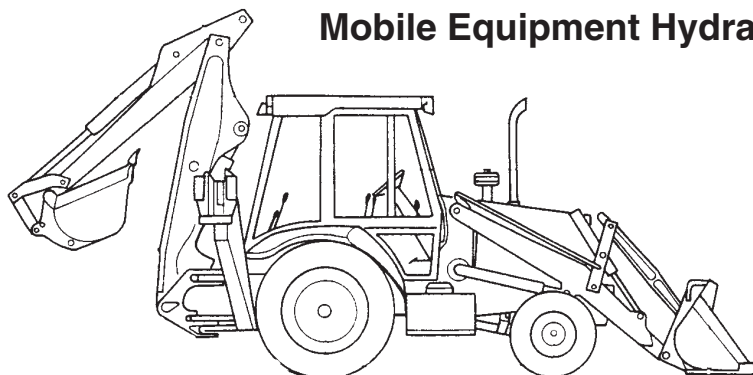
Application	Recommended
Shutter Stat, Windshield, wipers, horn, shift system, etc.	1120 Air Brake tubing; NTA, PMT, PTC and PLP fittings

## Fuel & Lube Systems

Application	Recommended
Fuel Lines (Hose compatible with diesel fuel-low pressure some suction)	201 or 293 hose and 26 Series crimp fittings, or 201 hose and Series 389, 395, 397 hose; HTFL tubing and NTA fittings
Lube Filter System (Lube oil can reach 230° F-high temp. 300° hose should be used)	20 Series reusable fittings



## Mobile Equipment Hydraulic Systems



Application	Recommended
Hydrostatic circuits Pressure over 4000 psi	772ST or 782ST hose and 71 or 78 Series fittings; for 2" six-wire hose use P35-32 hose S6 Series fittings
All other hydraulic functions Pressures typically less than 3000 psi	302, 436, or 451ST hose and 43 Series fittings; 520N, 590, D6R hose and 56 Series fittings; for non-conductive applications use 518C hose and 55 Series fittings

Dimensions and pressures are for reference only and are subject to change.

## Detailed Table of Contents

### Introduction

Parker System Coverage .....	2
Detailed Table of Contents .....	4
Ordering Information	
Hydraulic Hose and Fittings .....	8
Crimped Hose Assemblies.....	9
Field Attachable Hose Assemblies.....	10
How to Select Hose .....	11
Thermoplastic Hose Assemblies.....	12
Fluoropolymer Hose.....	13
Hose Fittings.....	13
Standard End Configurations.....	14
Adapters.....	15
Pneumatic Quick Couplings.....	16
Hydraulic Quick Couplings.....	17
Brass Fittings .....	18
Chemical Compatibility Guide .....	O10
.....	<a href="http://www.parker.com">www.parker.com</a>

### Rubber Hose ..... A

Pneumatic/Hydraulic Hose .....	A4
Hydraulic Hose .....	A4
Coolant.....	A8
Fuel .....	A11
Refrigerant .....	A13
Concrete.....	A13
Oil Field Mud.....	A13
Oil Field Fracking.....	A14
Air Brake.....	I8
“How to Order” Information.....	8, 9, 10, 11

### Thermoplastic Hose ..... B

General Information.....	B3
Thermoplastic Hose .....	B4
Hydraulic and Pneumatic Hose Selection ....	B8
Hydraulic and Pneumatic Hose PSI (MPa) ..	B8
Specialty Hoses PSI (MPa) .....	B8
“How to Order” Information.....	11, 12

### Silicone Hose ..... C

Coolant/Heater Hose.....	C3
Charge Air Cooler Hose .....	C6
“How to Order” Information.....	11, 13

### Field Attachable (Reusable) Hose Fittings ..... D

Visual Index.....	D3
20 Series Fittings .....	D8
21 Series Fittings .....	D11
22 Series Fittings .....	D13
23 Series Fittings .....	D14
51 Series Fittings .....	D14
82 Series Fittings .....	D15
88 Series Fittings .....	D19
90 Series Fittings .....	D21
BU Fittings.....	D23
Replacement Components.....	D23
Air Brake Adapter .....	D24
Banjo Bolt.....	D24
“How to Order” Information.....	10, 11, 13

### Permanent Hose Fittings ..... E

Visual Index.....	E2
25 Series Fittings .....	E14
26 Series Fittings .....	E14
43 Series Fittings .....	E19
56 Series Fittings .....	E32
71 Series Fittings .....	E40
77 Series Fittings .....	E45
79 Series Fittings .....	E52
81 Series Fittings .....	E53
91N/91 Series Fittings.....	E54
93N Series Fittings.....	E57
CY Series Fittings .....	E58
HY Series Fittings .....	E60
SF Series Fittings.....	E65
“How to Order” Information.....	9

<b>Adapters ..... F</b>	<b>Brass Valves.....H</b>
Seal-Lok™ O-Ring Adapters ..... F20	Visual Index.....H2
Triple-Lok® and Triple-Lok® 2 37° Flare Adapters ..... F32	Ball Valves .....H6
Ferulok® Flareless Bite Type Fittings ..... F48	Drain Cocks.....H11
Intrulok® Flareless Bite Type Fittings ..... F52	Needle Valves.....H12
EO and EO-2 Metric Bite Type Adapters.... F53	Truck Valves .....H14
Pipe Fittings and Port Adapters..... F80	“How to Order” Information..... 18
Pipe Swivels..... F89	<b>Air Brake Tubing and Coils ..... I</b>
JIS Fittings ..... F91	Visual Index..... I3
K4 BSP Adapters ..... F93	Coiled Air Lines ..... I7
Komatsu® Style Adapters ..... F95	BrakCoil®..... I7
Conversion Adapters ..... F96	Fifth Wheel Slider Coil ..... I7
Hydraulic Flanges and Components ..... F97	Nylon Tubing ..... I7
Diagnostic, Orifice, Bleed Adapters and Specialty Fittings ..... F111	Air Brake Rubber Hoses..... I8
PS Series ..... F115	Prestomatic Air Brake Push-In Fittings..... I9
S Series..... F120	PTC Composite Push-In Air Brake Fittings..... I12
“How to Order” Information..... 14, 15	Metric Prestomatic Air Brake Push-In Fittings..... I13
<b>Brass Fittings.....G</b>	Air Brake – AB Fittings ..... I14
Visual Index.....G3	Air Brake – NTA Fittings ..... I15
Prestomatic Air Brake Push-In Fittings..... I6	Air Brake Hose Reusable Rubber Hose Fittings ..... Section D
PTC Composite Push-In Air Brake Fittings ... I6	Air Brake Adapter Fittings ....I15 and Section D
Metric Prestomatic Air Brake Push-In Fittings..... I6	Banjo Bolt..... E24
Transmission Fittings.....G9	Air Brake Hose Ends ..... I17
Air Brake – AB Fittings ..... I6	“How to Order” Information..... Section I
Air Brake – NTA Fittings ..... I7	<b>Parflex Tubing ..... J</b>
Vibra-Lok Fittings .....G10	Visual Index.....J2
Compression Fittings .....G11	PFT, Parflex Diesel Fuel Tubing.....J3
45° Flared Fittings .....G14	HTFL, Diesel Fuel Line Tubing (High Performance) .....J3
Pipe Fittings .....G16	Series N, Flexible Nylon Tubing.....J4
Inverted Flared Fittings .....G18	Series N, Flexible Metric Nylon Tubing.....J4
Garden Hose Fittings .....G19	“How to Order” Information.....Section J
Hose Barb Fittings.....G20	
ISO Port Adapters .....G22	
“How to Order” Information..... 18	

**Quick Couplings Pneumatic.....K**  
 General Description .....K2  
 Visual Index.....K3  
 10 Series (Tru-Flate Interchange) .....K6  
 20 Series (Industrial Interchange).....K7  
 30 Series.....K7  
 GF Series – Natural & Propane Gas.....K8  
 HF Series (Industrial Interchange) .....K8  
 50 Series (ARO 210 Interchange).....K9  
 70 Series (Lincoln Interchange) .....K9  
 UC Series (Universal Coupler).....K9  
 Tool-Mate Series .....K10  
 E-z-mate Series .....K10  
 Industrial Interchange Nipples.....K11  
 RF Series High Flow  
 European Interchange.....K12  
 “How to Order” Information..... 16

**Quick Couplings Hydraulic..... L**  
 General Description ..... L2  
 Visual Index..... L3  
 60 Series..... L7  
 6600 Series..... L7  
 4000 Series..... L8  
 NS Series..... L8  
 EAS/SAE Adapter ..... L8  
 FC Series ..... L9  
 FF Series..... L9  
 FEC Series ..... L9  
 FEM Series ..... L9  
 FH Series ..... L10  
 FS Series ..... L10  
 6100 Series..... L11  
 5000 Series..... L11  
 3000 Series..... L12  
 ST Series ..... L12  
 1163 Series..... L12  
 Safety Guide..... L13  
 “How to Order” Information..... 17

**Tools, Test Equipment,  
 Accessories & Storage ..... M**  
 Visual Index..... M2  
 Parkrimp Machine Selection Instructions .... M7  
 Hose Assembly, Permanent ..... M9  
 Benders..... M13  
 Cutting and Deburring Tools..... M18  
 Flaring Tools ..... M21  
 Hose Guards..... M22  
 Sealants & Lubricants ..... M31  
 Thread Identificaton ..... M34  
 Wrenches ..... M35  
 Blow Guns..... M36  
 Check Valves..... M38  
 Diagnostic Products ..... M39  
 Storage..... M44  
 “How to Order” Information ..... Section M

**Hose Assembly Instructions .....N**  
[www.parker.com/crimpsource](http://www.parker.com/crimpsource) .....N3  
 Crimping using Minikrimp, Karrykrimp  
 and Karrykrimp 2.....N4  
 Crimping using Parkrimp 2.....N5  
 MiniKrimp Fitting Assembly Procedures.....N6  
 22 and 23 Series Mandrel Assembly  
 Instructions.....N8  
 1T126 Fitting Installation Instructions.....N9  
 30 Series Hose Assembly Instructions.....N10  
 82 Series Assembly and Disassembly  
 Instructions.....N11  
 88 Series Hose Assembly Instructions.....N12  
 Ferrule-Fix.....N13  
 Parflex Twin/Multi-Line Separation .....N14  
 Parflex Hose Assembly and Crimping.....N15  
 Hydraulic Field Attachable Fitting  
 Assembly.....N20  
 90 Series PTFE Field Attachable Fitting  
 Assembly.....N22  
 SQ-Swage Instructions .....N25

**General Information & Cross-Reference Data .....O**

- Flow Capacities at Recommended Flow Velocities .....O3
- Hose Flow Capacities Pressure Drop .....O4
- Temperature/Pressure Chart – 201, 206, 213 and 266 Hose .....O5
- Minimum/Maximum Temperature .....O6
- Hose Installation Tips .....O8
- Assembly Methods .....O10
- Chemical Compatibility .....O10
- Parker Safety Guide .....O11

**Standards and Approvals ..... P**

- Performance Standards and Specifications ..... P3
- Applicable Standards and Specifications for Hose Products ..... P5
- Applicable Standards for Industrial Hose Products, by Standard Number ..... P6
- Applicable Standards for Parflex Products ..... P6
- Applicable Standards for Tube Fittings Products, by Standard Number ..... P7
- Thread Designations and Document Standards for Threads Used in Fluid Connectors ..... P8
- Document Sources for Connector Specifications ..... P9

**Alphanumeric Index ..... P11**

**End Fitting Size Chart ..... P19**

**Offer of Sale ..... P20**

**Parker’s Motion & Control Technologies..... inside back cover**

**For More Details**

Visit [www.parker.com](http://www.parker.com) for detailed information.

Additionally, reference the following division catalogs:

- Fluid System Connectors Division .....Catalog 3501E
- Hose Products Division ..... Catalog 4400
- Industrial Hose Products Division ..... Catalog 4800
- Parflex Division ..... Catalog 4660
- Quick Couplings Division ..... Catalog 3800
- Tube Fittings Division ..... Catalog 4300

## How to Order Hydraulic Hose and Fittings

To make ordering Parker products easier, we have outlined the nomenclature for hose and fittings on this page. For information on ordering hose assemblies, see [Section A](#).

### How to Select Hose

Example: 451TC-8

**451TC-8** - Hose type

**451TC-8** - Indicates the special feature of the hose  
(in this case, 'Tough Cover')

451TC-**8** - Hose inside diameter dash size (in this case, 8/16" or 1/2")



### How to Select Parkrimp Hose Fittings

Example: 1JC43-12-8C

**1JC43-12-8C** - Fitting (1 = Crimp, 2 = Field Attachable, 3 = Push-Lok, Blank = Nipple with clamp or shell)

**1JC43-12-8C** - End connection (In this case, a female Seal-Lok – swivel – straight)

**1JC43-12-8C** - Fitting series

1JC43-**12-8C** - Size of fitting end connection (In this case, 12/16" or 3/4")

1JC43-12-**8C** - Hose size (In this case, 8/16" or 1/2")

1JC43-12-8**C** - Fitting material:

No Suffix = Steel

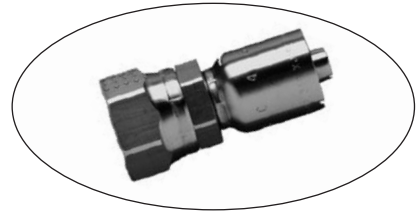
B = Brass

C = 316 Stainless Steel

BA = Brass Nipple with Steel Nut and Socket

BS = Brass Nipple with Brass Nut and Socket

SM = Metric Hex



### How to Select Two-Piece Field Attachable Fittings

When selecting a two-piece field attachable fitting, the fitting part number (found in [Section B](#) of this catalog) needs to be broken down into two distinct numbers for the nipple and the socket.

Example: 20120-16-16B

#### Socket Part Number

Example: 20020-16B

**20020-16B** - Fitting (1 = Crimp, 2 = Field Attachable, 3 = Push-Lok, Blank = Nipple with clamp or shell)

**20020-16B** - End connection ("00" represents that it is a socket)

**20020-16B** - Fitting series

20020-**16B** - Hose size (In this case, 16/16" or 1")

20020-16**B** - Fitting material:

No Suffix = Steel

B = Brass

C = 316 Stainless Steel

BA = Brass Nipple with Steel Nut and Socket

BS = Brass Nipple with Brass Nut and Socket

SM = Metric Hex



#### Nipple Part Number

Example: 0120-16-16B

0120-16-16B - Fitting (1 = Crimp, 2 = Field Attachable, 3 = Push-Lok, Blank = Nipple with clamp or shell)

**0120-16-16B** - End connection (In this case, a male NPTF Pipe – rigid – straight)

01**20**-16-16B - Fitting series

0120-**16-16B** - Size of fitting end connection (In this case, 16/16" or 1")

0120-16-**16B** - Hose size (In this case, 16/16" or 1")

0120-16-16**B** - Fitting material:

No Suffix = Steel

B = Brass

C = 316 Stainless Steel

BA = Brass Nipple with Steel Nut and Socket

BS = Brass Nipple with Brass Nut and Socket

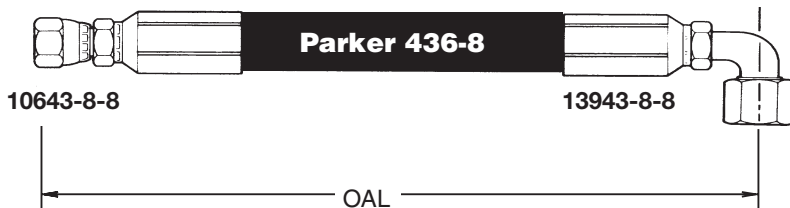
SM = Metric Hex



Dimensions and pressures are for reference only and are subject to change.



# How to Order Crimped Hose Assemblies



Prefix	Hose Type	Fitting End Configuration		Fitting End Connection Size		Hose Size	Fitting Material	Overall Length (OAL)	Displacement Angle	Hose Assembly Guard
		1st	2nd	1st	2nd					
F	436	06	39	08	08	08		-24		

Prefix	
Symbol	Description
F	Parkrimp Crimp Fittings (i.e. 43 Series)
P	Parkrimp Crimp Fittings (i.e. 26 Series)
Y	Permanent Crimp Fittings (i.e. HY Series)
K	Permanent Crimp Fittings (i.e. 81 Series)

Fitting Material	
Symbol	Description
	No Suffix = Steel
B	Brass
C	316 Stainless Steel
BA	Brass nipple with steel nut and socket
BS	Brass nipple with brass nut and socket

Hose Type	
Symbol	Description
436	SAE 100R16 Hose

Overall Length (OAL)	
Symbol	Description
24	Expressed in inches (610 mm)
OAL of a hose assembly is measured from the end of the straight fitting or centerline of the fitting seat. OAL of the Seal-Lok™ hose assembly is measured to the sealing surface of the straight fittings or to the centerline of the elbow fittings.	

1st Fitting End Configuration	
Symbol	Description
06	Female JIC 37° Swivel Straight
<b>Note:</b> See page 14 for a complete list of fitting configurations.	

Displacement Angle	
Symbol	Description
270	Specified only if two (2) elbow fittings are used. Starting with either end as the far end, measure angle clockwise to describe the displacement angle of the near end.

2nd Fitting End Configuration	
Symbol	Description
39	Female JIC 37° Swivel 90° Elbow - Short Drop
<b>Note:</b> See page 14 for a complete list of fitting configurations.	

1st Fitting End Connection Size	
Symbol	Description
08	1/2" Female JIC (3/4x16 thread)

Hose Assembly Guards	
Symbol	Description
SG	Spring Guard
AG	Armor Guard
HG	Polyguard
PG	Parkoil
FS	Fire Sleeve
AS	Partek Sleeving
PS	Partek Sleeving
<b>Note:</b> When spelling out an assembly part number list entire sleeving part number	

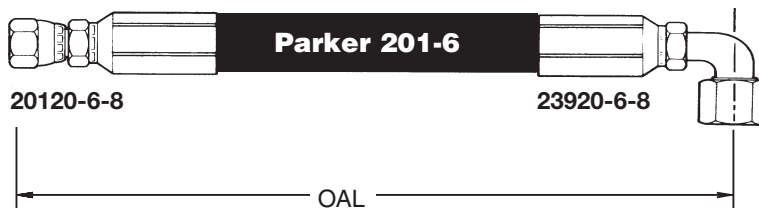
2nd Fitting End Connection Size	
Symbol	Description
08	1/2" Female JIC (3/4x16 thread)

Hose Size	
Symbol	Description
08	1/2" Hose ID

Dimensions and pressures are for reference only and are subject to change.



# How to Order Field Attachable Hose Assemblies



Prefix	Hose Type	Fitting End Configuration		Fitting End Connection Size		Hose Size	Fitting Material	Overall Length (OAL)	Displacement Angle	Hose Assembly Guard
		1st	2nd	1st	2nd					
R	201	01	06	06	06	08		-24		


Prefix	
Symbol	Description
R	Field Attachable (i.e. 20 Series)
M	Mandrel (i.e. 23 Series)
B	Clamp (i.e. 88HC-H and 88DB on 88 Series)
C	Worm Gear Clamp (i.e. 88H Series on 88 Series)

Fitting Material	
Symbol	Description
No Suffix	= Steel
B	Brass
C	316 Stainless Steel
BA	Brass nipple with steel nut and socket
BS	Brass nipple with brass nut and socket

Hose Type	
Symbol	Description
201	SAE 100R5

Overall Length (OAL)	
Symbol	Description
24	Expressed in inches (610 mm)
OAL of a hose assembly is measured from the end of the straight fitting or centerline of the fitting seat. OAL of the Seal-Lok™ hose assembly is measured to the sealing surface of the straight fittings or to the centerline of the elbow fittings.	

1st Fitting End Configuration	
Symbol	Description
01	Male NPTF Straight
<b>Note:</b> See page 14 for a complete list of fitting configurations.	

Displacement Angle	
Symbol	Description
270	Specified only if two (2) elbow fittings are used. Starting with either end as the far end, measure angle clockwise to describe the displacement angle of the near end.
	

2nd Fitting End Configuration	
Symbol	Description
06	JIC 37° Flare Straight
<b>Note:</b> See page 14 for a complete list of fitting configurations.	

1st Fitting End Connection Size	
Symbol	Description
06	3/8" Pipe Thread

Hose Assembly Guards	
Symbol	Description
SG	Spring Guard
AG	Armor Guard
HG	Polyguard
PG	Parkoil
FS	Fire Sleeve
AS	Partek Sleaving
PS	Partek Sleaving
<b>Note:</b> When spelling out an assembly part number list entire sleaving part number	

2nd Fitting End Connection Size	
Symbol	Description
06	3/8" JIC (9/16x18 thread)

Hose Size	
Symbol	Description
08	13/32" Hose ID

Dimensions and pressures are for reference only and are subject to change.

## How to Select Hose



### How To Select A Hose (STAMPED)

<b>Size</b>	The appropriate inside and outside diameters and length of the hose should be determined
<b>Temperature</b>	The maximum temperature of the material being conveyed
<b>Application</b>	External conditions including abrasion, climate, heat, flexing, crushing, kinking, and degrees of bending
<b>Media</b>	The composition of the substance being conveyed and chemical compatibility with the hose inner core and, if applicable, the outer jacket
<b>Pressure</b>	The maximum pressure of the system, including pressure spikes
<b>Ends</b>	The appropriate end connection and attachment method for the application
<b>Delivery</b>	Testing, quality, packaging, and delivery requirements

Dimensions and pressures are for reference only and are subject to change.

# How to Order Thermoplastic Hose Assemblies



Prefix	Hose Type	Fitting End Configuration		Fitting End Connection Size		Hose End Dash Size	Fitting Material	Overall Length (OAL)	Displacement Angle
		1st	2nd	1st	2nd				
F	540N	06	-39	12	12	12		-52	

Prefix	
Symbol	Description
F	Parkrimp (i.e. 55 series)
A	Factory Crimp (i.e. 54 series)
R	Field Attachable (i.e. 51 series)

Hose Type			
D6/D6R	590	53DM	1035A
H6	593	540N	1035HT
R6	510A	540P	83FR
HFS	510C	55LT	B9
HFS2	518C	56DH	5CNG
M8	515H	575X	HLB
HTB	520N	580N	MSH
HJK	528N	H580N	PTH
560	526BA	588N	SLH
563	527BA		

1st and 2nd Fitting End Configuration	
Symbol	Description
01	Male Pipe Thread (with hex) - NPTF
02	Female Pipe Thread - NPT
03	Male SAE (JIC) 37° Flare
05	Male Straight Thread w/ O-Ring
06	Female SAE (JIC) 37° Swivel
07	Female Pipe Swivel
13	Male Pipe Swivel - NPTF
37	Female SAE (JIC) 37° Swivel - 45° Elbow
39	Female SAE (JIC) 37° Swivel - 90° Elbow
41	Female SAE (JIC) 37° Swivel - 90° Long Elbow
JC	Female Seal-Lok™ (ORFS) Swivel Short
FU	Female JIC/BSP 30° Flare Swivel
MU	Metric Female JIC/BSP 30° Flare Swivel
J0	Male Seal-Lok™ (ORFS) Rigid Straight w/O-Ring
GU	Female JIC/BSP Parallel Pipe Swive (60° Cone)
JS	Female Seal-Lok™ (ORFS) Swivel
J7	Female Seal-Lok™ (ORFS) Swivel - 45° Elbow
J9	Female Seal-Lok™ (ORFS) Swivel - 90° Elbow
TU	Universal Tube Stub
AL	A-LOK® Compression

**Note:** See page 14 for a complete list of fitting configurations.

1st Fitting End Connection Size					
Symbol	Description		Symbol	Description	
-2	1	1/8	-6	1	3/8
-3	1	3/16	-8	1	1/2
-4	1	1/4	-10	1	5/8
-5	1	5/16	-12	1	3/4
			-16	1	1
			-20	1	1-1/4


2nd Fitting End Connection Size					
Symbol	Description		Symbol	Description	
-2	2	1/8	-6	2	3/8
-3	2	3/16	-8	2	1/2
-4	2	1/4	-10	2	5/8
-5	2	5/16	-12	2	3/4
			-16	2	1
			-20	2	1-1/4

Hose Size					
Symbol	Description		Symbol	Description	
-2	=	1/8	-6	=	3/8
-3	=	3/16	-8	=	1/2
-4	=	1/4	-10	=	5/8
-5	=	5/16	-12	=	3/4
			-16	=	1

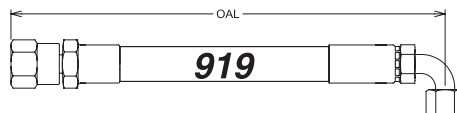
Fitting Material	
Symbol	Description
No Suffix	Steel
B	Brass
C	Stainless Steel

Overall Length (OAL)	
Symbol	Description
	Expressed in inches
	<b>Note:</b> Face Seal type fittings are measured from sealing face.

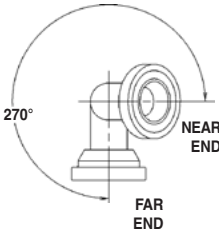
Displacement Angle	
Symbol	Description
270	Specified only if two (2) elbow fittings are used to construct hose assembly. Starting with either end as the far end, measure angle clockwise to describe the displacement angle of the near end.



# How to Order Fluoropolymer Hose



## Hose Assembly Nomenclature

Prefix	Hose Type	Fitting End Configuration		Fitting End Connection Size		Hose End Dash Size	Fitting Material	Length	Displacement Angle
		1st	2nd	1st	2nd				
P	919	06	39	08	08	08	C	30	N/A
R Field Attachable Fitting P Permanent Crimp 91N & 93N Series F 91 Series Crimp							Blank = Steel C Stainless B Brass	Overall Length always expressed in inches  If elbow fittings are used overall length is measured from the centerline of the seat	Specified only if two elbow fittings are used. Starting with either end as the far end, measure the angle clockwise to describe the displacement of the near end.  

This assembly example reflects a 1/2" ID 919 hose with an SAE 1/2" female JIC 37° straight fitting on the first end and an SAE 1/2" 90° female JIC 37° elbow fitting on the other. The fittings are crimped (permanently attached) and stainless steel. The overall length is 30".

The first fitting part number is 10691N-8-8  
The second fitting part number is 13991N-8-8

### Special Notes

Assemblies are to be measured extreme end to end. Exceptions:

1. Face seal type fittings shall be measured from sealing face.
2. Where elbow fittings are used, measurement shall be to the centerline of the sealing surface of the elbow end.
3. "A-LOK" and "CPI" fittings are measured from the tube stops.

## Hose Fittings Nomenclature

Type	End Configuration Code	Series of Fitting	End Size	Hose Size	Material
1	03	91N	8	6	
1 Crimp 2 Field Attachable					Blank = Steel or Brass/Steel B All Brass C Stainless Steel S All Carbon Steel

This example describes a permanent crimp 1/2" Male SAE JIC 37° hose end with a 3/8" hose end-this commonly referred to as a "jump size". This fitting is constructed from carbon steel since the designated material is blank.

The callout is: **10391N-8-6**

Dimensions and pressures are for reference only and are subject to change.



# Standard Fitting Configurations

by Connection and End Code

Type	Description	End Code
Pipe	Male NPTF Pipe - Rigid - Straight	01
	Male NPTF Pipe - Swivel - Straight	13
	Male NPTF Pipe - Swivel - 90° Elbow	1L
	Female NPTF Pipe - Rigid - Straight	02
	Female NPSM Pipe - Swivel - Straight (60° Cone)	07
SAE Straight Thread	Male SAE Straight Thread with O-Ring - Rigid - Straight	05
	Male SAE Straight Thread with O-Ring - Swivel - Straight	0G
	Male SAE Straight Thread with O-Ring - Swivel - 90° Elbow	0L
	Male SAE Straight Thread with O-Ring - Adjustable - 90° Elbow	35
Flare	Male JIC 37° - Rigid - Straight	03
	Male JIC 37° - Bulkhead without Locknut - Straight	LB
	Female JIC 37° - Swivel - Straight	06
	Female JIC 37° - Swivel - 45° Elbow - Short Drop	37
	Female JIC 37° - Swivel - 45° Elbow - Medium Drop	L7
	Female JIC 37° - Swivel - 90° Elbow - Short Drop	39
	Female JIC 37° - Swivel - 90° Elbow - Medium Drop	L9
	Female JIC 37° - Swivel - 90° Elbow - Long Drop	41
	Male SAE 45° - Rigid - Straight	04
	Female SAE 45° - Swivel - Straight	08
	Female SAE 45 / Swivel - 45° Elbow	77
	Female SAE 45 / Swivel - 90° Elbow	79
	Female SAE 45 / Swivel - 90° Elbow - Long Drop	81
	Female JIC 37°/SAE 45° Dual Flare - Swivel - Straight	06
	Inverted Flare	Male Inverted SAE 45° - Swivel - Straight
Male Inverted SAE 45° - Swivel - 45° Elbow		67
Male Inverted SAE 45° - Swivel - 90° Elbow		69
Female Inverted SAE 45° - Rigid - Straight		29
Seal-Lok	Male Seal-Lok - Rigid - Straight (with O-Ring)	J0
	Male Seal-Lok - Bulkhead without Locknut-Straight (with O-Ring)	JB
	Female Seal-Lok - Swivel - Straight - Long	JS
	Female Seal-Lok - Swivel - Straight - Short	JC
	Female Seal-Lok - Swivel - 221/2° Elbow	J6
	Female Seal-Lok - Swivel - 45° Elbow	J7
	Female Seal-Lok - Swivel - 90° Elbow - Short Drop	J9
	Female Seal-Lok - Swivel - 90° Elbow - Medium Drop	J5
	Female Seal-Lok - Swivel - 90° Elbow - Long Drop	J1
JIS	Female Metric Swivel - Straight (30° Flare)	MU
	Female BSP Parallel Pipe - Swivel - Straight (30° Flare)	FU
	Male BSP Taper Pipe - Rigid - Straight (60° Cone)	UT
	Female BSP Parallel Pipe - Swivel - Straight (60° Cone)	GU
	Female BSP Parallel Pipe - Swivel - 45° Elbow (60° Cone)	G1
	Female BSP Parallel Pipe - Swivel - 90° Elbow (60° Cone)	G2

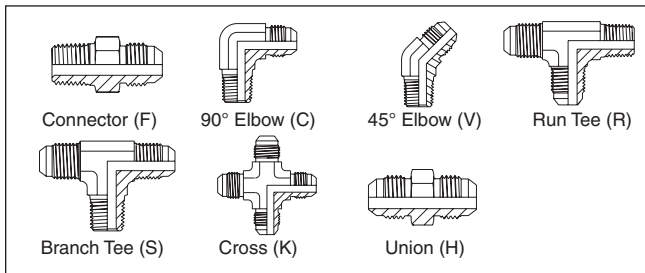
Type	Description	End Code
Metric	Male Metric L - Rigid - Straight (24° Cone)	D0
	Male Standpipe Metric L - Rigid - Straight	1D
	Female Metric L - Swivel - Straight (Ball Nose)	C3
	Female Metric L - Swivel - 45° Elbow (Ball Nose)	C4
	Female Metric L - Swivel - 90° Elbow (Ball Nose)	C5
	Female Metric L - Swivel - Straight (24° Cone with O-Ring)	CA
	Female Metric L - Swivel - 45° Elbow (24° Cone with O-Ring)	CE
	Female Metric L - Swivel - 90° Elbow (24° Cone with O-Ring)	CF
	Male Metric S - Rigid - Straight (24° Cone)	D2
	Male Standpipe Metric S - Rigid - Straight	3D
	Female Metric S - Swivel - Straight (Ball Nose)	C6
	Female Metric S - Swivel - 45° Elbow (Ball Nose)	C7
	Female Metric S - Swivel - 90° Elbow (Ball Nose)	C8
	Female Metric S - Swivel - Straight (24° Cone with O-Ring)	C9
	Female Metric S - Swivel - 45° Elbow (24° Cone with O-Ring)	0C
	Female Metric S - Swivel - 90° Elbow (24° Cone with O-Ring)	1C
	BSP	Male BSP Taper Pipe - Rigid - Straight
Female BSP Parallel Pipe - Swivel - Straight (60° Cone)		92
Male BSP Parallel Pipe - Rigid - Straight (60° Cone)		D9
Female BSP Parallel Pipe - Swivel - 45° Elbow (60° Cone)		B1
Female BSP Parallel Pipe - Swivel - 90° Elbow (60° Cone)		B2
Female BSP Parallel Pipe - Swivel - 90° Elbow Block Type (60° Cone)		B4
Female BSP Parallel Pipe - Swivel - Straight (Flat Seat)		B5
Male BSP Taper Pipe - Rigid - 45° Elbow		BV
Male BSP Taper Pipe - Rigid - 90° Elbow or Side Outlet		BZ
Fr. Gaz	Male French Gaz Series - Rigid - Straight (24° Cone)	FG
	Female French Gaz Series - Swivel - Straight (Ball Nose)	F4
Specialty	Male Ferulok Flareless-Rigid-Straight (24° Cone with Nut and Ferrule)	11
	Female Ferulok Flareless - Swivel - Straight (24° Cone)	12
	DIN Metric Banjo - Straight	49
	ANSI B16.5 Flange	4K
	Female A-Lok® Compression	AL
	Female Cam & Groove	FC
	Sanitary Flange & Step Downs	FN
	Mini Sanitary Flange	FV
	Bulkhead w/Zerk Port Integrated	GK
	Male I-Line® Sanitary	H1
	Female I-Line® Sanitary	H2
	Male Sanitary Bevel Seat	H4
	Female Sanitary Bevel Seat	H5
	Male Standpipe - Rigid - Straight (Inch Size Tube OD)	34
	Male Standpipe - Rigid - Straight with V-Notch	TW
	Universal Tube Stub	TU
	Male Rapid Assembly, Straight	WU
	Male Rapid Assembly, 45° Elbow	WW
	Male Rapid Assembly, 90° Elbow	WY

# How to Order Adapters

## Ordering by Tube Fitting Division Part Number

Parker hose adapter part numbers are made up of three basic components:

**Base Letters** — The base letters indicates the shape of the adapter. Examples of the most popular shapes are shown below.



**Dash Size** — This is one or more numbers preceding the base letters and is used to indicate end sizes in (1/16) of an inch. **Note:** The Tube Fitting Division part numbers for 37° adapters do not reflect the same size sequences used for the Hose nomenclature.

The flared end is referenced first in Tube Fitting nomenclature. The flared end is referenced second in Hose nomenclature.

**Example:** Tube Fitting Division (TFD) = Hose Division (HPD)  
8-FTX-S = 0103-6-8

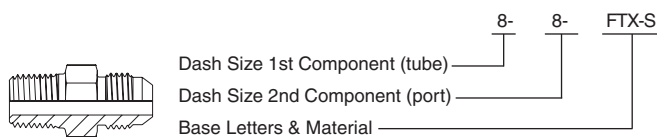
**Material Design** — Materials are indicated by a letter suffix added at the end of the part number according to the following code:

Steel (Zinc plated)	S
Brass (37° only)	B
Stainless Steel	SS

**Note:** Material designations must be made when ordering T.F. parts.

**Example:**

1. 8-FTX-S – Straight adapter, male SAE (JIC) 37° flare to male pipe (steel)



37° Tube Fitting part numbers use only one size or dash number for the following sizes: (2, 3, 4, 5, 6, 8, 10, 14). These sizes are transposed as hose numbers in the chart at right.

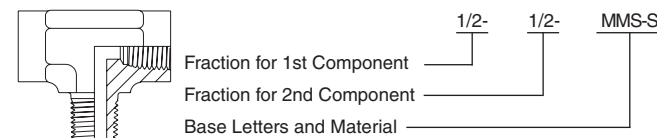
When ordering Tube Fitting Division pipe adapters, the size is expressed in complete fractions as 1/4" x 1/8".

The size sequences are the same as the Hose nomenclature but precede the base letters. A single size reference means that all ends are the same size and the fraction will only appear once.

TFD Flare	HPD Pipe Flare	
2	2	-2
3	2	-3
4	2	-4
5	2	-5
6	4	-6
8	6	-8
10	8	-10
14	12	-14

**Example:**

1/2-MMS-S – Female pipe tee with male pipe branch (steel).



## Ordering by Hose Division Part Number

Parker hose adapter part numbers are made up of three basic components:

**Base Number** — The base number indicates the thread styles and configuration of the adapter by combining the appropriate two digit end configuration numbers. A list of the most popular ends is shown on the following page.

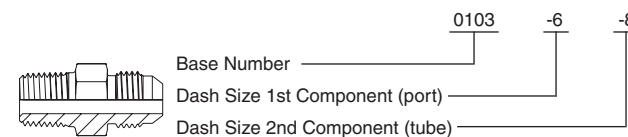
**Dash Size** — This is one or more numbers following the base number, used to indicate end sizes in sixteenths (1/16) of an inch. The first dash size refers to the first component of the base number and the second dash refers to the second component.

**Material Design** — Materials are indicated by a letter suffix added at the end of the part number according to the following code:

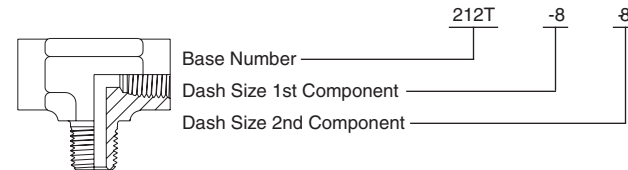
Steel (Zinc plated)	No suffix
Brass	B
Stainless Steel	C

**Examples:**

1. 0103-6-8 – Straight adapter, male pipe to male SAE (JIC) 37° flare (steel)



2. 212T-8-8 – Female pipe tee with male pipe branch (steel).



Dimensions and pressures are for reference only and are subject to change.

## How to Order Pneumatic Quick Couplings

### Checklist for Selecting Quick Couplings

- What are the functional requirements of the coupling?
- What is the maximum working pressure of the application?
- Which seals and body material are compatible with the system's fluid?
- Is the application static or dynamic?
- What size coupler is required?
- What is the maximum pressure drop suitable for the application?
- Does the application require the ability to connect and disconnect under pressure?
- What is the media temperature and ambient temperature?
- What end configurations are required?
- Is an industry interchange coupler required?
- Is air inclusion and fluid loss a concern in the application?

When ordering Parker coupler bodies and nipples, please state the part number of each type of coupler body and each type of nipple desired. List coupler bodies and nipples as separate items rather than in combinations. Be sure to double check thread or hose sizes of items required.

Many of Parker's coupling products are available with unique non-standard options well suited to very specific applications. Examples of unusual end use applications might include: high temperatures (above 250°F), extremely caustic/corrosive solutions passing through the coupling, external/environmental corrosion situations, or other high wear and tear situations such as dragging the product along the ground. It is always recommended that the Quick Coupling Division be contacted with any questions concerning specific product application needs.

Typically, a prefix or suffix is added to the base part number to specify a non-standard O-ring seal, or special option such as a sleeve lock. The list at right illustrates the designations.

**Please Note:** Certain couplings series have additional "Special Order Information" which should be referred to in ordering those products. If applicable to the product, "Special Order Information" is found next to the Features and Specifications charts in [Quick Coupling Division Catalog 3800](#).

### Coupling Material

#### Coupler

- Prefix "B" for Brass - available for 3/8 & 1/2" body sizes only
- Suffix "N" for Stainless Steel springs, locking balls and brass valves. (10, 20, 30, 50, and 70 series only)

#### Nipple

- Prefix "B" for Brass (Standard material is stainless steel)

Seals*	Material	Suffix
Standard	Buna-N	none
Optional	Ethylene Propylene	W
Optional	Viton	Y
Optional	Neoprene	Z

### Operation

- Suffix "SL" for coupler sleeve-lok (10, 20, 50, and 70 series only)
- Suffix "R" for grip-ring sleeve (10, 20, 50, and 70 series only)

\*To help select proper materials, contact your Parker Quick Coupling Distributor.



## How to Order Hydraulic Quick Couplings

When ordering Parker coupler bodies and nipples, please state the part number of each type of coupler body and each type of nipple desired. List coupler bodies and nipples as separate items rather than in combinations. Be sure to double check thread or hose sizes of items required.

Many of Parker's coupling products are available with unique non-standard options well suited to very specific applications. Examples of unusual end use applications might include: high temperatures (above 250°F), extremely caustic/corrosive solutions passing through the coupling, external/environmental corrosion situations, or other high wear and tear situations such as dragging the product along the ground. It is always recommended that the Quick Coupling Division be contacted with any questions concerning specific product application needs.

Typically, a prefix or suffix is added to the base part number to specify a non-standard O-ring seal, or special option such as a sleeve lock. The list at right illustrates the designations.

**Please Note:** Certain couplings series have additional "Special Order Information" which should be referred to in ordering those products. If applicable to the product, "Special Order Information" is found next to the Features and Specifications charts in [Quick Coupling Division Catalog 3800](#).

Coupling Material	
<b>Coupler</b>	<ul style="list-style-type: none"> <li>Prefix "B" for Brass – available for 3/8" &amp; 1/2" body sizes only</li> <li>Suffix "N" for Stainless Steel springs, locking balls and brass valves. (10, 20, 30, 50, and 70 series only)</li> </ul>
<b>Nipple</b>	<ul style="list-style-type: none"> <li>Prefix "B" for Brass (Standard material is steel)</li> </ul>

Seals*	Material	Suffix
Standard	Buna-N	none
Optional	Ethylene Propylene	W
Optional	Viton	Y
Optional	Neoprene	Z

Operation	
	<ul style="list-style-type: none"> <li>Suffix "SL" for coupler sleeve-lok (10, 20, 50, and 70 series only)</li> <li>Suffix "R" for grip-ring sleeve (10 and 20 series only)</li> </ul>

\*To select proper seal materials, see [Fluid Compatibility Chart](#) in Section O or contact your Parker Quick Coupling Distributor.

# How to Order Brass Fittings

Brass Fittings are ordered by part number. Part numbers identify the style and size of the fitting as shown below. The first series of numbers and letters identifies the style and type fitting. The second series of numbers describes the size. Tube sizes are determined by the numbers of sixteenths of an inch in the tube OD.

**Example:** 269NTA-6-4

Special Prefix	Style	Type			Special Suffix	Size	Size
	Material Code (Shapes)	Category Designation	Category Designation	Series Code			
NI Nickel Plating TP Thread Protectors Male Threads VS Vibra-Seal W White Thread Sealant	1 Forging 2 Extrusion 3 Composite	0 Sleeve 1 Nut 63 Tube Support 7 Cross	22/42/62 26/46/66 24/44/64 42/52/62 45 48/58/68 49/69 50/70 51/71 55/65 56/76 59/79 72 77	Union Straight Female Connector Union Tee Union Elbow Male Branch Tee Male Connector 90° Male Elbow Female Elbow Male Run Tee Union Elbow Adapter Tee 45° Male Elbow Male Branch Tee Female Branch Tee			Range of sizes in sixteenths of an inch
	Duple-Barb 20s – 30s 45° Flare (F/IF) 40s – 50s Compress/Push-In 60s – 70s (AB, CA, NTA, P, PL, PMT, PTC, VL) Pipe Adapter 200 – 2000 Side Latch/ Needle Valve 300			AB Air Brake C Compression CA Compress-Align F 45° Flare GH Garden Hose HB Hose Barb IF Inverted Flare HD Hi-Duty PTC Composite Air Brake P Pipe/Poly-Tite PLP Prestolok PMT Prestomatic w/Tube Support RB Reusable Brake Hose VL Vibra-Lok NTA Nylon Tube *Dubl-Barb Numeric Only		AC Anchor Coupling B Body Only BH Bulkhead D Disconnect DE Drop-Ear Elbow GT Dubl-Barb Tool HD Heavy Duty L Long Nut N Close Nipple NL Long Nipple NS Non-Swivel PB Poly-Tite Brass Sleeve PH Pin Handle PT Plastic Compression Sleeve Tube Support S Short Nut/Steel Nut SV Swivel UL Underwriter's Laboratory Listing V Viton Sleeve X Special Nut	

Dimensions and pressures are for reference only and are subject to change.