

# CGP-P11 Pump Mounting Bolt Kits

We are publishing this bulletin to update everyone on the proper bolt kits for the CGP-P11 pumps used with 247 & 248 Series Power Take-Offs (P.T.O.s)

It is important to use the proper bolts and washers called out in the owner's manuals to ensure that the pump bolts have full thread engagement with the P.T.O. Failure to Install and Torque bolts to the correct specifications may result in poor pump performance and/or premature failure.

These charts should also help to use up any existing inventory you may have of pumps missing bolt kits or bolt kits not matched up with pumps.

All pumps listed are current product offerings from Chelsea. Refer to Chelsea application pages FRD-9 and FRD-10 for complete pump performance information.

**Chelsea CGP-P11 Series Pump Bolt Specifications - 247 Series**

| Order Code | Chelsea Pump Model | Pump Tag Number | Pump Mounting Kit | Bolt Number 2 per Pump | Bolt Size        | Flat Washer (Qty) |
|------------|--------------------|-----------------|-------------------|------------------------|------------------|-------------------|
| 16         | CGP-P11A016-5FC    | 334 9110 027    | 329418-1X         | 378431-30              | .375"-16 x 4.00" | 500365-26 (2)     |
| 26         | CGP-P11A026-5FC    | 334 9110 028    | 329418-2X         | 378431-31              | .375"-16 x 4.25" | 500365-26 (2)     |
| 32         | CGP-P11A032-5FC    | 334 9110 068    | 329418-3X         | 378431-32              | .375"-16 x 4.50" | 500365-26 (2)     |
| 37         | CGP-P11A037-5FC    | 334 9110 029    | 329418-3X         | 378431-32              | .375"-16 x 4.50" | 500365-26 (2)     |
| 42         | CGP-P11A042-5FC    | 334 9110 030    | 329418-4X         | 378431-33              | .375"-16 x 4.75" | 500365-26 (4)     |
| 55         | CGP-P11A055-5FC    | 334 9110 031    | 329418-5X         | 378431-34              | .375"-16 x 5.00" | 500365-26 (4)     |
| 61         | CGP-P11A061-5FE    | 334 9110 097    | 329418-9X         | 378431-35              | .375"-16 x 5.25" | 500365-26 (4)     |
| 71         | CGP-P11A071-5FE    | 334 9110 098    | 329418-10X        | 378431-36              | .375"-16 x 5.50" | 500365-26 (4)     |
| 82         | CGP-P11A082-5FE    | 334 9110 099    | 329418-8X         | 378431-36              | .375"-16 x 5.50" | 500365-26 (2)     |
| 87         | CGP-P11A087-5FE    | 334 9110 100    | 329665-7X         | 378431-37              | .375"-16 x 5.75" | 500365-26 (2)     |

NOTE: Torque Pump Mounting Bolts between 35-38 Lbs.ft [48-52 N.m]

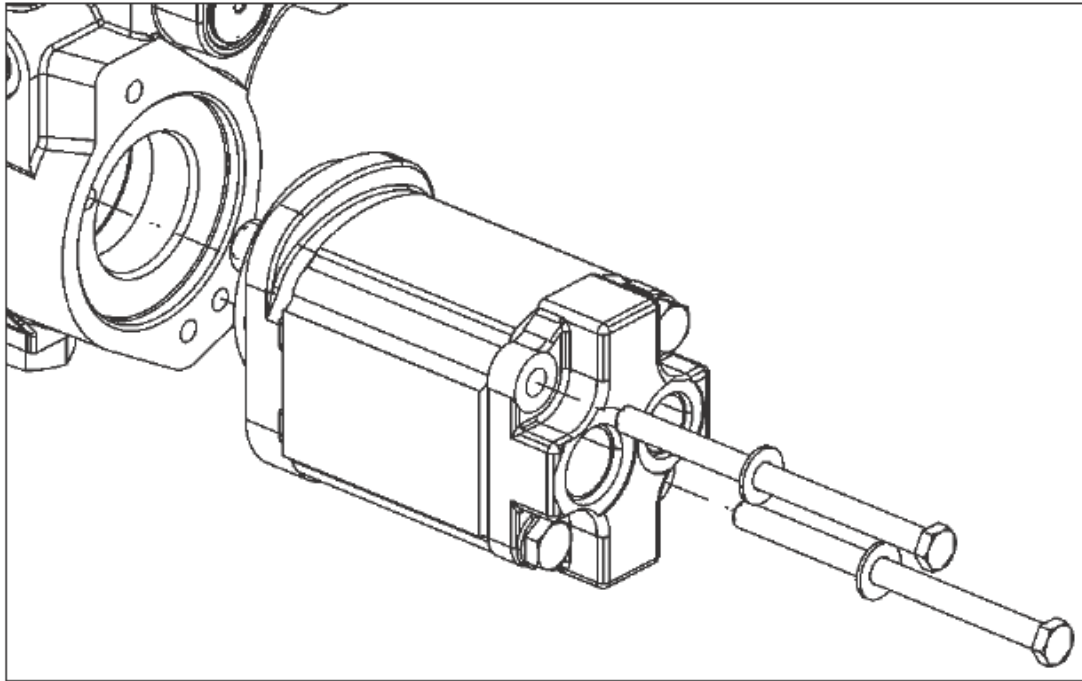
**Chelsea CGP-P11 Series Pump Bolt Specifications - 248 Series**

| Order Code | Chelsea Pump Model | Pump Tag Number | Pump Mounting Kit | Bolt Number 2 per Pump | Bolt Size        | Flat Washer (Qty) |
|------------|--------------------|-----------------|-------------------|------------------------|------------------|-------------------|
| 16         | CGP-P11A016-5GC    | 334 9110 027    | 329418-2X         | 378431-31              | .375"-16 x 4.25" | 500365-26 (2)     |
| 26         | CGP-P11A026-5GC    | 334 9110 028    | 329418-3X         | 378431-32              | .375"-16 x 4.50" | 500365-26 (2)     |
| 32         | CGP-P11A032-5GC    | 334 9110 068    | 329665-3X         | 378431-33              | .375"-16 x 4.75" | 500365-26 (2)     |
| 37         | CGP-P11A037-5GC    | 334 9110 029    | 329665-3X         | 378431-33              | .375"-16 x 4.75" | 500365-26 (2)     |
| 42         | CGP-P11A042-5GC    | 334 9110 030    | 329418-6X         | 378431-34              | .375"-16 x 5.00" | 500365-26 (2)     |
| 55         | CGP-P11A055-5GC    | 334 9110 031    | 329418-7X         | 378431-35              | .375"-16 x 5.25" | 500365-26 (2)     |
| 61         | CGP-P11A061-5GE    | 334 9110 097    | 329418-8X         | 378431-36              | .375"-16 x 5.50" | 500365-26 (2)     |
| 71         | CGP-P11A071-5GE    | 334 9110 098    | 329665-7X         | 378431-37              | .375"-16 x 5.75" | 500365-26 (2)     |
| 82         | CGP-P11A082-5GE    | 334 9110 099    | 329665-8X         | 378431-38              | .375"-15 x 6.00" | 500365-26 (2)     |
| 87         | CGP-P11A087-5GE    | 334 9110 100    | 329665-8X         | 378431-38              | .375"-15 x 6.00" | 500365-26 (2)     |

NOTE: Torque Pump Mounting Bolts between 35-38 Lbs.ft [48-52 N.m]

OVER

**NOTE:** Each Chelsea P.T.O. that features a female pump shaft will include a packet of lubricant (part number 379688). Apply this to the male end of the pump shaft before installing the pump to the P.T.O.



If you have questions about this bulletin or other technical questions, contact us at:

US: Chelsea Customer/Technical Services at **1-888-PH4-TRUK** (1-888-744-8785) or Fax 662.895.1069

Canada: Parker Hannifin Canada 905-693-3020

A handwritten signature in cursive script that reads "Walt Harris".

Walt Harris  
Product Sales Manager  
Chelsea Products