

Chelsea® 340 Series

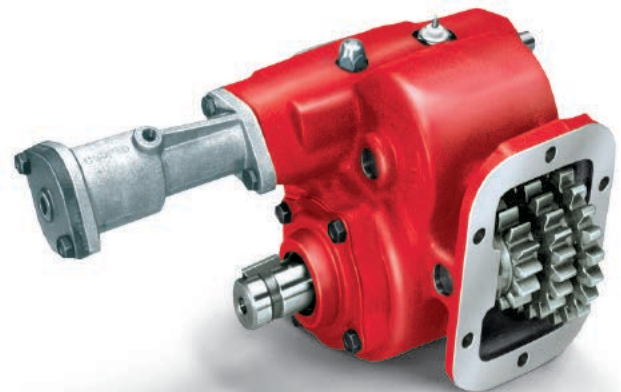
One Speed Forward and Reverse
Mechanical PTO



Overview:

The Chelsea 340 Series PTO is another example of why Chelsea PTO technology is the best in the business. This economical workhorse features a cast iron housing and heavy duty ball bearing on the output shaft, giving it a high torque rating and long service life. Chelsea was the first to provide you with an Air shifted forward and reverse speed PTO. Its flexible Air shift design allows you to mount the air shift cylinder in the best position for maximum clearance. Torque ratings up to 200 lbs-ft make this one versatile PTO. Take advantage of over 65 years of Chelsea PTO technology to increase performance and lower costs.

- Oil Fields
- Logging



Contact Information:

Parker Hannifin Corporation
Chelsea Products Division
8225 Hacks Cross Road
Olive Branch, MS 38654 USA

Phone: 1-888-PH4-TRUK
(1-888-744-8785)

Fax: 1-662-895-1069
chelseacustserv@parker.com

www.parker.com/chelsea

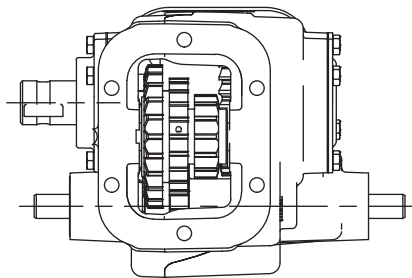
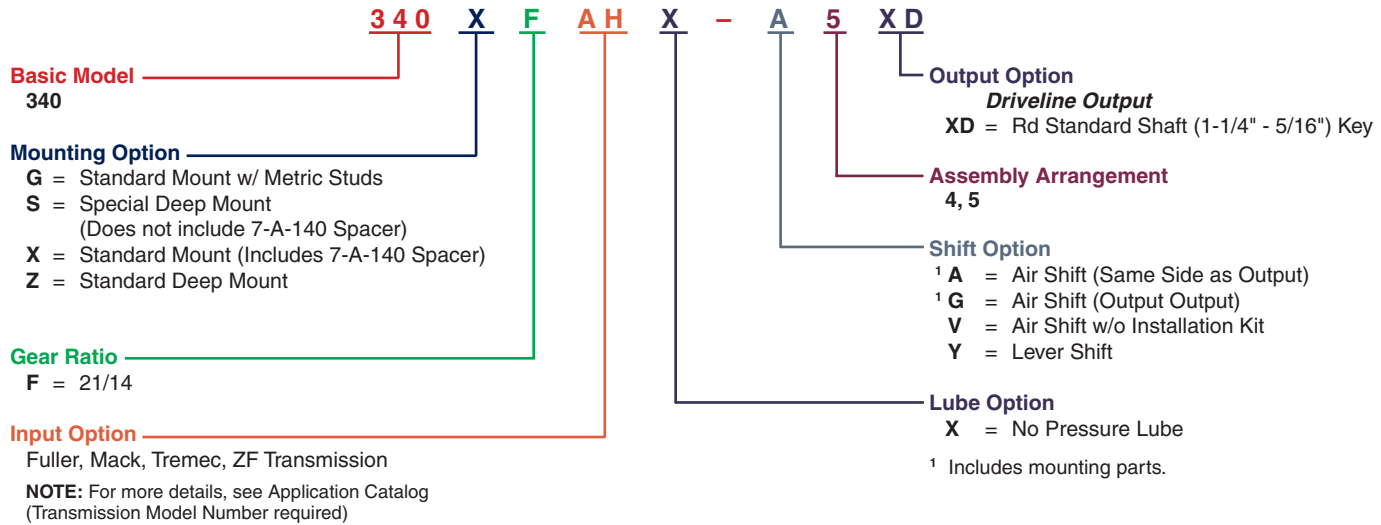
Product Features and Benefits:

- **Speed** – Single low-speed forward and reverse
- **Backlash** – Removable cover plate for adjusting
- **Shift Options** – Air and Lever
- **Input Gears** – Cover most applications
- **Mounting** – 6-Bolt
- **Confidence** – Two Year Warranty

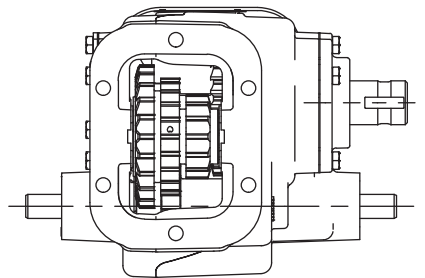


ENGINEERING YOUR SUCCESS.

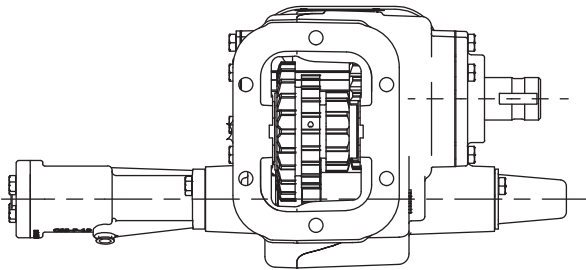
340 SERIES POWER TAKE-OFF SPECIFICATIONS AND TECHNICAL DATA



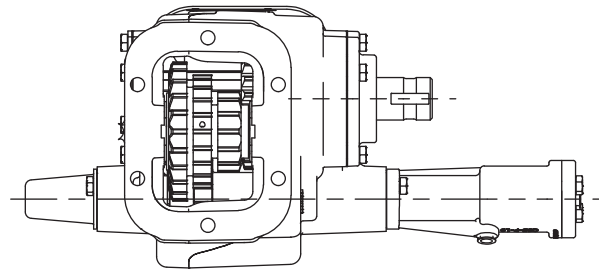
4 Assembly



5 Assembly



Shift Type G
5 Assembly Shown



Shift Type A
5 Assembly Shown

Specifications Chart	Approximate Weight: 32 lbs. [15 kg]
	340*F
Intermittent Torque Rating (lbs-ft) [Nm]	200 [271]
HP Rating for Intermittent Service	
At 500 RPM of Output Shaft (HP) [Kw]	19 [14]
At 1000 RPM of Output Shaft (HP) [Kw]	38 [28]

© 2020 Parker Hannifin Corporation

Supersedes HY25-0106-B1/US July 2015 HY25-0106-B1/US April 2020



ENGINEERING YOUR SUCCESS.