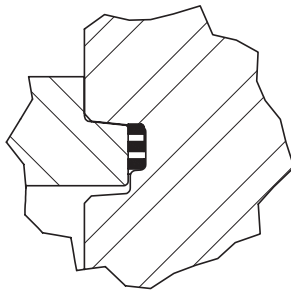


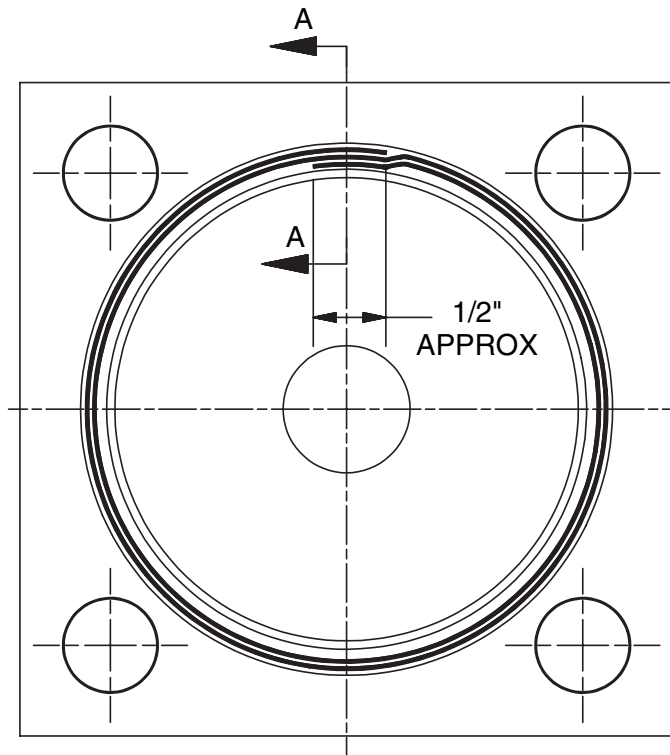
## Installation of Miller “SHEF” Tubing End Seal in MH Series Cylinders

“SHEF” seal is a rectangular strip of PTFE sealing material already cut to length for various bore sizes of MH Series Cylinders. It replaces the continuous ring PTFE seal supplied as original equipment. Installation of the seal is simple and is accomplished as follows.

1. Apply grease to the tubing groove of cylinder head or cap.
2. Coil the PTFE strip on its narrow edge into the greased tubing groove. The strip should make two complete revolutions plus about  $\frac{1}{2}$ " overlap, and be snugly against the O.D. of the groove.



Section A-A  
Showing “SHEF Seal”  
Tubing and Seal



For convenience of demonstration, the illustrations exaggerate the space between the SHEF Seal coils that actually hug each other closely when fitted into the tubing groove.