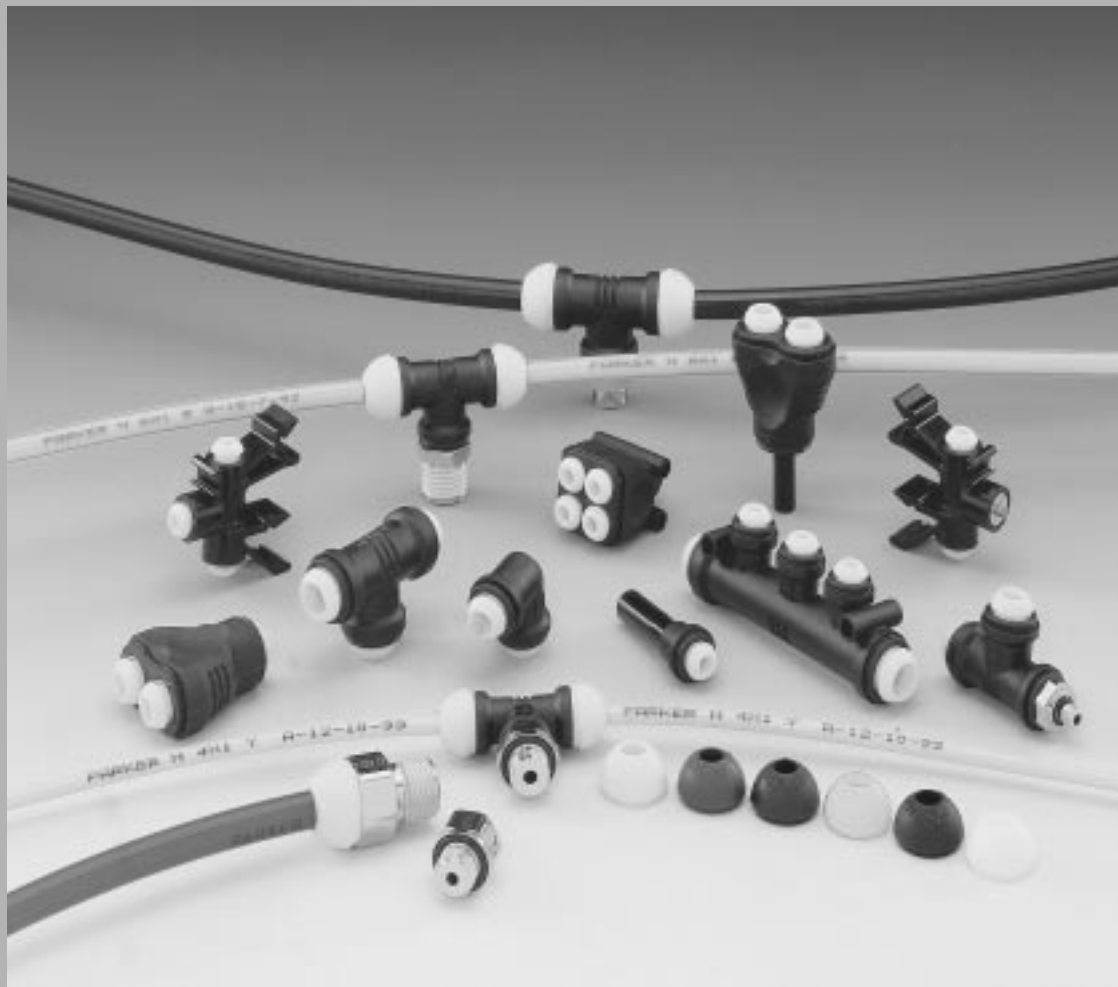


Prestolok 2

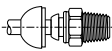
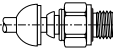
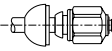
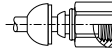
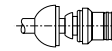
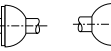
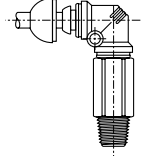
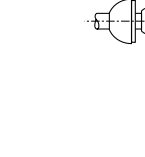
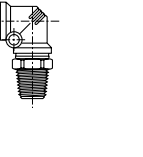
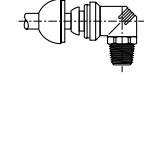
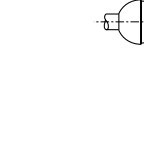
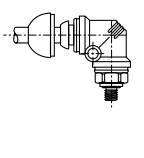
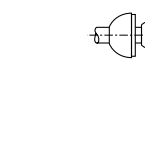
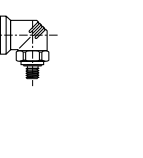
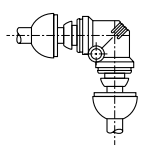
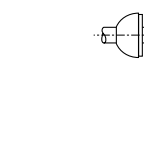
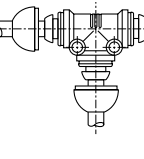
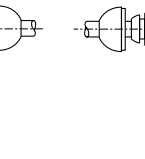
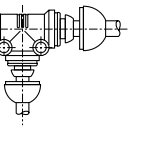
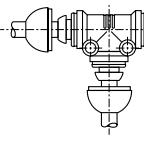
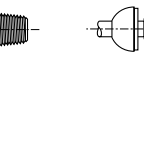
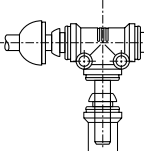
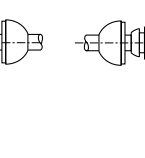
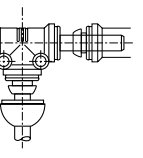
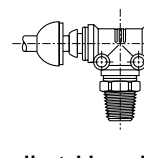
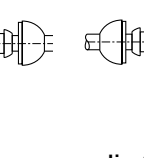
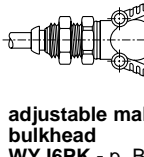
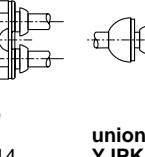
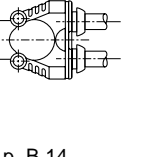
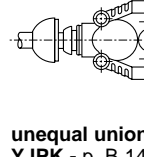
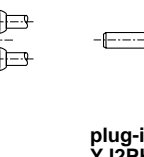
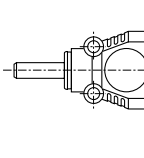
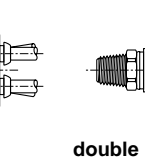
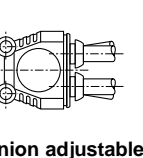
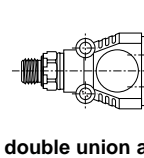
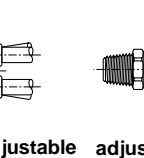
Push-in fitting

Catalogue 3528-2-UK



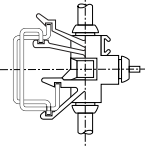
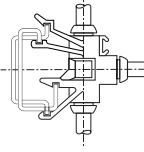
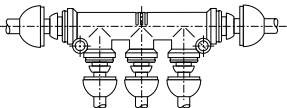
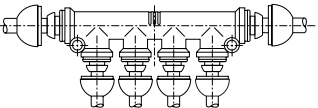
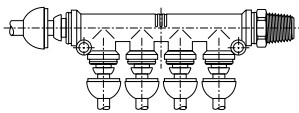
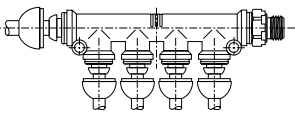


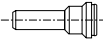
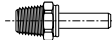
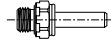
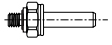
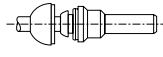
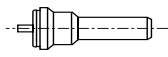
Prestolok 2 push-in fitting

Index

Straight connectors	 <p>male - BSPT F3PB - p. B 6</p>	 <p>male - BSPP F4PB - p. B 6</p>	 <p>male - metric F8PB - p. B 7</p>	 <p>female - BSPP G4PB - p. B 7</p>	 <p>union HPK - p. B 7</p>	 <p>unequal union HPK - p. B 7</p>
90° elbows	 <p>adjustable extended male - BSPT C63LPK - p. B 8</p>	 <p>adjustable male - BSPT C63PK - p. B 8</p>	 <p>compact adjustable male - BSPT C63SPK - p. B 8</p>	 <p>adjustable male BSPP C64PK - p. B 9</p>	 <p>compact adjustable male - BSPP C64SPK - p. B 9</p>	
	 <p>adjustable male - metric C68PK - p. B 9</p>	 <p>compact adjustable male - metric C68SPK - p. B 9</p>	 <p>union EPK - p. B 10</p>	 <p>compact plug-in T2ESPK - p. B 10</p>	 <p>adjustable bulkhead union WE6PK - p. B 10</p>	
Tees	 <p>union JPK - p. B 10</p>	 <p>unequal union JPK - p. B 11</p>	 <p>adjustable male run - BSPT R63PK - p. B 11</p>	 <p>adjustable male run - BSPP R64PK - p. B 11</p>	 <p>adjustable male run - metric R68PK - p. B 12</p>	
	 <p>plug-in branch T2JPK - p. B 12</p>	 <p>plug-in run T2JJPK - p. B 12</p>	 <p>adjustable male branch - BSPT S63PK - p. B 13</p>	 <p>adjustable male branch - BSPP S64PK - p. B 13</p>	 <p>adjustable male branch - metric S68PK - p. B 13</p>	
Y connectors	 <p>adjustable male bulkhead WYJ6PK - p. B 14</p>	 <p>union YJPK - p. B 14</p>	 <p>unequal union YJPK - p. B 14</p>	 <p>plug-in YJ2PK - p. B 14</p>	 <p>double union YJ5PK - p. B 14</p>	
	 <p>plug-in double YJ52PK - p. B 15</p>	 <p>double union adjustable male - BSPT YJ563PK - p. B 15</p>	 <p>double union adjustable male - BSPP YJ564PK - p. B 15</p>	 <p>adjustable male BSPT YJ63PK - p. B 15</p>	 <p>adjustable male BSPP YJ64PK - p. B 15</p>	

Prestolok 2 push-in fitting

Index

Manifolds	 2 tubes and pressure indicator HS3PK - p. B 16	 3 tubes J3PK - p. B 16	 multiple tee J5PK - p. B 17	 multiple tee J6PK - p. B 17		
	 multiple tee adjustable male - BSPT J663PK - p. B 17	 multiple tee adjustable male - BSPP J664PK - p. B 17				
Adaptors / Accessories	 protective cap C - p. B 18	 double male union BPK - p. B 19	 plug FNPK - p. B 19	 Tube end male adaptor - BSPT T23FPK - p. B 19	 Tube end male adaptor - BSPP T24FPK - p. B 19	 Tube end male adaptor - metric T28FPK - p. B 20
	 tube end reducer TR2PK - p. B 20	 pressure indicator TS2PK - p. B 20				
Cartridges	p. B 21 and B 22					
Complementary parts with brass body	Please consult Prestolok section (D)					
Technical tubing	Please consult Thermoplastic single tubes and Pneumo-Tube bundles section (P)					

B

Prestolok 2 push-in fitting

Prestolok 2 : push-in fitting for pneumatic applications

Principle

For a number of years Parker Hannifin has designed and manufactured push-in fittings recognised worldwide for their quality and reliability.

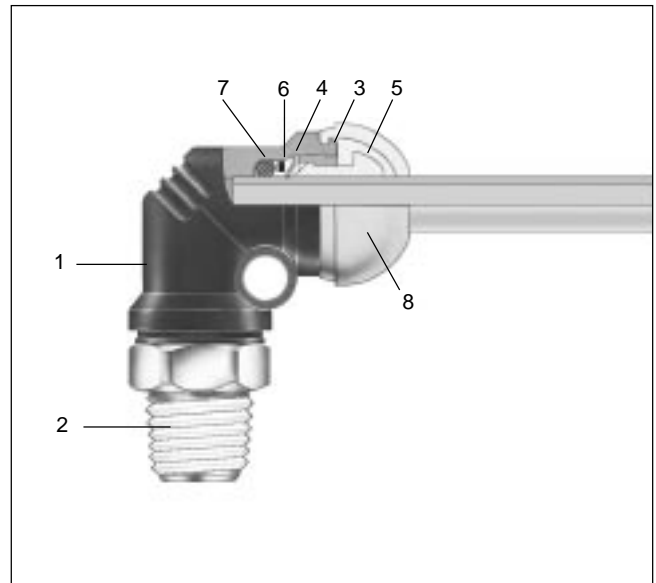
The new generation Prestolok 2 has been developed to provide even better technical features for the end user.

With this additional new product, Parker provides the solutions in many fields and applications.

Prestolok 2 uses “elastic teeth” grab ring technology, invented and perfected by Parker, who guarantee its excellent tube retention qualities.

Prestolok 2 can be used with most types of plastic tubing available on the market (see Thermoplastic single tube and Pneumo-Tube bundles section - P*), offering significant advantages to the user.

* For other materials, please consult us.

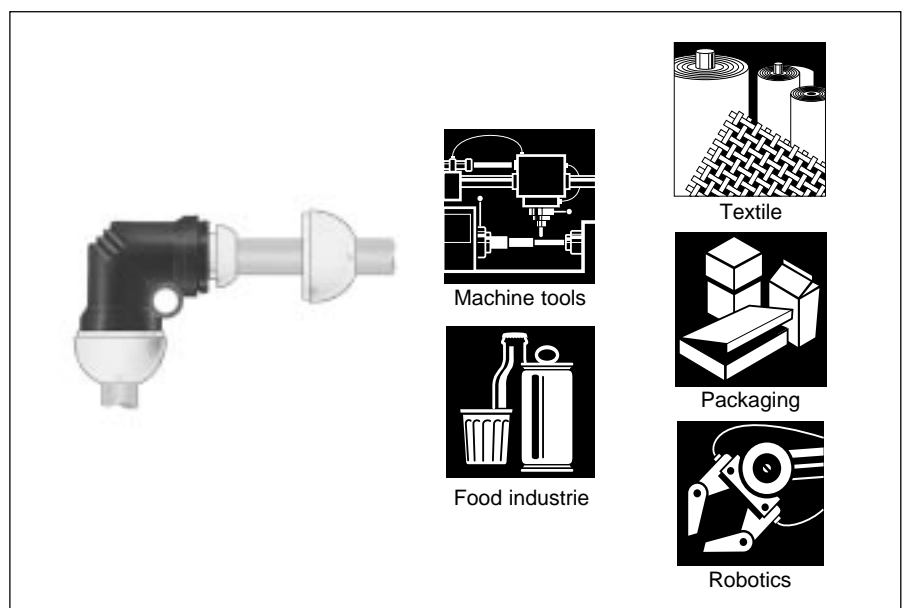


Technical features

1	2	Material						Working pressure	Working temperature
		3	4	5	6	7	8		
Body	Threaded straight connectors	Sleeve	Grab ring	Push button	Back-up washer	O-ring	Protective cap	From 0.01 to 18 bar	From - 25° C to + 80° C
Polyamide HR	Nickel plated brass	Nickel plated brass	Stainless steel	Polyacetal	Brass	Nitrile	Polyacetal		

Applications

Perfectly adapted for use with pneumatic systems in a large variety of industries, Prestolok 2 is also designed to handle many other fluids (please consult us) thus covering a wide range of applications.

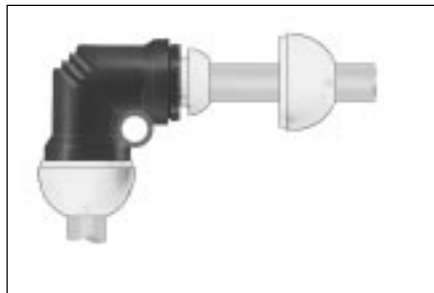


Advantages

Ready-to-use compact fitting

Wide product range covering all applications

Full flow capability



Protective cap

The design of the Prestolok 2 thermoplastic range permits the use of a protective cap for following functions :

- protection : prevents the ingress of dirt into the connection system,
- safety: eliminates the risk of accidental disconnection, as the push-button is made inaccessible,
- identification :
 - colour coding allows identification of fluid lines,
 - tube sizes are marked on the protective cap.



High resistance polyamide body

The use of UV-resistant reinforced polyamide provides :

- weight saving,
- excellent mechanical performance,
- compact design.

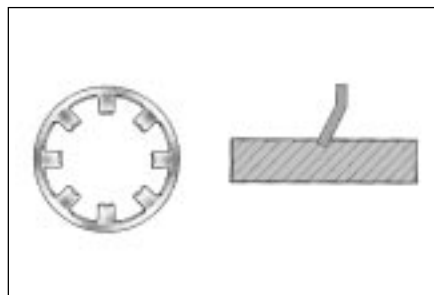
The three grooves facilitate handling and positioning of elbows and tees. A long service life is ensured by the corrosion free body material.



Ready-to-use fitting

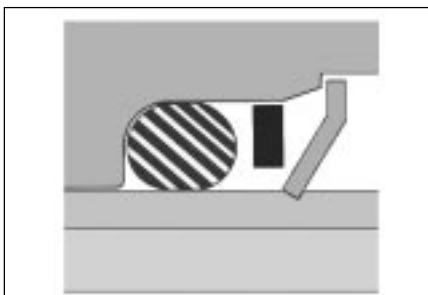
The Prestolok 2 range is manufactured with brass nickel plated male threads ready for use :

- parallel threads are supplied with a pre-assembled, fully retained O-ring seal,
- taper threads are treated with a special PTFE for self sealing on assembly, reusable up to five times without additional sealing material.



Positive hold by a flexible grab ring

- the special shape of the radial teeth grab ring prevents longitudinal scratch marks on the tube.
- the elasticity of the grab ring absorbs vibration and pulsating pressure.
- a twist-free assembly, the tube can rotate freely even under pressure.



Positive O-ring sealing

- the smooth unmarked tube is in direct contact with the nitrile O-ring, giving a positive seal.
- a unique back-up washer retains the O-ring in the optimum sealing position, protects it from the grab ring, and prevents extrusion under pressure.



Plastic push button

- simple manual pressure on the user friendly push button allows instant disconnection of the tube.
- tube sizes are marked on the push button for easy identification.

How to use

Assembly

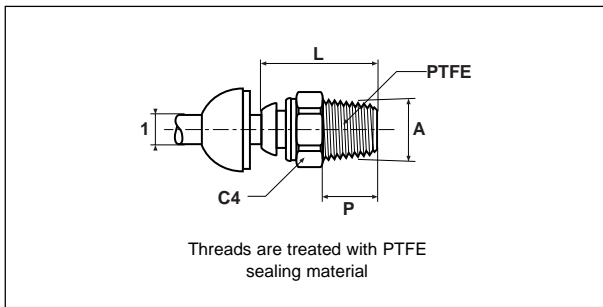
- Cut the tube square.
- Insert the tube into the fitting until it bottoms.

Disassembly

- Simply press on the push button and withdraw the tube

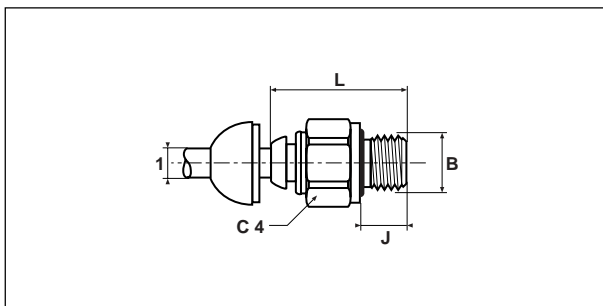
Prestolok 2 push-in fitting

F3PB - Male connector - BSPT



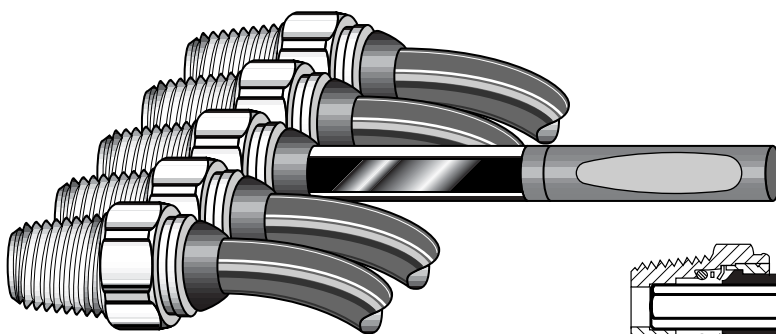
1	A	Part number	C4	L	P	H. Int.	Weight g.
4	1/8	F3PB4-1/8	12	20.5	7.5	3	14
4	1/4	F3PB4-1/4	14	23.0	11.0	3	21
5	1/8	F3PB5-1/8	11	22.5	7.5	4	13
5	1/4	F3PB5-1/4	14	24.0	11.0	4	17
6	1/8	F3PB6-1/8	14	24.0	7.5	4	19
6	1/4	F3PB6-1/4	14	24.0	11.0	4	22
8	1/8	F3PB8-1/8	17	28.0	7.5	4	31
8	1/4	F3PB8-1/4	17	28.5	11.0	4	31
8	3/8	F3PB8-3/8	17	26.5	11.5	6	28
10	1/4	F3PB10-1/4	19	35.5	11.0	6	45
10	3/8	F3PB10-3/8	19	33.0	11.5	8	48
10	1/2	F3PB10-1/2	22	31.0	15.0	8	47
12	1/4	F3PB12-1/4	22	36.5	11.0	6	68
12	3/8	F3PB12-3/8	22	36.0	11.5	10	48
12	1/2	F3PB12-1/2	22	36.0	15.0	10	56
14	3/8	F3PB14-3/8	24	39.0	11.5	10	91
14	1/2	F3PB14-1/2	24	37.0	15.0	11	83

F4PB - Male connector - BSPP

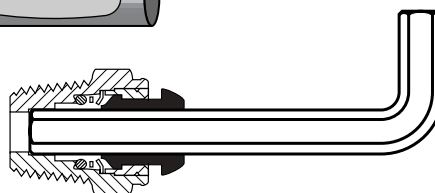


1	B	Part number	C4	J	L	H. Int.	Weight g.
4	1/8	F4PB4-1/8	13	6	21.7	3	16
4	1/4	F4PB4-1/4	16	9	23.3	3	27
6	1/8	F4PB6-1/8	13	6	25.3	4	17
6	1/4	F4PB6-1/4	16	9	26.0	4	41
8	1/8	F4PB8-1/8*	14	6	27.4	4	24
8	1/4	F4PB8-1/4	16	9	27.4	6	29
8	3/8	F4PB8-3/8	20	9	28.0	6	59
10	1/4	F4PB10-1/4	17	9	35.4	6	50
10	3/8	F4PB10-3/8	20	9	31.4	8	39
10	1/2	F4PB10-1/2	24	12	30.3	8	60
12	1/4	F4PB12-1/4	20	9	36.0	6	49
12	3/8	F4PB12-3/8*	20	9	35.7	8	49
12	1/2	F4PB12-1/2	24	12	34.1	10	72
14	3/8	F4PB14-3/8	22	9	38.3	8	66
14	1/2	F4PB14-1/2	24	12	37.4	10	81

* no protective cap facility

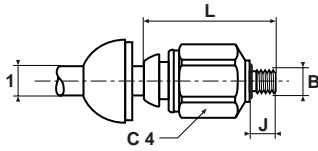


All straight male connectors have an internal hexagon for use with an Allen key to allow the fitting to be mounted in any position. This also permits close porting not possible when a spanner is used.



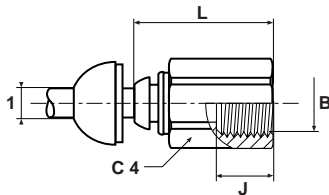
Prestolok 2 push-in fitting

F8PB - Male connector - metric straight thread



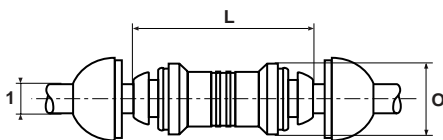
1	B	Part number	C4	J	L	H. Int.	Weight g.
4	M5x0.8	F8PB4M5	12	5	25.5	2.5	16
4	M10x1	F8PB4M10	14	8	24.0	3.0	17
6	M5x0.8	F8PB6M5	14	5	26.0	2.5	17
6	M10x1	F8PB6M10	14	8	28.0	4.0	17
6	M12x1.5	F8PB6M12	17	10	30.0	4.0	23
8	M12x1.5	F8PB8M12	17	10	30.0	6.0	25
8	M16x1.5	F8PB8M16	22	10	28.0	6.0	34
8	M22x1.5	F8PB8M22	27	12	30.0	6.0	55

G4PB - Female connector - BSPP



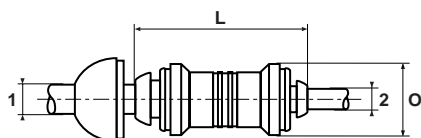
1	B	Part number	C4	J	L	Weight g.
4	1/8	G4PB4-1/8	14	9.5	26.0	22
6	1/8	G4PB6-1/8	14	9.5	27.5	21
6	1/4	G4PB6-1/4	17	14.0	33.0	22
8	1/8	G4PB8-1/8	17	9.5	29.0	44
8	1/4	G4PB8-1/4	17	14.0	33.0	29

HPK - Equal union



1	Part number	L	O	Weight g.
4	HPK4	33.5	13	5
6	HPK6	37.0	15	6
8	HPK8	39.0	17	10
10	HPK10	48.0	21	15
12	HPK12	49.0	23	21
14	HPK14	54.0	25	30

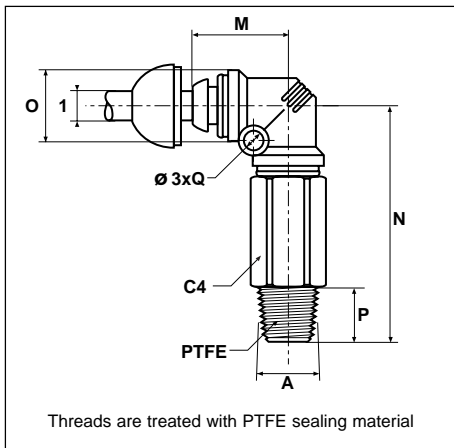
HPK - Unequal union



1	2	Part number	L	O	Weight g.
6	4	HPK6-4	36.0	15	8
8	4	HPK8-4	38.0	17	14
8	6	HPK8-6	39.0	17	12
10	6	HPK10-6	47.0	21	21
10	8	HPK10-8	47.0	21	19
12	10	HPK12-10	49.5	23	26

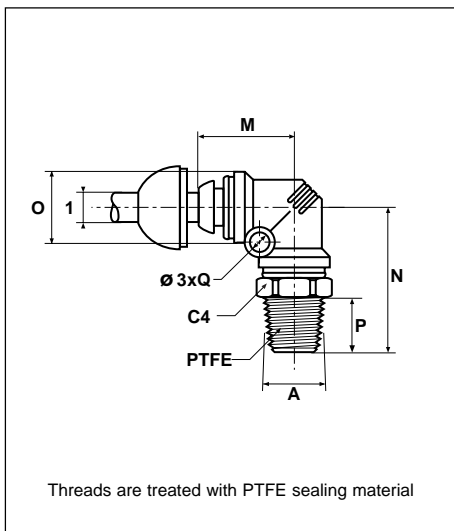
Prestolok 2 push-in fitting

C63LPK - Adjustable extended male elbow - BSPT



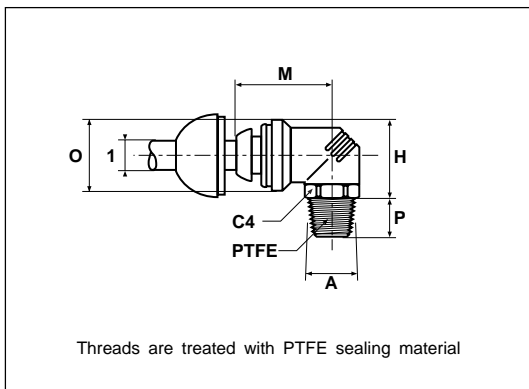
1	3 dia.	A	Part number	C4	M	N	O	P	Width Q	Weight g.
4	3.2	1/8	C63LPK4-1/8	10	18.0	41.0	13	7.5	15	22
4	3.2	1/4	C63LPK4-1/4	14	18.0	45.0	13	11.0	15	46
6	4.2	1/8	C63LPK6-1/8	11	20.5	45.0	15	7.5	17	28
6	4.2	1/4	C63LPK6-1/4	14	20.5	49.0	15	11.0	17	48
8	4.2	1/8	C63LPK8-1/8	14	22.5	49.5	17	7.5	19	46
8	4.2	1/4	C63LPK8-1/4	14	22.5	52.0	17	11.0	19	51

C63PK - Adjustable male elbow - BSPT



1	3 dia.	A	Part number	C4	M	N	O	P	Width Q	Weight g.
4	3.2	1/8	C63PK4-1/8	10	18.0	25.5	13	7.5	15.0	12
4	3.2	1/4	C63PK4-1/4	14	18.0	29.0	13	11.0	15.0	20
6	4.2	1/8	C63PK6-1/8	11	20.5	27.0	15	7.5	17.0	13
6	4.2	1/4	C63PK6-1/4	14	20.5	30.5	15	11.0	17.0	23
8	4.2	1/8	C63PK8-1/8	14	22.5	29.5	17	7.5	19.0	20
8	4.2	1/4	C63PK8-1/4	14	22.5	32.5	17	11.0	19.0	27
8	4.2	3/8	C63PK8-3/8	17	22.5	34.0	17	11.5	19.0	38
10	4.2	1/4	C63PK10-1/4	17	28.5	40.0	21	11.0	23.5	37
10	4.2	3/8	C63PK10-3/8	17	28.5	39.0	21	11.5	23.5	43
10	4.2	1/2	C63PK10-1/2	22	28.5	42.0	21	15.0	23.5	63
12	4.2	1/4	C63PK12-1/4	19	30.0	41.5	23	11.0	25.5	55
12	4.2	3/8	C63PK12-3/8	19	30.0	41.0	23	11.5	25.5	59
12	4.2	1/2	C63PK12-1/2	22	30.0	44.5	23	15.0	25.5	68
14	4.2	3/8	C63PK14-3/8	22	33.5	45.5	25	11.5	27.5	68
14	4.2	1/2	C63PK14-1/2	22	33.5	48.0	25	15.0	27.5	78

C63SPK - Compact adjustable male elbow - BSPT



1	A	Part number	C4	H	M	O	P	Weight g.
4	1/8	C63SPK4-1/8	10	14.5	20.5	13	6.5	9
4	1/4	C63SPK4-1/4	14	14.5	20.5	13	10.0	18
6	1/8	C63SPK6-1/8	11	16.5	23.0	15	6.5	14
6	1/4	C63SPK6-1/4	14	16.0	23.0	15	10.0	21
8	1/8	C63SPK8-1/8	14	19.5	25.0	17	6.5	15
8	1/4	C63SPK8-1/4	14	18.5	25.0	17	10.0	25
8	3/8	C63SPK8-3/8	17	18.5	25.0	17	10.0	28
10	1/4	C63SPK10-1/4	17	23.0	31.0	21	10.0	30
10	3/8	C63SPK10-3/8	17	22.5	31.0	21	10.0	36
10	1/2	C63SPK10-1/2	22	24.0	31.0	21	12.5	45

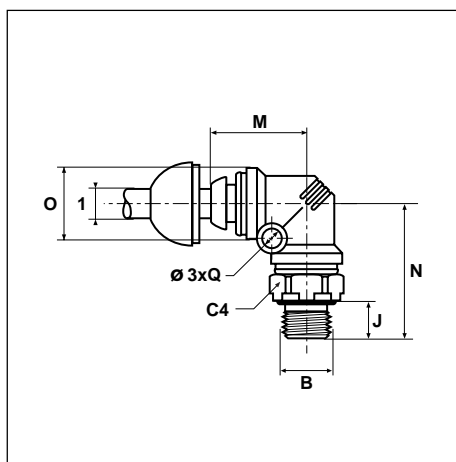
Our fittings are supplied without cap. See page-B 18

For product availability please consult our price list 0093-UK.

Dimensions shown may be changed at any time without prior notice.

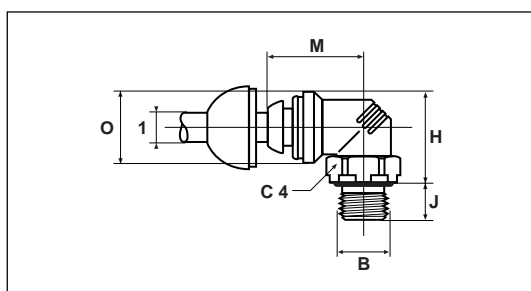
Prestolok 2 push-in fitting

C64PK - Adjustable male elbow - BSPP



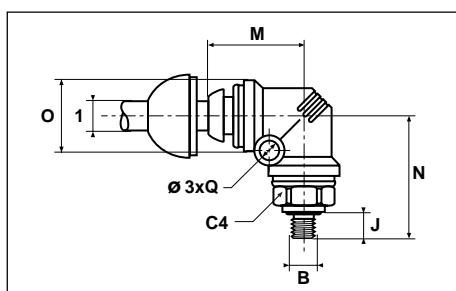
1	3 dia.	B	Part number	C4	J	M	N	O	Width Q	Weight g.
4	3.2	1/8	C64PK4-1/8	14	6	18.0	25.5	13	15.0	16
4	3.2	1/4	C64PK4-1/4	19	9	18.0	30.5	13	15.0	31
6	4.2	1/8	C64PK6-1/8	14	6	20.5	27.0	15	17.0	18
6	4.2	1/4	C64PK6-1/4	19	9	20.5	32.0	15	17.0	29
8	4.2	1/8	C64PK8-1/8	14	6	22.5	29.0	17	19.0	22
8	4.2	1/4	C64PK8-1/4	19	9	22.5	34.0	17	19.0	35
8	4.2	3/8	C64PK8-3/8	22	9	22.5	35.0	17	19.0	49
10	4.2	1/4	C64PK10-1/4	19	9	28.5	39.0	21	23.5	45
10	4.2	3/8	C64PK10-3/8	22	9	28.5	40.0	21	23.5	60
12	4.2	1/4	C64PK12-1/4	19	9	30.0	40.5	23	25.5	56
12	4.2	3/8	C64PK12-3/8	22	9	30.0	41.5	23	25.5	60
14	4.2	3/8	C64PK14-3/8	22	9	33.5	45.0	25	27.5	74
14	4.2	1/2	C64PK14-1/2	27	12	33.5	49.5	25	27.5	103

C64SPK - Compact adjustable male elbow - BSPP



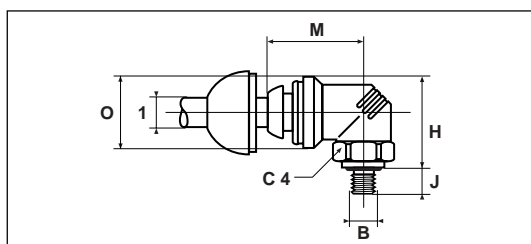
1	B	Part number	C4	H	J	M	O	Weight g.
4	1/8	C64SPK4-1/8	14	16.7	6	20.5	13	16
4	1/4	C64SPK4-1/4	19	17.4	9	20.5	13	28
6	1/8	C64SPK6-1/8	14	17.9	6	23.0	15	15
6	1/4	C64SPK6-1/4	19	19.4	9	23.0	15	29
8	1/8	C64SPK8-1/8	14	18.9	6	25.0	17	18
8	1/4	C64SPK8-1/4	19	20.4	9	25.0	17	32
8	3/8	C64SPK8-3/8	22	21.9	9	25.0	17	42

C68PK - Adjustable male elbow - metric straight thread



1	3 dia.	B	Part number	C4	J	M	N	O	Width Q	Weight g.
4	3.2	M3x0.5	C68PK4M3	10	3.5	18.0	22.0	13	15.0	9
4	3.2	M5x0.8	C68PK4M5	10	5.0	18.0	23.5	13	15.0	10
6	4.2	M5x0.8	C68PK6M5	11	5.0	20.5	25.0	15	17.0	12
8	4.2	M12x1.5	C68PK8M12	17	10.0	22.5	35.0	17	19.0	34
8	4.2	M16x1.5	C68PK8M16	22	10.0	22.5	35.0	17	19.0	43
8	4.2	M22x1.5	C68PK8M22	27	12.0	22.5	39.0	17	19.0	91
10	4.2	M12x1.5	C68PK10M12	17	10.0	28.5	40.0	19	23.5	55

C68SPK - Compact adjustable male elbow - metric straight



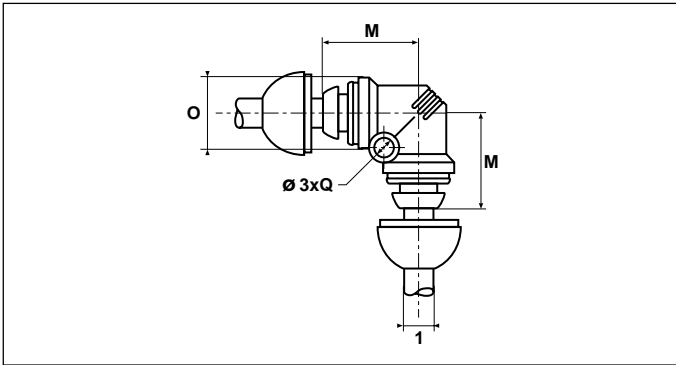
1	B	Part number	C4	H	J	M	O	Weight g.
4	M5x0.8	C68SPK4M5	10	15.5	5	20.5	13	6

Our fittings are supplied without cap. See page-B 18

For product availability please consult our price list 0093-UK.
Dimensions shown may be changed at any time without prior notice.

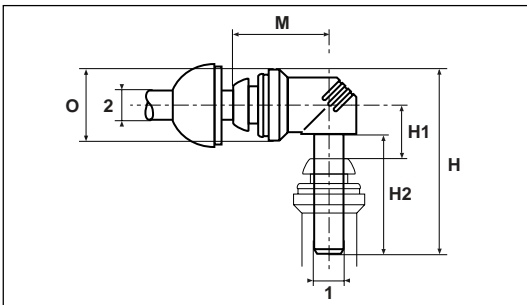
Prestolok 2 push-in fitting

EPK - Equal union elbow



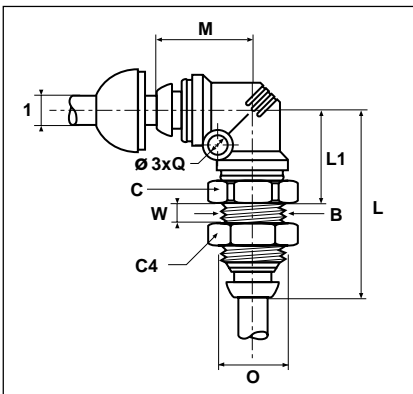
1	3 dia.	Part number	M	O	Width Q	Weight g.
4	3.2	EPK4	18.0	13	15.0	6
6	4.2	EPK6	20.5	15	17.0	7
8	4.2	EPK8	22.5	17	19.0	10
10	4.2	EPK10	28.5	21	23.5	17
12	4.2	EPK12	30.0	23	25.5	23
14	4.2	EPK14	33.5	25	27.5	31

T2ESPK - Compact plug-in elbow



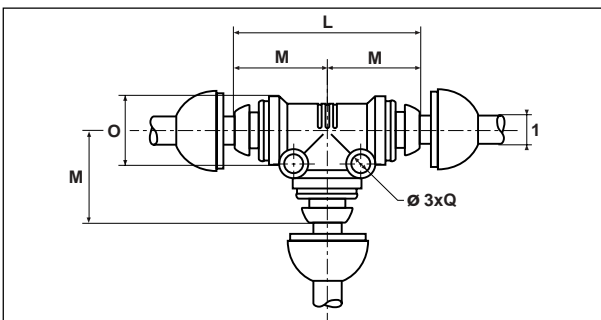
1	2	Part number	H	H1	H2	M	O	Weight g.
4	4	T2ESPK4	31	8.5	19	20.5	13	4
6	6	T2ESPK6	36	11.5	22	23.0	15	5
4	6	T2ESPK4-6	33	9.5	19	23.0	15	5
8	8	T2ESPK8	38	11.0	22	25.0	17	8

WE6PK - 90° adjustable bulkhead union elbow



1	3 dia.	B	Part number	C	C4	L	L1	M	O	Width Q	W Max.	Weight g.
4	3.2	M11x0.75	WE6PK4	14	16	37	18.0	18.0	11.5	15.0	6	22
6	4.2	M13x1	WE6PK6	17	17	39	19.5	20.5	13.5	17.0	6	38
8	4.2	M15x1.25	WE6PK8	19	19	43	21.5	22.5	15.5	19.0	6	52
10	4.2	M18x1	WE6PK10	22	22	54	29.0	28.5	18.5	23.5	8	107
12	4.2	M23x1.5	WE6PK12	27	27	59	30.0	30.0	23.5	25.5	10	139

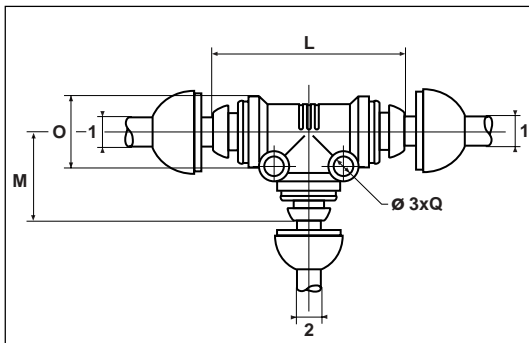
JPK - Equal union tee



1	3 dia.	Part number	L	M	O	Width Q	Weight g.
4	3.2	JPK4	36	18.0	13	15.0	8
6	4.2	JPK6	41	20.5	15	17.0	9
8	4.2	JPK8	45	22.5	17	19.0	14
10	4.2	JPK10	57	28.5	21	23.5	24
12	4.2	JPK12	60	30.0	23	25.5	33
14	4.2	JPK14	67	33.5	25	27.5	45

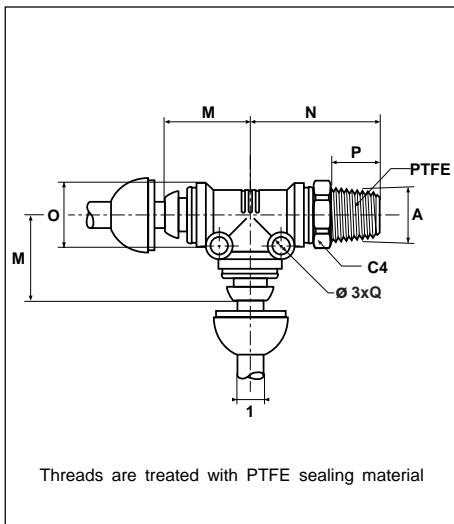
Prestolok 2 push-in fitting

JPK - Unequal union tee



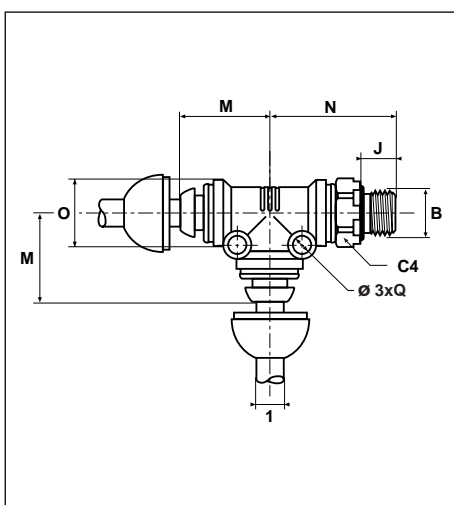
1	2	3 dia.	Part number	L	M	O	Width Q	Weight g.
6	4	4.2	JPK6-6-4	41	21.5	15	17.0	12
8	6	4.2	JPK8-8-6	45	22.5	17	19.0	18
10	8	4.2	JPK10-10-8	57	28.5	21	23.5	29
12	10	4.2	JPK12-12-10	60	30.0	23	25.5	38
4	6	4.2	JPK4-4-6	43	20.5	15	17.0	17
6	8	4.2	JPK6-6-8	45	22.5	17	19.0	18
8	10	4.2	JPK8-8-10	57	28.5	21	23.5	34
10	12	4.2	JPK10-10-12	61	30.5	23	25.5	43

R63PK - Adjustable male run tee - BSPT



1	3 dia.	A	Part number	C4	M	N	O	P	Width Q	Weight g.
4	3.2	1/8	R63PK4-1/8	10	18.0	25.5	13	7.5	15.0	15
4	3.2	1/4	R63PK4-1/4	14	18.0	29.0	13	11.0	15.0	23
6	4.2	1/8	R63PK6-1/8	11	20.5	27.0	15	7.5	17.0	16
6	4.2	1/4	R63PK6-1/4	14	20.5	30.5	15	11.0	17.0	26
8	4.2	1/8	R63PK8-1/8	14	22.5	29.5	17	7.5	19.0	24
8	4.2	1/4	R63PK8-1/4	14	22.5	32.5	17	11.0	19.0	31
8	4.2	3/8	R63PK8-3/8	17	22.5	34.0	17	11.5	19.0	42
10	4.2	1/4	R63PK10-1/4	17	28.5	40.0	21	11.0	23.5	44
10	4.2	3/8	R63PK10-3/8	17	28.5	39.0	21	11.5	23.5	51
12	4.2	1/4	R63PK12-1/4	19	30.0	41.5	23	11.0	25.5	65
12	4.2	3/8	R63PK12-3/8	19	30.0	41.0	23	11.5	25.5	69
12	4.2	1/2	R63PK12-1/2	22	30.0	44.5	23	15.0	25.5	78
14	4.2	3/8	R63PK14-3/8	22	33.5	45.5	25	11.5	27.5	82
14	4.2	1/2	R63PK14-1/2	22	33.5	48.0	25	15.0	27.5	92

R64PK - Adjustable male run tee - BSPP



1	3 dia.	B	Part number	C4	J	M	N	O	Width Q	Weight g.
4	3.2	1/8	R64PK4-1/8	14	6	18.0	25.5	13	15.0	18
4	3.2	1/4	R64PK4-1/4	19	9	18.0	30.5	13	15.0	34
6	4.2	1/8	R64PK6-1/8	14	6	20.5	27.0	15	17.0	21
6	4.2	1/4	R64PK6-1/4	19	9	20.5	32.0	15	17.0	32
8	4.2	1/8	R64PK8-1/8	14	6	22.5	29.0	17	19.0	26
8	4.2	1/4	R64PK8-1/4	19	9	22.5	34.0	17	19.0	38
8	4.2	3/8	R64PK8-3/8	22	9	22.5	35.0	17	19.0	53
10	4.2	1/4	R64PK10-1/4	19	9	28.5	39.0	21	23.5	52
10	4.2	3/8	R64PK10-3/8	22	9	28.5	40.0	21	23.5	68
12	4.2	1/4	R64PK12-1/4	19	9	30.0	40.5	23	25.5	66
12	4.2	3/8	R64PK12-3/8	22	9	30.0	41.5	23	25.5	70
14	4.2	3/8	R64PK14-3/8	22	9	33.5	45.0	25	27.5	88
14	4.2	1/2	R64PK14-1/2	27	12	33.5	49.5	25	27.5	117

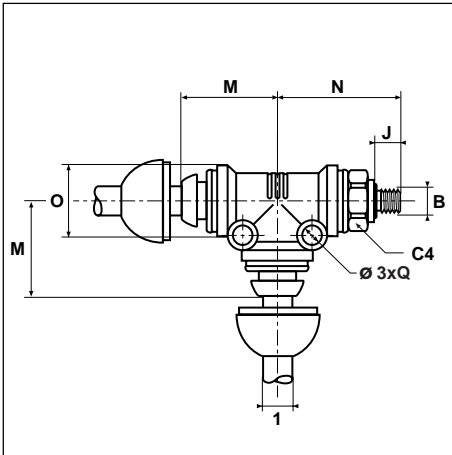
Our fittings are supplied without cap. See page-B 18

For product availability please consult our price list 0093-UK.

Dimensions shown may be changed at any time without prior notice.

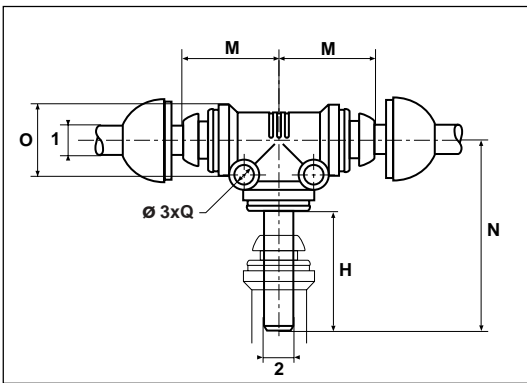
Prestolok 2 push-in fitting

R68PK - Adjustable male run tee - metric straight thread



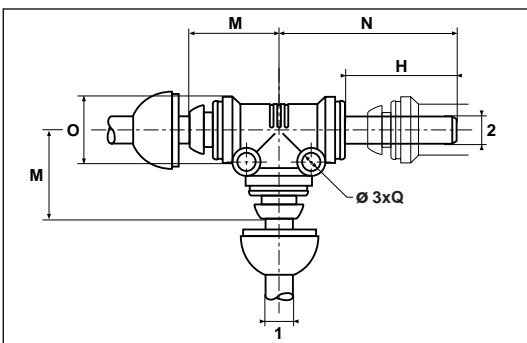
1	3 dia.	B	Part number	C4	J	M	N	O	Width Q	Weight g.
4	3.2	M3x0.5	R68PK4M3	10	3.5	18.0	22.0	13	15	11
4	3.2	M5x0.8	R68PK4M5	10	5.0	18.0	23.5	13	15	12
6	4.2	M5x0.8	R68PK6M5	11	5.0	20.5	25.0	15	17	15
8	4.2	M12x1.5	R68PK8M12	17	10.0	22.5	35.0	17	19	38
8	4.2	M16x1.5	R68PK8M16	22	10.0	22.5	35.0	17	19	49
8	4.2	M22x1.5	R68PK8M22	27	12.0	22.5	39.0	17	19	91

T2JPK - Plug-in branch tee



1	2	3 dia.	Part number	H	M	N	O	Width Q	Weight g.
4	4	3.2	T2JPK4	19.5	18.0	33.5	13	15	7
6	6	4.2	T2JPK6	21.0	20.5	36.5	15	17	9
8	8	4.2	T2JPK8	22.0	22.5	39.5	17	19	13

T2JJPk - Plug-in run tee



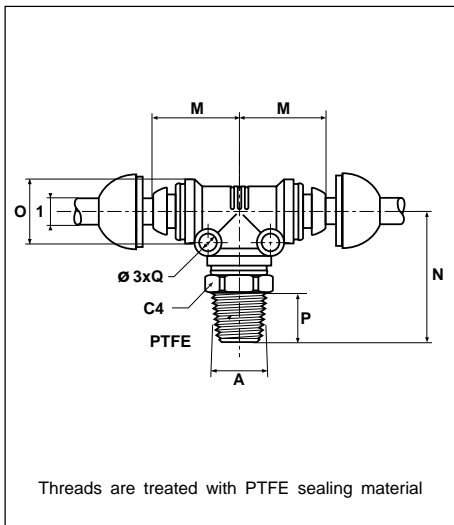
1	2	3 dia.	Part number	H	M	N	O	Width Q	Weight g.
4	4	3.2	T2JJPk4	19.5	18.0	33.5	13	15	7
6	6	4.2	T2JJPk6	21.0	20.5	36.5	15	17	9
8	8	4.2	T2JJPk8	22.0	22.5	39.5	17	19	13

Our fittings are supplied without cap. See page-B 18

For product availability please consult our price list 0093-UK.
Dimensions shown may be changed at any time without prior notice.

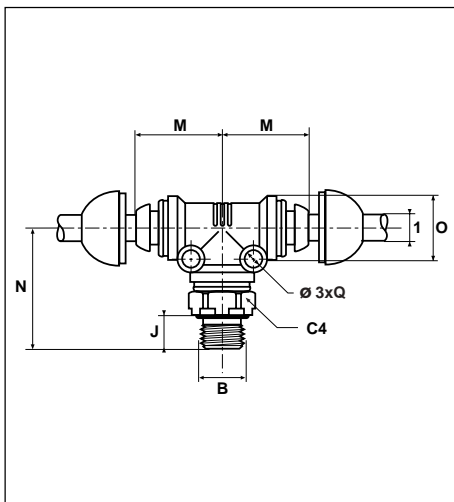
Prestolok 2 push-in fitting

S63PK - Adjustable male branch tee - BSPT



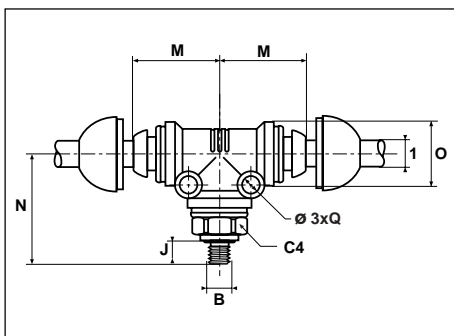
1	3 dia.	A	Part number	C4	M	N	O	P	Width Q	Weight g.
4	3.2	1/8	S63PK4-1/8	10	18.0	25.5	13	7.5	15.0	15
4	3.2	1/4	S63PK4-1/4	14	18.0	29.0	13	11.0	15.0	23
6	4.2	1/8	S63PK6-1/8	11	20.5	27.0	15	7.5	17.0	16
6	4.2	1/4	S63PK6-1/4	14	20.5	30.5	15	11.0	17.0	26
8	4.2	1/8	S63PK8-1/8	14	22.5	29.5	17	7.5	19.0	24
8	4.2	1/4	S63PK8-1/4	14	22.5	32.5	17	11.0	19.0	31
8	4.2	3/8	S63PK8-3/8	17	22.5	34.0	17	11.5	19.0	42
10	4.2	1/4	S63PK10-1/4	17	28.5	40.0	21	11.0	23.5	44
10	4.2	3/8	S63PK10-3/8	17	28.5	39.0	21	11.5	23.5	51
12	4.2	1/4	S63PK12-1/4	19	30.0	41.5	23	11.0	25.5	65
12	4.2	3/8	S63PK12-3/8	19	30.0	41.0	23	11.5	25.5	69
12	4.2	1/2	S63PK12-1/2	22	30.0	44.5	23	15.0	25.5	78
14	4.2	3/8	S63PK14-3/8	22	33.5	45.5	25	11.5	27.5	82
14	4.2	1/2	S63PK14-1/2	22	33.5	48.0	25	15.0	27.5	92

S64PK - Adjustable male branch tee - BSPP



1	3 dia.	B	Part number	C4	J	M	N	O	Width Q	Weight g.
4	3.2	1/8	S64PK4-1/8	14	6	18.0	25.5	13	15.0	18
4	3.2	1/4	S64PK4-1/4	19	9	18.0	30.5	13	15.0	34
6	4.2	1/8	S64PK6-1/8	14	6	20.5	27.0	15	17.0	21
6	4.2	1/4	S64PK6-1/4	19	9	20.5	32.0	15	17.0	32
8	4.2	1/8	S64PK8-1/8	14	6	22.5	29.0	17	19.0	26
8	4.2	1/4	S64PK8-1/4	19	9	22.5	34.0	17	19.0	38
8	4.2	3/8	S64PK8-3/8	22	9	22.5	35.0	17	19.0	53
10	4.2	1/4	S64PK10-1/4	19	9	28.5	39.0	21	23.5	52
10	4.2	3/8	S64PK10-3/8	22	9	28.5	40.0	21	23.5	68
12	4.2	1/4	S64PK12-1/4	19	9	30.0	40.5	23	25.5	66
12	4.2	3/8	S64PK12-3/8	22	9	30.0	41.5	23	25.5	70
14	4.2	3/8	S64PK14-3/8	22	9	33.5	45.0	25	27.5	88
14	4.2	1/2	S64PK14-1/2	27	12	33.5	49.5	25	27.5	117

S68PK - Adjustable male branch tee - metric straight thread



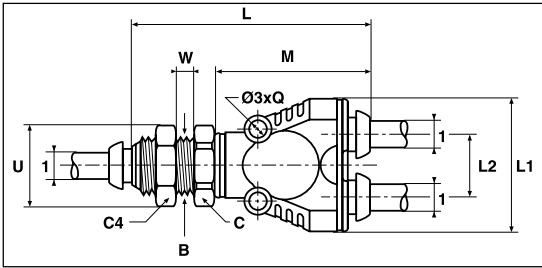
1	3 dia.	B	Part number	C4	J	M	N	O	Width Q	Weight g.
4	3.2	M3x0.5	S68PK4M3	10	3.5	18.0	22.0	13	15	11
4	3.2	M5x0.8	S68PK4M5	10	5.0	18.0	23.5	13	15	12
6	4.2	M5x0.8	S68PK6M5	11	5.0	20.5	25.0	15	17	15
8	4.2	M12x1.5	S68PK8M12	17	10.0	22.5	35.0	17	19	38
8	4.2	M16x1.5	S68PK8M16	22	10.0	22.5	35.0	17	19	49
8	4.2	M22x1.5	S68PK8M22	27	12.0	22.5	39.0	17	19	91

Our fittings are supplied without cap. See page-B 18

For product availability please consult our price list 0093-UK.
Dimensions shown may be changed at any time without prior notice.

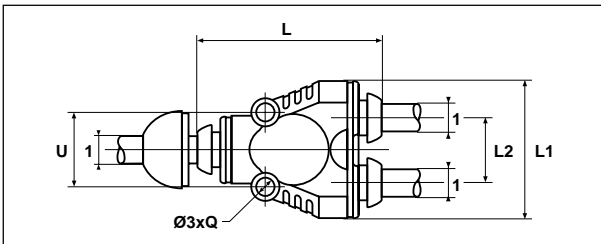
Prestolok 2 push-in fitting

WYJ6PK - Adjustable male bulkhead Y connector



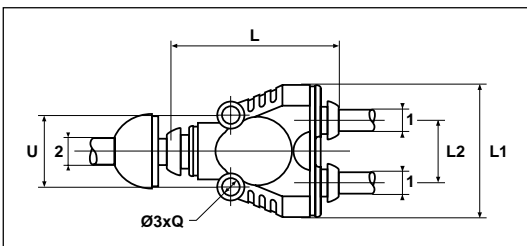
1	B	3 dia.	Part number	C	C4	L	L1	L2	M	Width Q	U	W Maxi	Weight g.
4	M11x0.75	3.2	WYJ6PK4	14	16	46	22	11.0	27	15	14.4	6	38
6	M13x1	4.2	WYJ6PK6	17	17	54	30	13.5	35	17	17.0	6	21
8	M15x1.25	4.2	WYJ6PK8	19	19	64	30	13.5	35	19	18.4	6	50

YJPK - Union Y connector



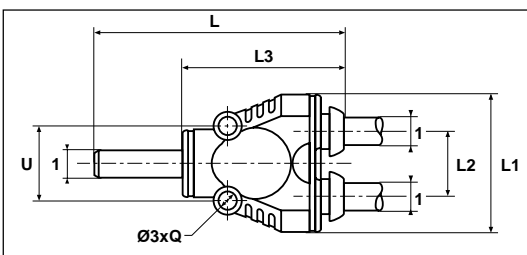
1	3 dia.	Part number	L	L1	L2	Width Q	U	Weight g.
4	3.2	YJPK4	31	22	11.0	17	17.0	15
6	4.2	YJPK6	40	30	13.5	19	19.0	20
8	4.2	YJPK8	40	39	18.0	24	23.6	40
10	4.2	YJPK10	52	39	18.0	24	19.3	35

YJPK - Unequal union Y connector



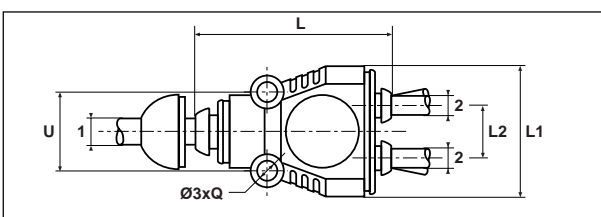
1	2	3 dia.	Part number	L	L1	L2	Width Q	U	Weight g.
4	6	4.2	YJPK4-4-6	40	30	13.5	17	14.4	19
6	8	4.2	YJPK6-6-8	40	30	13.5	19	17.0	32
8	10	4.2	YJPK8-8-10	40	31	13.6	19	18.4	43

YJ2PK - Plug-in Y connector



1	3 dia.	Part number	L	L1	L2	L3	Width Q	U	Weight g.
4	3.2	YJ2PK4	46.5	22	11.0	27	15	14.4	11
6	4.2	YJ2PK6	56.0	30	13.5	35	17	17.0	20
8	4.2	YJ2PK8	57.0	30	13.5	35	19	18.4	24
10	4.2	YJ2PK10	73.0	39	18.0	46	24	19.3	40

YJ5PK - Union double Y connector

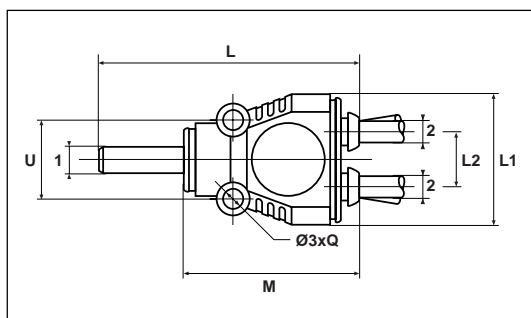


1	2	3 dia.	Part number	L	L1	L2	Width Q	U	Weight g.
4	4	3.2	YJ5PK4	35	22.5	9.5	24.5	14.4	20
6	4	4.2	YJ5PK6-4	38	22.5	9.5	24.5	17.0	22

For product availability please consult our price list 0093-UK.
Dimensions shown may be changed at any time without prior notice.

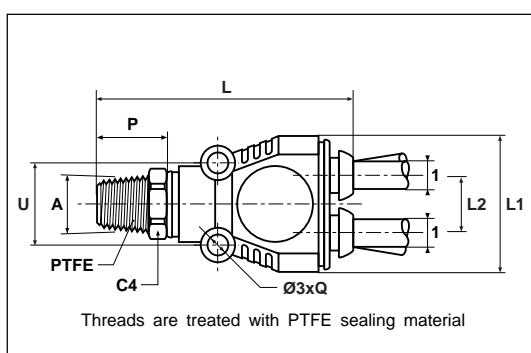
Prestolok 2 push-in fitting

YJ52PK - Plug-in double Y connector



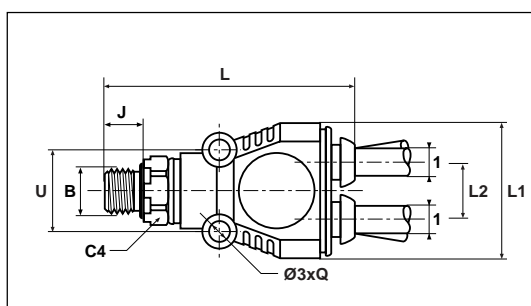
1	2	3 dia.	Part number	L	L1	L2	M	Width Q	U	Weight g.
6	4	3.2	YJ52PK6-4	52	22.5	9.5	31	24.5	14.4	23

YJ563PK - Union double Y connector adjustable male - BSPT



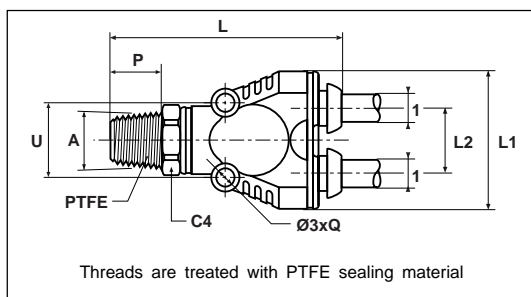
1	3 dia.	A	Part number	C4	L	L1	L2	P	Width Q	U	Weight g.
4	3.2	1/8	YJ563PK4-1/8	10	42.5	22.5	9.5	7.5	24.5	14.4	24
4	3.2	1/4	YJ563PK4-1/4	14	46.0	22.5	9.5	11.0	24.5	14.4	33

YJ564PK - Union double Y connector adjustable male - BSPP



1	B	3 dia.	Part number	C4	J	L	L1	L2	Width Q	U	Weight g.
4	1/8	3.2	YJ564PK4-1/8	14	6	42.5	22.5	9.5	24.5	14.4	27
4	1/4	3.2	YJ564PK4-1/4	19	9	47.5	22.5	9.5	24.5	14.4	43

YJ63PK - Adjustable male Y connector - BSPT

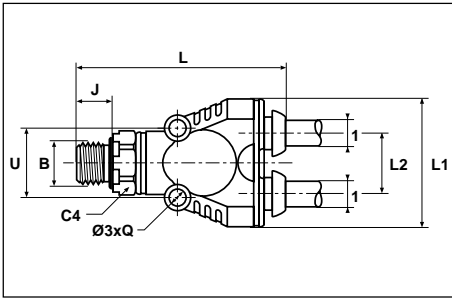


1	A	3 dia.	Part number	C4	L	L1	L2	P	Width Q	U	Weight g.
4	1/8	3.2	YJ63PK4-1/8	10	38.5	22	11.0	7.5	15	14.4	18
4	1/4	3.2	YJ63PK4-1/4	14	42.0	22	11.0	11.0	15	14.4	26
6	1/8	4.2	YJ63PK6-1/8	11	51.5	30	13.5	7.5	17	17.0	22
6	1/4	4.2	YJ63PK6-1/4	14	50.0	30	13.5	11.0	17	17.0	31
8	1/8	4.2	YJ63PK8-1/8	14	47.0	30	13.5	7.5	19	18.4	34
8	1/4	4.2	YJ63PK8-1/4	14	50.0	30	13.5	11.0	19	18.4	41
10	1/4	4.2	YJ63PK10-1/4	17	62.6	39	18.0	11.0	24	19.3	60
10	3/8	4.2	YJ63PK10-3/8	19	61.3	39	18.0	11.5	24	19.3	77

For product availability please consult our price list 0093-UK.
Dimensions shown may be changed at any time without prior notice.

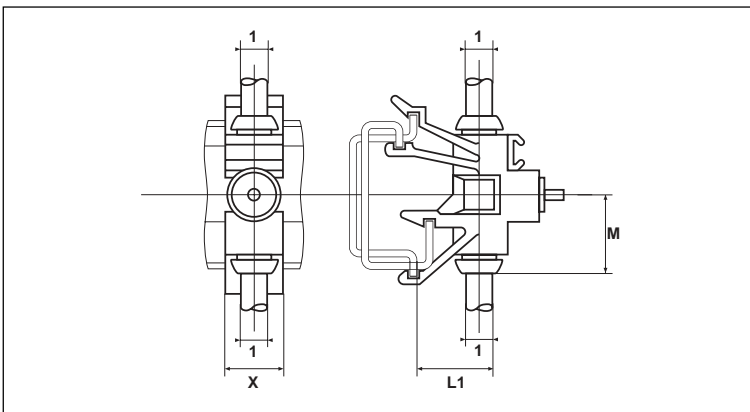
Prestolok 2 push-in fitting

YJ64PK - Adjustable male Y connector - BSPP



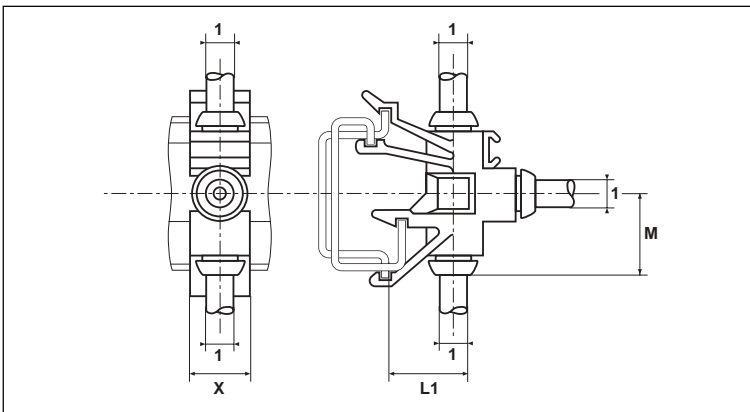
1	B	3 dia	Part number	C4	J	L	L1	L2	Width Q	U	Weight g.
4	1/8	3.2	YJ64PK4-1/8	14	6	38.5	22	11.0	15	14.4	22
4	1/4	3.2	YJ64PK4-1/4	19	9	43.5	22	11.0	15	14.4	37
6	1/8	4.2	YJ64PK6-1/8	14	6	46.5	30	13.5	17	17.0	26
6	1/4	4.2	YJ64PK6-1/4	19	9	51.5	30	13.5	17	17.0	37
8	1/8	4.2	YJ64PK8-1/8	14	6	46.5	30	13.5	19	18.4	36
8	1/4	4.2	YJ64PK8-1/4	19	9	51.5	30	13.5	19	18.4	48
10	1/4	4.2	YJ64PK10-1/4	19	9	62.5	39	19.3	24	19.3	58
10	3/8	4.2	YJ64PK10-3/8	22	9	63.5	39	19.3	24	19.3	75

HS3PK - Manifold for 2 tubes and pressure indicator



1	Part number	L1	M	X	Weight g.
4	HS3PK4	14	16	12	12
6	HS3PK6	15	18	14	15
8	HS3PK8	15	29	14	31

J3PK - Manifold for 3 tubes



1	Part number	L1	M	X	Weight g.
4	J3PK4	14	16	12	10
6	J3PK6	15	18	14	12
8	J3PK8	15	29	16	35

Manifolds

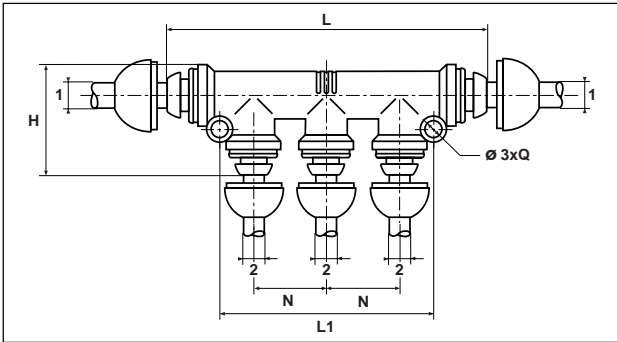


Prestolok manifolds permit close porting and compact modular assemblies on mounting rails, irrespective of :

- the DIN profiles used : 46277 T1 (32x15x1.5), 46277 T3 (35x15x1.5), 46277 T3 (35x7.5x1).
- the desired manifold configuration (3 tube connections, or 2 tube connections + pressure indicator).
- the tube O.D. (4, 6 or 8 mm).

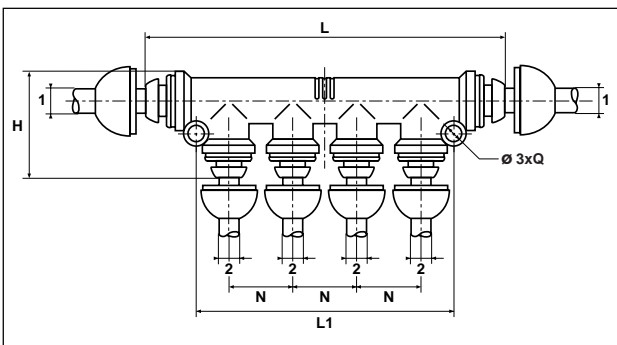
Prestolok 2 push-in fitting

J5PK - Multiple tee



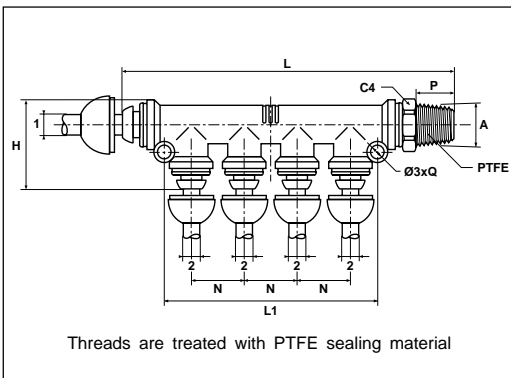
1	2	3	Part number	H	L	L1	N	Width Q	Weight g.
6	4	4.4	J5PK6-4	27	78	52	18	15	16
8	4	4.4	J5PK8-4	28	80	52	18	17	21
8	6	4.4	J5PK8-6	30	80	52	18	17	19
10	6	4.4	J5PK10-6	33	90	52	18	21	24

J6PK - Multiple tee



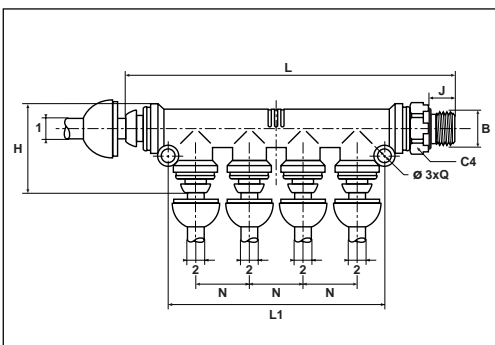
1	2	3	Part number	H	L	L1	N	Width Q	Weight g.
6	4	4.4	J6PK6-4	27	96	70	18	15	20
8	4	4.4	J6PK8-4	28	98	70	18	17	25
8	6	4.4	J6PK8-6	30	98	70	18	17	24
10	6	4.4	J6PK10-6	33	108	70	18	21	28

J663PK - Adjustable male multiple tee - BSPT



1	2	3	A	Part number	C4	H	L	L1	N	P	Width Q	Weight g.
6	4	4.4	1/8	J663PK6-4-1/8	10	27	103.0	70	18	7.5	15	31
6	4	4.4	1/4	J663PK6-4-1/4	14	27	106.5	70	18	11.0	15	40
8	4	4.4	1/8	J663PK8-4-1/8	10	28	103.0	70	18	7.5	17	39
8	4	4.4	1/4	J663PK8-4-1/4	14	28	106.5	70	18	11.0	17	45
8	4	4.4	3/8	J663PK8-4-3/8	17	28	108.0	70	18	11.5	17	57
8	6	4.4	1/8	J663PK8-6-1/8	10	30	103.0	70	18	7.5	17	40
8	6	4.4	1/4	J663PK8-6-1/4	14	30	106.5	70	18	11.0	17	46
8	6	4.4	3/8	J663PK8-6-3/8	17	30	108.0	70	18	11.5	17	58
10	6	4.4	1/4	J663PK10-6-1/4	14	33	116.4	70	18	11.0	21	60
10	6	4.4	3/8	J663PK10-6-3/8	17	33	117.9	70	18	11.5	21	67

J664PK - Adjustable male multiple tee - BSPP



1	2	3	B	Part number	C4	H	J	L	L1	N	Width Q	Weight g.
6	4	4.4	1/8	J664PK6-4-1/8	14	27	7.5	103.0	70	18	15	35
6	4	4.4	1/4	J664PK6-4-1/4	19	27	11.0	108.0	70	18	15	46
8	4	4.4	1/8	J664PK8-4-1/8	14	28	7.5	103.0	70	18	17	41
8	4	4.4	1/4	J664PK8-4-1/4	19	28	11.0	108.0	70	18	17	53
8	4	4.4	3/8	J664PK8-4-3/8	22	28	11.5	109.0	70	18	17	68
8	6	4.4	1/8	J664PK8-6-1/8	14	30	7.5	103.0	70	18	17	42
8	6	4.4	1/4	J664PK8-6-1/4	19	30	11.0	108.0	70	18	17	54
8	6	4.4	3/8	J664PK8-6-3/8	14	30	11.5	109.0	70	18	17	67
10	6	4.4	1/4	J664PK10-6-1/4	19	33	11.0	117.9	70	18	21	69
10	6	4.4	3/8	J664PK10-6-3/8	22	33	11.5	118.9	70	18	21	84

Prestolok 2 push-in fitting



Multiple tees can be used as a simple system for air distribution. The flow path through the tee is designed to ensure an adequate air supply to the secondary lines. This economic modular concept provides a fully flexible solution for your pneumatic system.

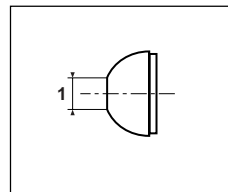
B

C - Protective cap



The design of Prestolok 2 permits the use of a protective cap for the following functions :

- protection : prevents the ingress of dirt into the connection system,
- safety : eliminates the risk of accidental disconnection, as the push button is made inaccessible,
- identification :
 - colour coding allows identification of fluid lines,
 - tubes sizes are marked on the protective cap.

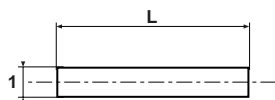


1	Part number	Weight g.
4	C4^a	1
6	C6^a	1
8	C8^a	1
10	C10^a	1
12	C12^a	1
14	C14^a	1

a) : Add the following code, corresponding to the chosen colour :
 W : white; BU : blue; G : green; R : red;
 Y : yellow; BL: black.
 Example : cap red suitable for tube $\varnothing 4$ mm = C4R.
 In case of no colour specification, we will deliver yellow caps (standard colour).
 Our fittings are supplied without cap.
 Cap must be ordered separately.

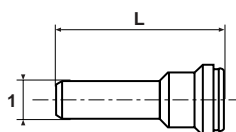
Prestolok 2 push-in fitting

BPK - Double male union



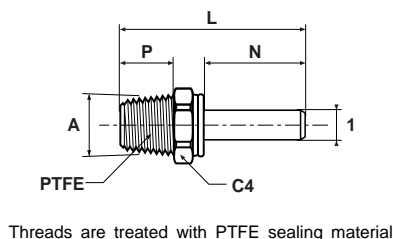
1	Part number	L	Weight g.
4	BPK4	38	1
6	BPK6	41	1
8	BPK8	41	1
10	BPK10	51	2
12	BPK12	54	2
14	BPK14	55	2

FNPK - Plug



1	Part number	L	Weight g.
4	FNPK4	34.5	1
6	FNPK6	35.0	1
8	FNPK8	35.0	2
10	FNPK10	42.0	9
12	FNPK12	41.0	10
14	FNPK14	40.0	10

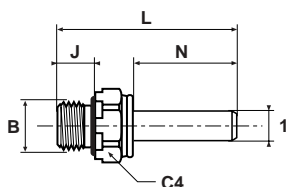
T23FPK - Tube end male adaptor - BSPT



1	A	Part number	C4	L	N	P	Weight g.
4	1/8	T23FPK4-1/8	12	36	19.5	7.5	10
4	1/4	T23FPK4-1/4	14	40	19.5	11.0	17
6	1/8	T23FPK6-1/8	14	40	21.0	7.5	14
6	1/4	T23FPK6-1/4	14	40	21.0	11.0	16
8	1/8	T23FPK8-1/8	17	45	22.0	7.5	24
8	1/4	T23FPK8-1/4	17	46	22.0	11.0	24
8	3/8	T23FPK8-3/8	17	44	22.0	11.5	29
10	1/4	T23FPK10-1/4	19	57	27.0	11.0	41
10	3/8	T23FPK10-3/8	19	55	27.0	11.5	39
10	1/2	T23FPK10-1/2	22	52	27.0	15.0	57

* Thermoplastic stem with brass nickel plated threads.

T24FPK - Tube end male adaptor - BSPP



1	B	Part number	C4	J	L	N	Weight g.
4	1/8	T24FPK4-1/8	14	6	38	19.0	14
4	1/4	T24FPK4-1/4	16	9	38	19.5	26
6	1/8	T24FPK6-1/8	14	6	41	21.0	17
6	1/4	T24FPK6-1/4	16	9	41	20.5	28
8	1/8	T24FPK8-1/8	14	6	45	22.0	26
8	1/4	T24FPK8-1/4	16	9	45	22.0	29
8	3/8	T24FPK8-3/8	19	9	45	22.0	45
10	1/4	T24FPK10-1/4	19	9	57	27.0	46
10	3/8	T24FPK10-3/8	19	9	51	26.0	45
10	1/2	T24FPK10-1/2	27	12	50	27.0	59

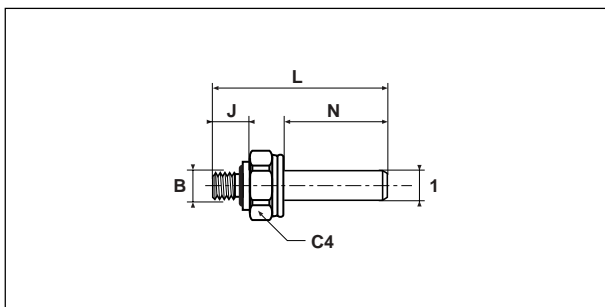
* Thermoplastic stem with brass nickel plated threads.

Our fittings are supplied without cap. See page B18

For product availability please consult our price list 0093-UK.
Dimensions shown may be changed at any time without prior notice.

Prestolok 2 push-in fitting

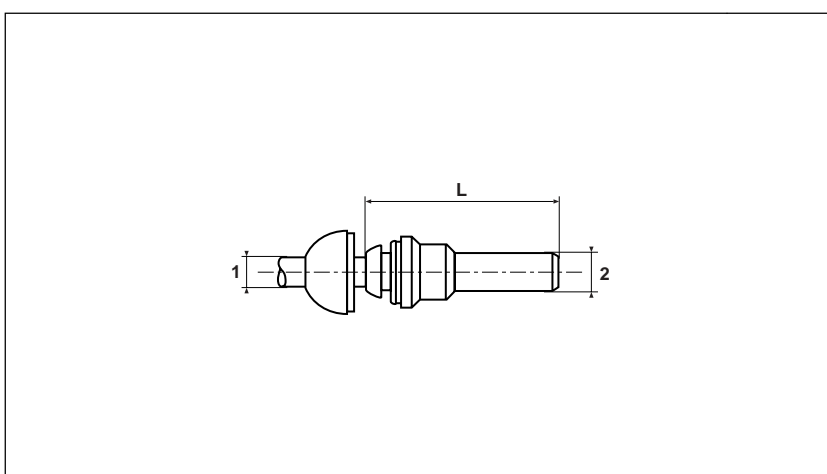
T28FPK - Tube end male adaptor-metric straight thread



1	B	Part number	C4	J	L	N	Weight g.
4	M5X0.8	T28FPK4M5	12	5	43	19.5	12
6	M5X0.8	T28FPK6M5	14	5	43	21.0	17

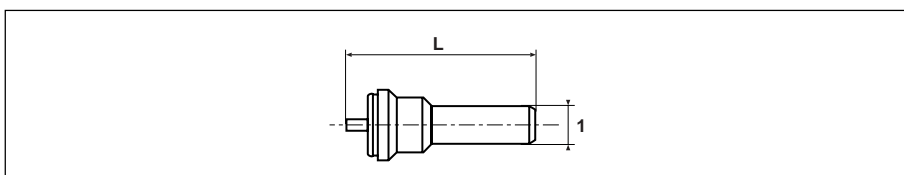
* Thermoplastic stem with brass nickel plated threads.

TR2PK - Tube end reducer



1	2	Part number	L	Weight g.
4	6	TR2PK6-4	38	4
4	8	TR2PK8-4	36	6
6	8	TR2PK8-6	39	4
4	10	TR2PK10-4	41	16
6	10	TR2PK10-6	43	3
8	10	TR2PK10-8	47	4
6	12	TR2PK12-6	36	3
8	12	TR2PK12-8	38	7
10	12	TR2PK12-10	48	4
8	14	TR2PK14-8	39	8
10	14	TR2PK14-10	42	5
12	14	TR2PK14-12	51	14

TS2PK - Pressure indicator

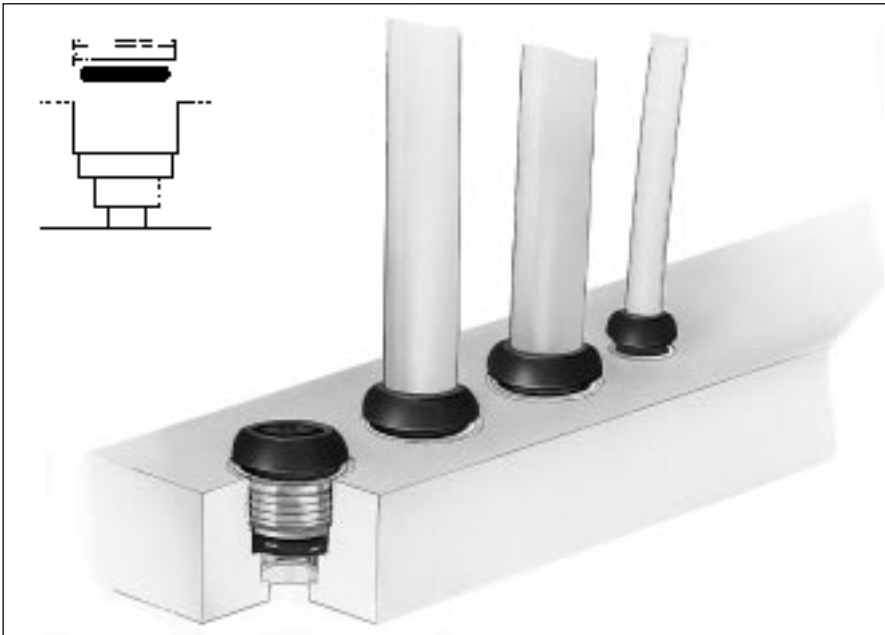


1	Part number	L	Weight g.
4	TS2PK4	36	5
6	TS2PK6	37	6
8	TS2PK8	36	8

For product availability please consult our price list 0093-UK.
Dimensions shown may be changed at any time without prior notice.

Cartridges

Prestolok cartridge fittings



Prestolok compact drive-in cartridge fittings for plastic tubes, are designed for use in pneumatic components for low-pressure applications.

They eliminate the need for threaded ports in system components, and allow the construction of space-saving assemblies.

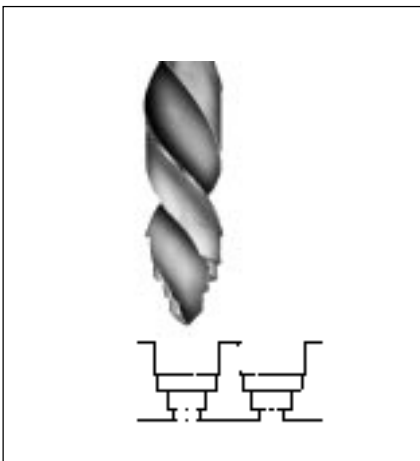
Simple stepped holes are sufficient to receive these cartridges, which are available in tube outer diameters from 4 mm to 12 mm.

Prestolok compact drive-in cartridges can be fitted into pneumatic components made of non-ferrous metals (brass, aluminium, zinc-aluminium alloy), and most industrial plastics.

They are particularly suitable for the mass production of pneumatic components. For more information on potential applications, please consult your Parker sales engineer.



Stepped hole for cartridge reception



Depending upon the component material used, the stepped holes for the reception of the drive-in cartridges are obtained by drilling or injection moulding. Dimensions and tolerances are defined by the configuration of the cartridge.

For this purpose, we supply stepped drilling tools corresponding to each cartridge type.

Technical information available on request.

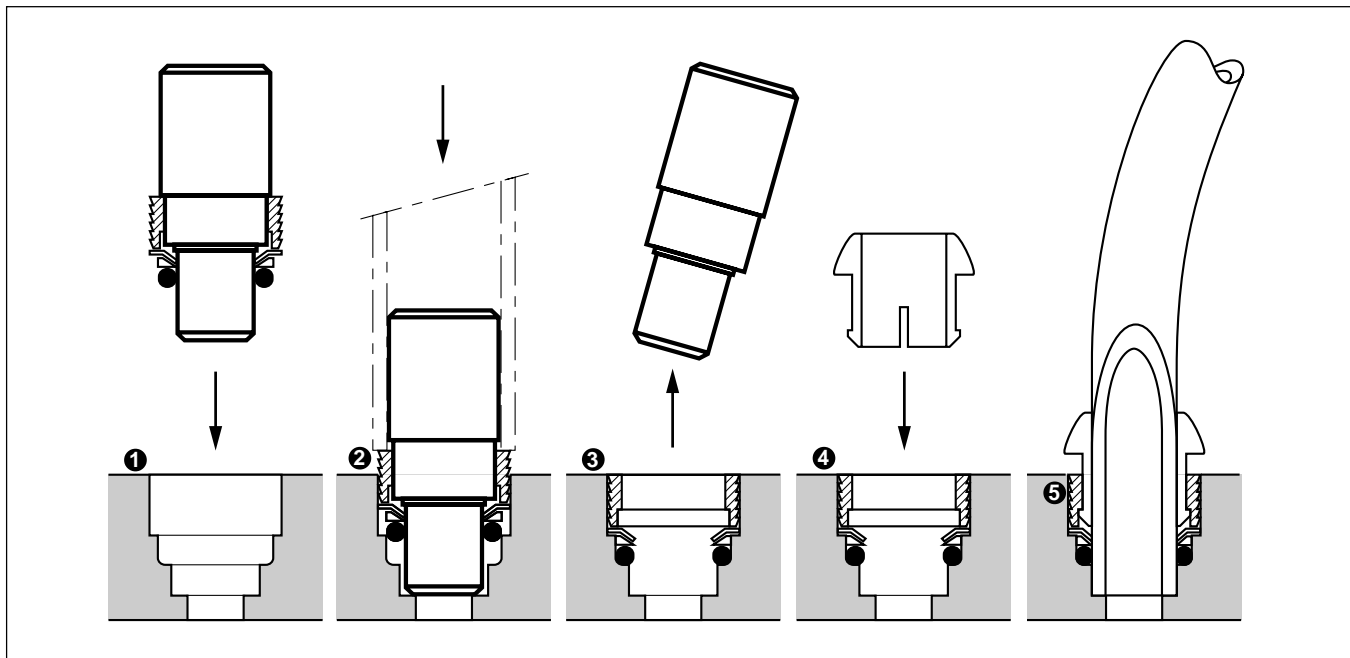
Prestolok 2 push-in fitting

Cartridges

Cartridge assembly

Prestolok compact drive-in cartridges are installed using a simple tool (one tool for each cartridge size).

B



- 1 - Position the mandrel above the port.
- 2 - Insert cartridge with drive-in tool.
- 3 - Remove mandrel from fitted cartridge.
- 4 - Insert push sleeve into cartridge.
- 5 - Final cartridge and tube assembly.

Packaging

Prestolok drive-in cartridges are supplied in packs of 200 or 250 units (depending on the part number) stored in stacked thermoplastic packing trays. This prevents damage during shipment and simplifies stock control and product handling.



Dimensions shown may be changed at any time without prior notice.