



aerospace
climate control
electromechanical
filtration
fluid & gas handling
hydraulics
pneumatics
process control
sealing & shielding



IQAN-XA2 I/O Modules

Electronic Control Systems



ENGINEERING YOUR SUCCESS.

Application

The IQAN-XA2 is an IQANdesign platform expansion module in the IQAN product group. This unit is designed for high digital I/O count, weather resistance, and safety.

All IQAN expansion modules communicate with a master over a CAN bus. The IQAN-XA2 module has increased I/O flexibility that allows the user greater freedom in defining signals for measurement and control.

I/O flexibility

Inputs

The IQAN-XA2 module has eight voltage inputs for connection of 0-5 Vdc signals. Four of the inputs are multi-purpose and for flexibility may be configured as frequency inputs or as directional frequency (quadrature) inputs for measuring speed and position.

Outputs

The XA2 module has six on-off outputs that are high-side power outputs.

The XA2 module also has six double proportional outputs for controlling proportional valves. These outputs can control six bi-directional valve sections or six single solenoid devices (ie. proportional cartridge valves). The proportional outputs can be used in two different modes. Either Current mode (current closed-loop) or PWM mode (voltage open-loop) signals can be selected and the parameters configured using IQAN software.

For flexibility these outputs may also be configured as up to six on/off outputs and up to twelve on/off inputs. The proportional outputs, on-off outputs and on-off inputs share pin positions.

Weather resistance

The aluminum housing is designed to be rugged, but light and has a sealed, automotive AMP/Tyco power timer connector. The IQAN-XA2 has a membrane to prevent condensation inside the housing. This controller is designed for the outdoor environment.

Safety

The unit executes a self-test during start up and cyclic operation. An internal watch dog checks for software errors and will interrupt outputs if errors are detected. The IQAN-XA2 is made using selected components and conforms to strict international requirements. Diagnostics: If an error is detected an LED on the top of the controller flashes a sequence to indicate the nature of the error.

General

Weight	0.75 Kg
Temperature range	
Operating, ambient	-40 to +70 °C
Storage, ambient	-40 to +100 °C
Protection	outdoor use
Voltage supply	9 - 32 Vdc
Current consumption (idle)	95 mA (14 Vdc) 75 mA (28 Vdc)
Data interface	Parker ICP (IQAN CAN Protocol)

Outputs

Proportional outputs	
Type current mode	current - closed-loop
PWM mode	voltage - open-loop
Signal range	100 - 2000 mA
Dither frequency	25 - 333 Hz
Resolution	1 mA
Digital outputs	
Type	high side switch
Max load	2 A

Inputs

Voltage inputs	
Signal range	0 - 5 Vdc
Resolution	5 mV
Frequency inputs	
Signal range (speed mode)	2 - 30000 Hz
(position mode)	0 - 30000 Hz
Quadrature inputs	
Signal range (speed mode)	2 - 30000 Hz
(position mode)	0 - 30000 Hz
Digital inputs	
Signal high	4 Vdc - V _{BAT}
Signal low	0 - 1 Vdc

Ordering part number

IQAN-XA2	5010033
----------	---------

Environmental protection

EMI

ISO 14982:1998, Radiated emission
EN 55025:2003, Conducted emission
ISO 11452-2:1995, Radiated susceptibility
ISO 11452-4:2001, Conducted susceptibility
ISO 7637-2:2004, Conducted transient on power
ISO 7637-3:1995, Conducted transient on signal

ESD

ISO 10605:2001, ESD

Mechanical environment

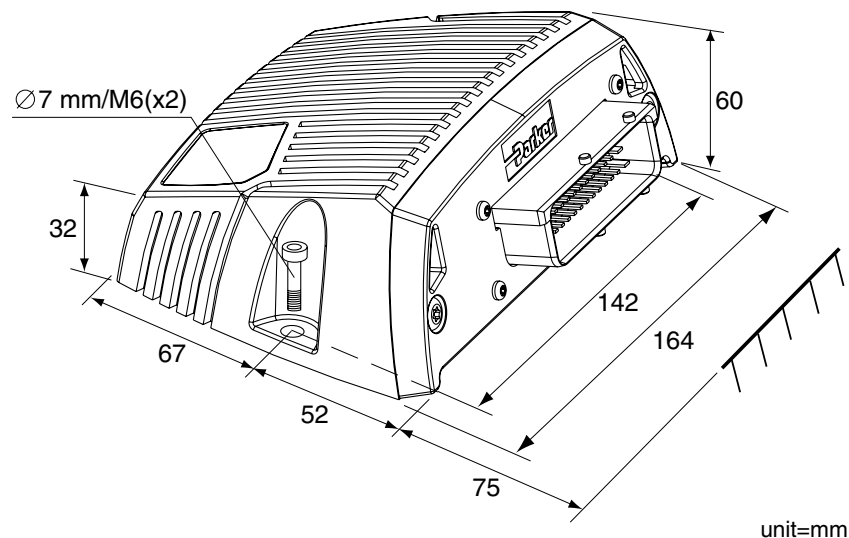
IEC 60068-2-64:1993 Fh, Random vibration
IEC 60068-2-29:1987 Eb, Bump

Climate environment

IEC 60529:2001, IP66 (dust, water)
DIN 40050 Part 9:1993, IP6K9K (steam jet cleaning)
IEC 60068-2-30:1985 Db, Damp heat cyclic
IEC 60068-2-78:2001, Damp heat, steady state
IEC 60068-2-14:1984 Nb, Change of temperature

Chemical environment

IEC 60068-2-52:1996 Kb, Salt mist



WARNING

FAILURE OR IMPROPER SELECTION OR IMPROPER USE OF THE PRODUCTS AND/OR SYSTEMS DESCRIBED HEREIN OR RELATED ITEMS CAN CAUSE DEATH, PERSONAL INJURY AND PROPERTY DAMAGE.

This document and other information from Parker Hannifin Corporation, its subsidiaries and authorized distributors provide product and/or system options for further investigation by users having technical expertise. It is important that you analyze all aspects of your application, including consequences of any failure, and review the information concerning the product or system in the current product catalogue. Due to the variety of operating conditions and applications for these products or systems, the user, through its own analysis and testing, is solely responsible for making the final selection of the products and systems and assuring that all performance, safety and warning requirements of the application are met.

The products described herein, including without limitation, product features, specifications, designs, availability and pricing, are subject to change by Parker Hannifin Corporation and its subsidiaries at any time without notice.

Offer of Sale

Please contact your Parker representation for a detailed "Offer of Sale".

Parker Worldwide

Europe, Middle East, Africa

AE – United Arab Emirates, Dubai

Tel: +971 4 8127100
parker.me@parker.com

AT – Austria, Wiener Neustadt

Tel: +43 (0)2622 23501-0
parker.austria@parker.com

AT – Eastern Europe, Wiener Neustadt

Tel: +43 (0)2622 23501 900
parker.easteurope@parker.com

AZ – Azerbaijan, Baku

Tel: +994 50 22 33 458
parker.azerbaijan@parker.com

BE/LU – Belgium, Nivelles

Tel: +32 (0)67 280 900
parker.belgium@parker.com

BG – Bulgaria, Sofia

Tel: +359 2 980 1344
parker.bulgaria@parker.com

BY – Belarus, Minsk

Tel: +48 (0)22 573 24 00
parker.poland@parker.com

CH – Switzerland, Etoy

Tel: +41 (0)21 821 87 00
parker.switzerland@parker.com

CZ – Czech Republic, Klecany

Tel: +420 284 083 111
parker.czechrepublic@parker.com

DE – Germany, Kaarst

Tel: +49 (0)2131 4016 0
parker.germany@parker.com

DK – Denmark, Ballerup

Tel: +45 43 56 04 00
parker.denmark@parker.com

ES – Spain, Madrid

Tel: +34 902 330 001
parker.spain@parker.com

FI – Finland, Vantaa

Tel: +358 (0)20 753 2500
parker.finland@parker.com

FR – France, Contamine s/Arve

Tel: +33 (0)4 50 25 80 25
parker.france@parker.com

GR – Greece, Athens

Tel: +30 210 933 6450
parker.greece@parker.com

HU – Hungary, Budaörs

Tel: +36 23 885 470
parker.hungary@parker.com

IE – Ireland, Dublin

Tel: +353 (0)1 466 6370
parker.ireland@parker.com

IT – Italy, Corsico (MI)

Tel: +39 02 45 19 21
parker.italy@parker.com

KZ – Kazakhstan, Almaty

Tel: +7 7273 561 000
parker.easteurope@parker.com

NL – The Netherlands, Oldenzaal

Tel: +31 (0)541 585 000
parker.nl@parker.com

NO – Norway, Asker

Tel: +47 66 75 34 00
parker.norway@parker.com

PL – Poland, Warsaw

Tel: +48 (0)22 573 24 00
parker.poland@parker.com

PT – Portugal, Leca da Palmeira

Tel: +351 22 999 7360
parker.portugal@parker.com

RO – Romania, Bucharest

Tel: +40 21 252 1382
parker.romania@parker.com

RU – Russia, Moscow

Tel: +7 495 645-2156
parker.russia@parker.com

SE – Sweden, Spånga

Tel: +46 (0)8 59 79 50 00
parker.sweden@parker.com

SK – Slovakia, Banská Bystrica

Tel: +421 484 162 252
parker.slovakia@parker.com

SL – Slovenia, Novo Mesto

Tel: +386 7 337 6650
parker.slovenia@parker.com

TR – Turkey, Istanbul

Tel: +90 216 4997081
parker.turkey@parker.com

UA – Ukraine, Kiev

Tel: +48 (0)22 573 24 00
parker.poland@parker.com

UK – United Kingdom, Warwick

Tel: +44 (0)1926 317 878
parker.uk@parker.com

ZA – South Africa, Kempton Park

Tel: +27 (0)11 961 0700
parker.southafrica@parker.com

North America

CA – Canada, Milton, Ontario
Tel: +1 905 693 3000

US – USA, Cleveland

(industrial)
Tel: +1 216 896 3000

US – USA, Elk Grove Village

(mobile)
Tel: +1 847 258 6200

Asia Pacific

AU – Australia, Castle Hill

Tel: +61 (0)2-9634 7777

CN – China, Shanghai

Tel: +86 21 2899 5000

HK – Hong Kong

Tel: +852 2428 8008

ID – Indonesia, Tangerang

Tel: +62 21 7588 1906

IN – India, Mumbai

Tel: +91 22 6513 7081-85

JP – Japan, Fujisawa

Tel: +81 (0)4 6635 3050

KR – South Korea, Seoul

Tel: +82 2 559 0400

MY – Malaysia, Shah Alam

Tel: +60 3 7849 0800

NZ – New Zealand, Mt Wellington

Tel: +64 9 574 1744

SG – Singapore

Tel: +65 6887 6300

TH – Thailand, Bangkok

Tel: +662 186 7000

TW – Taiwan, New Taipei City

Tel: +886 2 2298 8987

VN – Vietnam, Ho Chi Minh City

Tel: +84 8 3999 1600

South America

AR – Argentina, Buenos Aires

Tel: +54 3327 44 4129

BR – Brazil, Cachoeirinha RS

Tel: +55 51 3470 9144

CL – Chile, Santiago

Tel: +56 2 623 1216

MX – Mexico, Toluca

Tel: +52 72 2275 4200



EMEA Product Information Centre

Free phone: 00 800 27 27 5374

(from AT, BE, CH, CZ, DE, DK, EE, ES, FI, FR, IE, IL, IS, IT, LU, MT, NL, NO, PL, PT, RU, SE, SK, UK, ZA)

US Product Information Centre

Toll-free number: 1-800-27 27 537

www.parker.com

Your local authorized Parker distributor