

Marine Gasoline - 025-RAC Series

FUEL

Specifications:

Height: 4.31" (10.94 cm)
Width: 2.25" (5.71 cm)
Depth: 2.10" (5.33 cm)
Weight (Dry): 0.36 lbs (0.16 kg)
Ports: 1/4" NPTF
Fuel Flow Rate: Gasoline - 25 gph (94 lph)
Service Clearance: 6.5" (16.51 cm) Below

Create a Part Number

Mounting Head

2 Fuel Ports
Marine Gasoline
25 gph (94 lph)

025-RAC

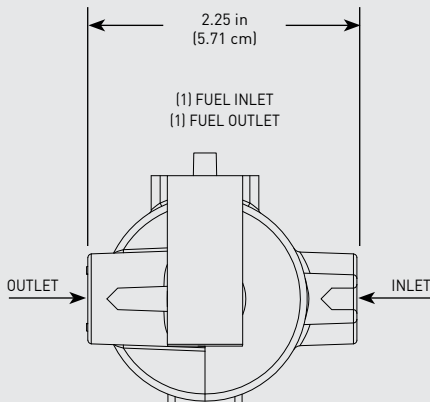
Filtration Type

250 micron
Cleanable Screen

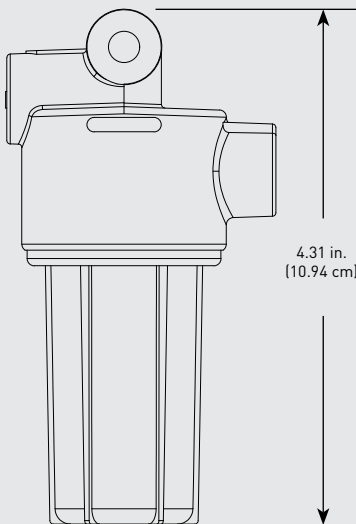
-01

RACOR[®]

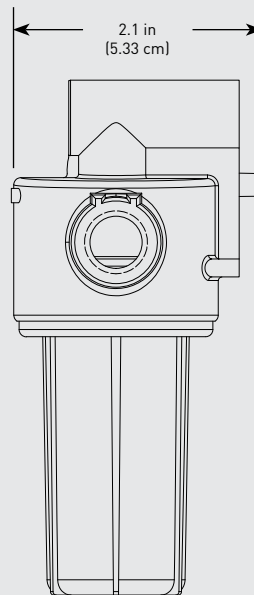
Dimensions:



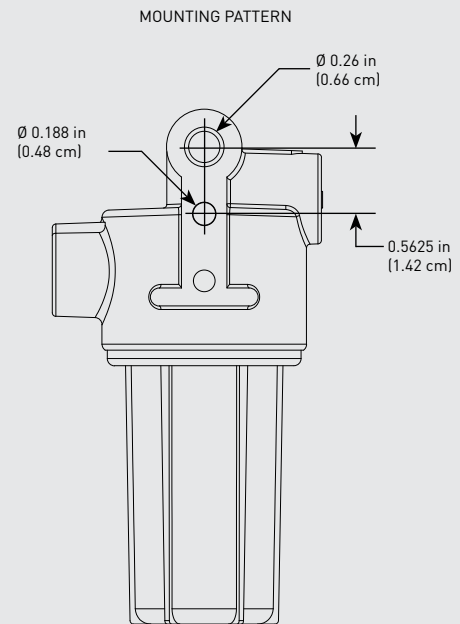
Top



Front



Profile



Back

ASSEMBLIES DESCRIPTION

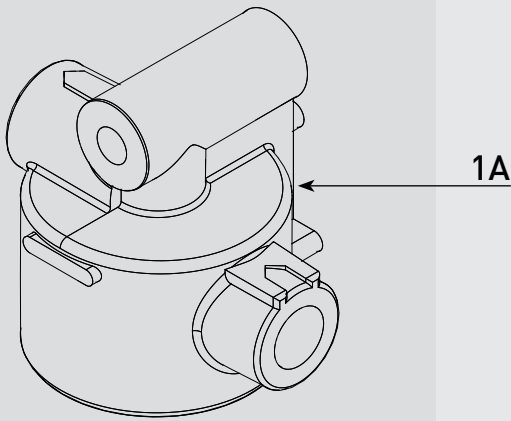
025-RAC-01 Marine Fuel, FF, 25 gph (Gasoline) Flow Rate, 250 Micron Filtration



PARTS

Marine Gasoline - 025-RAC Series

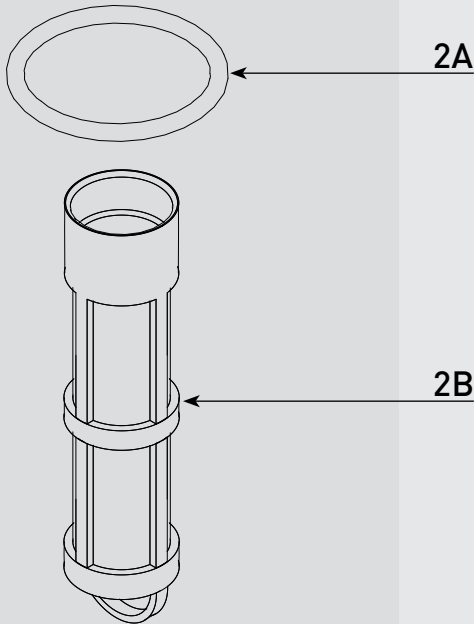
1



1A

| Part # | Description |
|--------------------|---|
| 1A | 025-RAC Head Assembly |
| 2A | Bowl O-ring - <i>Included in 2B & 2C</i> |
| 2B S2501 | 025-RAC-01 Replacement Filter - 250 micron - <i>Includes 2A</i> |
| 3A RK 31391 | 025-RAC Replacement Bowl Assembly - <i>Includes 2A</i> |

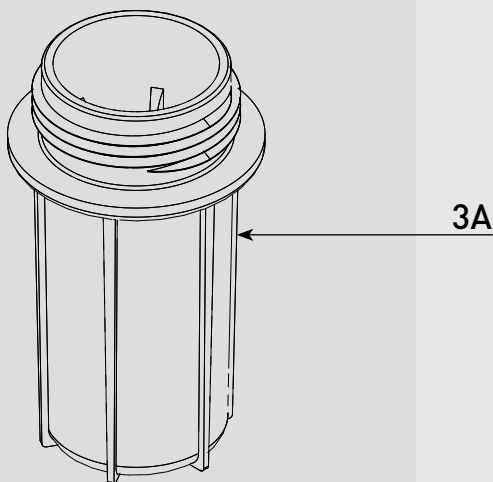
2



2A

2B

3



3A

Online Link
Fuel Prefilters and Strainers Product Selector

