

ACC100 Sensors

Product Catalog



ENGINEERING YOUR SUCCESS.

Application

The ACC100 inclinometer sensor belongs to the Parker family of accessories provided to complement electronic control systems. The ACC100 is a 5 Vdc, dual output inclinometer built with accelerometer technology for mobile hydraulic applications. The ACC100 can be used to sense tilt and motion of the equipment where it is mounted. The sensor has twelve inch leads with an attached Deutsch connector. To make the sensor suitable for mobile equipment, we have focused upon properties such as reliability, electromagnetic immunity and ease of installation.

Properties

Reliability

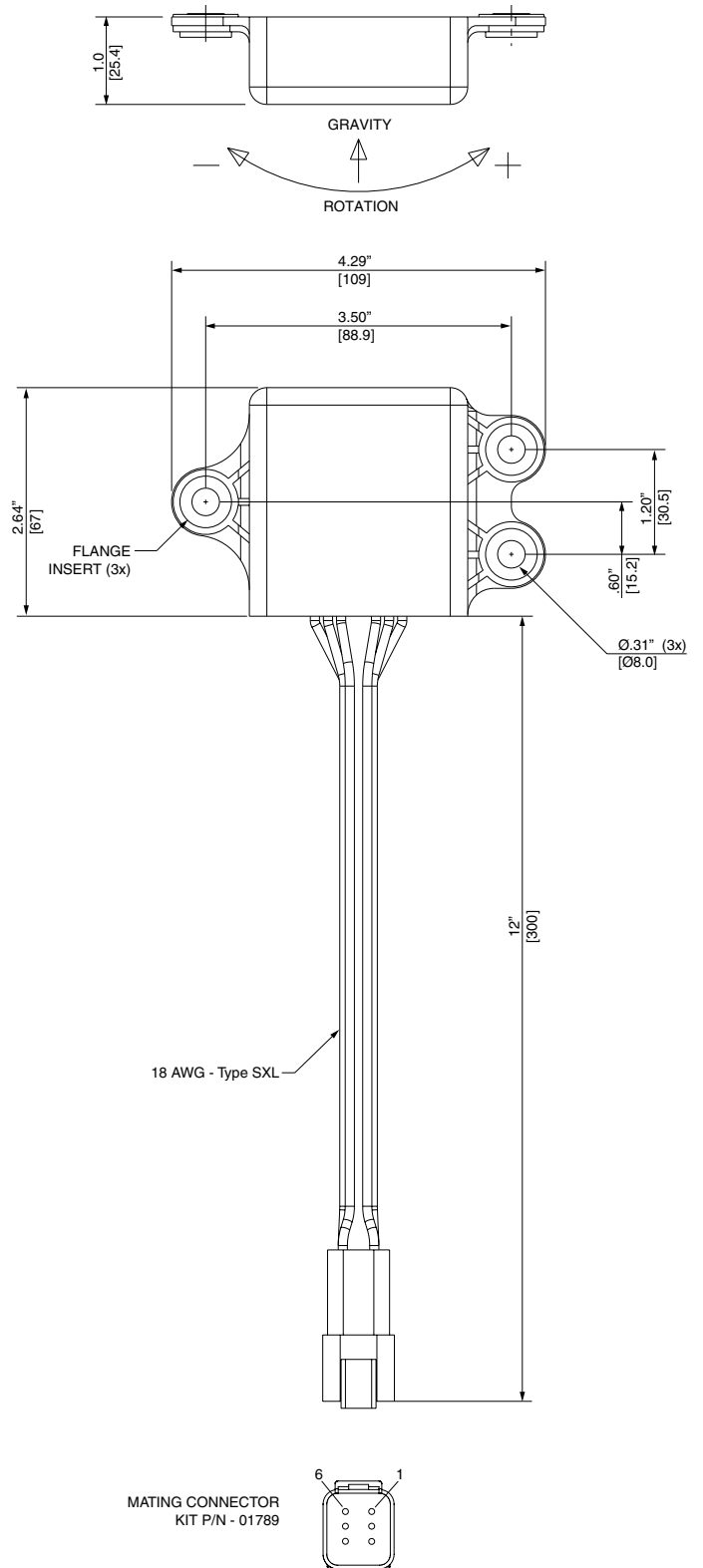
The ACC100 has a glass-filled nylon plastic construction for sturdiness and corrosion resistance. The sensor uses micro-machined technology for trouble free operation. The second output makes this sensor very reliable and adds redundancy. The sensor is very robust and able to withstand rugged applications.

Electromagnetic immunity

The design of the ACC100 has a high level of EMI protection.

Installation

The ACC100 is well designed for the mobile hydraulics industry. The 6 pin connector is a sealed Deutsch DTM type designed for automotive use. This connector combined with potted electronics gives the sensor IP67 protection for exposed outdoor applications. The 3 reinforced mounting holes are large, and the tripod mount simplifies leveling and alignment. These features provide for easy installation and removal, even in field conditions.



General

Weight	0.22 kg
Temperature range	-40°C to 85°C
Operating life	1 billion cycles
Measuring range	±40 degrees
Total error	±0.1 V (±5.3 degrees)

Mechanical characteristics

Mounting plane	Horizontal
Connector	Deutsch DTM

Electrical specifications

Zero point	2.434 Vdc
+40 degrees (primary)	3.192 Vdc nominal
+40 degrees (secondary)	1.675 Vdc nominal
-40 degrees (primary)	1.675 Vdc nominal
-40 degrees (secondary)	3.192 Vdc nominal
Supply Voltage(Vs)	5.0 Vdc
Current supply	Max 5 mA
Output range	1.675 - 3.192 Vdc

Ordering part number

ACC100	171383ECD
--------	-----------

Environmental protection

EMI	ISO 11452-2	100 V/m
ESD	EN 61000-4-2	7 kV

Mechanical

Shock	50 Gs
Vibration	30 Gs

Climate

Sealing (electronics)	IP67
-----------------------	------

Chemical environment

Liquids (resistance)	standard automotive
----------------------	---------------------

Markings and Approvals

CE	2014/30/EU EMC
	2011/65/EU RoHS2



WARNING - USER RESPONSIBILITY

FAILURE OR IMPROPER SELECTION OR IMPROPER USE OF THE PRODUCTS DESCRIBED HEREIN OR RELATED ITEMS CAN CAUSE DEATH, PERSONAL INJURY AND PROPERTY DAMAGE.

- This document and other information from Parker-Hannifin Corporation, its subsidiaries and authorized distributors provide product or system options for further investigation by users having technical expertise.
- The user, through its own analysis and testing, is solely responsible for making the final selection of the system and components and assuring that all performance, endurance, maintenance, safety and warning requirements of the application are met. The user must analyze all aspects of the application, follow applicable industry standards, and follow the information concerning the product in the current product catalog and in any other materials provided from Parker or its subsidiaries or authorized distributors.
- To the extent that Parker or its subsidiaries or authorized distributors provide component or system options based upon data or specifications provided by the user, the user is responsible for determining that such data and specifications are suitable and sufficient for all applications and reasonably foreseeable uses of the components or systems.

OFFER OF SALE

The items described in this document are hereby offered for sale by Parker-Hannifin Corporation, its subsidiaries or its authorized distributors. This offer and its acceptance are governed by the provisions stated in the detailed "Offer of Sale" available from your Parker representative or at www.parker.com.



WARNING - California Proposition 65

This product can expose you to chemicals including CARBON BLACK (AIRBORNE, UNBOUND PARTICLES OF RESPIRABLE SIZE), NICKEL COMPOUNDS, SILICA, CRYSTALLINE (AIRBORNE PARTICLES OF RESPIRABLE SIZE) (O2S1) which is known to the State of California to cause cancer.

For more information go to www.P65Warnings.ca.gov

Parker Motion Systems International Sales Offices

North America

Motion Systems Group

Headquarters

6035 Parkland Boulevard
Cleveland, OH 44124-4141 USA
Tel: 216-896-3000
Fax: 216-896-4031

Parker Canada Division

160 Chisholm Drive Milton
Ontario Canada L9T 3G9
Tel: 905-693-3000
Fax: 905-876-1958

Parker Hannifin de México

Industrial Hydraulic Sales
Eje Uno Norte No.100
Parque Industrial Toluca 2000
Toluca, Edo, de Mexico CP 50100
Tel: 52 722 275 4200
Fax: 52 722 279 9308

Parker Hannifin de México

Mobile Hydraulic Sales
Via de FFCC a Matamoros 730
Apodaca, NL, de Mexico CP 66600
Tel: 52 81 8156 6000
Fax: 52 81 8156 6068

Europe

Motion Systems Group

Headquarters

La Tuilière 6
1163 Etoy - Switzerland
Tel: 41 21 821 8500
Fax: 41 21 821 8580

South Africa

Parker Hannifin Africa Pty Ltd

P.O. Box 1153
ZA-Kempton Park 1620,
Republic of South Africa
Tel: 27 11 961 0700
Fax: 27 11 392 7213

Mobile Sales

Mobile Sales Organization and Global Sales

850 Arthur Avenue
Elk Grove Village, IL 60007 USA
Tel: 847-258-6200
Fax: 847-258-6299

Industrial Sales

Central Region

1042 Maple Avenue
Unit 331
Lisle, IL 60532 USA
Tel: 630-964-0796

Great Lakes Region

6035 Parkland Boulevard
Cleveland, OH 44124-4141 USA
Tel: 216-896-2740
Fax: 866-498-7507

Gulf Region

20002 Standing Cypress Drive
Spring, TX 77379 USA
Tel: 817-473-4431
Fax: 888-227-9454

Southwest Region

700 S. 4th Avenue
Mansfield, TX 76063 USA
Tel: 817-473-9341
Fax: 817-473-2680

Mid Atlantic and Southeast Regions

1225 Old Alpharetta Road
Suite 290
Alpharetta, GA 30005 USA
Tel: 770-619-9767
Fax: 770-619-9806

Midwest Region

8145 Lewis Road
Minneapolis, MN 55427 USA
Tel: 763-513-3535
Fax: 763-544-3418

Northeast Region

P.O. Box 396
Pine Brook, NJ 07058 USA
Tel: 973-227-2565
Fax: 973-227-2467

Northwest Region

6458 North Basin Avenue
Portland, OR 97217 USA
Tel: 503-283-1020
Fax: 866-611-7308

Pacific Region

8460 Kass Drive
Buena Park, CA 90621
Tel: 714-228-2510
Fax: 714-228-2511

Asia Pacific

Parker Hannifin Shanghai Ltd

280 Yunqiao Road,
Jin Qiao Export Processing Zone
Shanghai 201206, China
Tel: 86 21 2899 5000
Fax: 86 21 6445 9917

Parker Hannifin Hong Kong Ltd

8/F, Kin Yip Plaza
9 Cheung Yee Street
Cheung Sha Wan, Hong Kong
Tel: 852 2428 8008
Fax: 852 2425 6896

Parker Hannifin Korea Ltd

9F KAMCO Yangjae Tower
949-3 Dogok1-dong, Gangnam-gu
Seoul, 135-860, Korea
Tel: 82 2 559 0400
Fax: 82 2 556 8187

Parker Hannifin India Pvt Ltd

Plot No. EL-26, MIDC
TTC Industrial Area
Mahape, Navi Mumbai, 400 709 India
Tel: 91 22 6513 7081
Fax: 91 22 2768 6841

Parker Hannifin Australia

Parker Hannifin Pty Ltd.
9 Carrington Road
Castle Hill, NSW 2154, Australia
Tel: 612 9634 7777
Fax: 612 9842 5111

Latin America

Parker Hannifin Ind. e Com. Ltda Hydraulics Division

Av. FredericoRitter, 1100
94930-000 Cachoeirinha RS, Brazil
Tel: 55 51 3470 6090
Fax: 55 51 3470 9281

Parker Hannifin Argentina S.A.I.C.

Stephenson 2711
1667-Tortuguitas-Malvinas Argentinas
Pcia. de Buenos Aires, Argentina
Tel: 54 3327 44 4129
Fax: 54 3327 44 4199

Pan American Division

7400 NW 19th Street, Suite A
Miami, FL 33126 USA
Tel: 305-470-8800
Fax: 305-470-8808

