

# Marine Gasoline - 025-RAC Series

# FUEL

## Specifications:

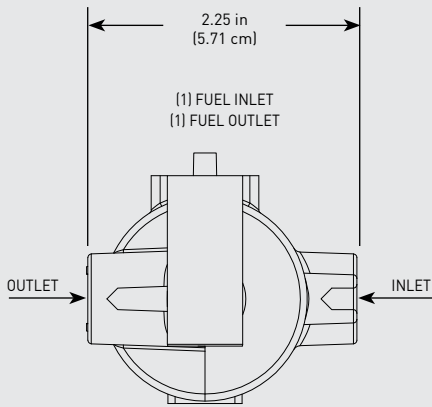
**Height:** 4.31" (10.94 cm)  
**Width:** 2.25" (5.71 cm)  
**Depth:** 2.10" (5.33 cm)  
**Weight (Dry):** 0.36 lbs (0.16 kg)  
**Ports:** 1/4" NPTF  
**Fuel Flow Rate:** Gasoline - 25 gph (94 lph)  
**Service Clearance:** 6.5" (16.51 cm) Below

Create a Part Number

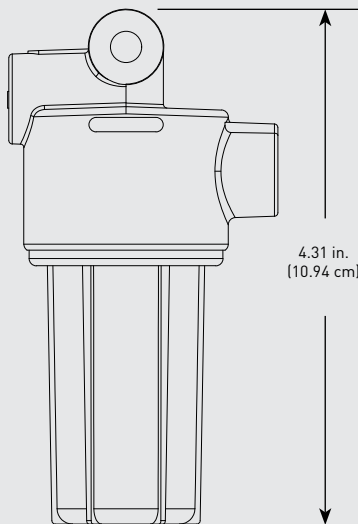
Mounting Head	Filteration Type
2 Fuel Ports Marine Gasoline 25 gph (94 lph)	250 micron Cleanable Screen
025-RAC	-01 -02

**RACOR®**

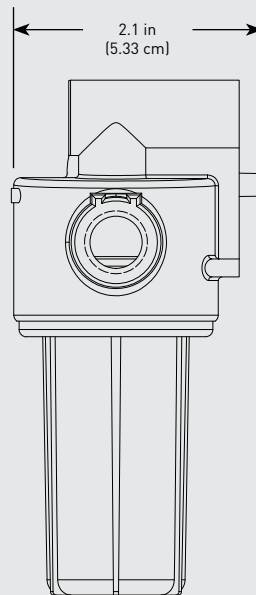
## Dimensions:



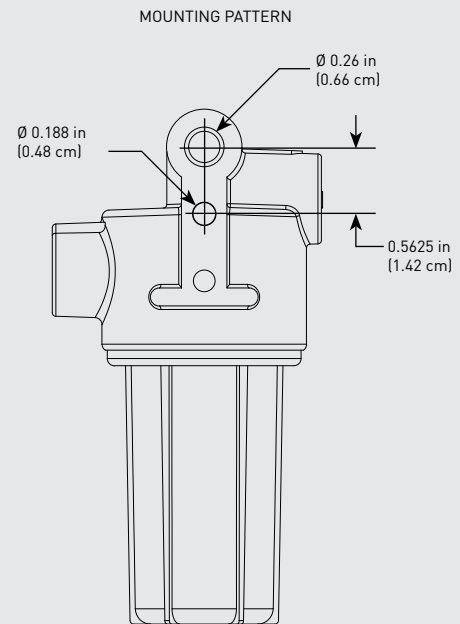
Top



Front



Profile



Back

## ASSEMBLIES DESCRIPTION

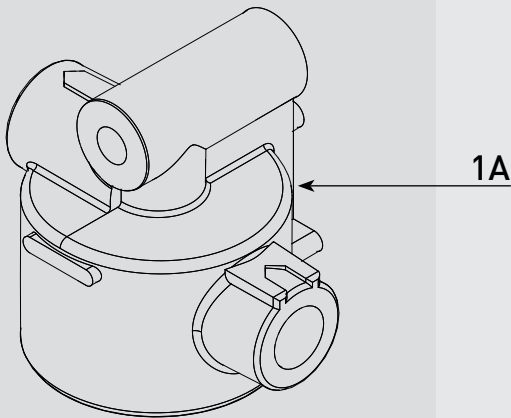
ASSEMBLIES	DESCRIPTION
025-RAC-01	Marine Fuel, FF, 25 gph (Gasoline) Flow Rate, 250 Micron Filtration
025-RAC-02	Marine Fuel, FF/WS, 25 gph (Gasoline) Flow Rate, 10 Micron Filtration



# PARTS

## Marine Gasoline - 025-RAC Series

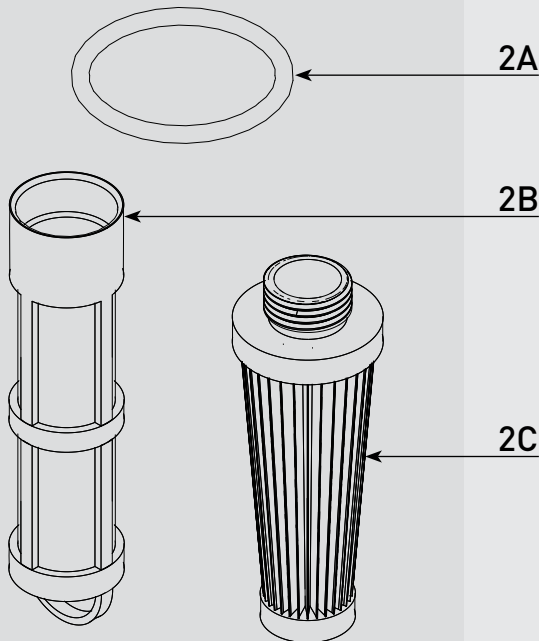
1



1A

Part #	Description
<b>1A</b>	025-RAC Head Assembly
<b>2A</b>	Bowl O-ring - <i>Included in 2B &amp; 2C</i>
<b>2B</b> S2501	025-RAC-01 Replacement Filter - 250 micron - <i>Includes 2A</i>
<b>2C</b> S2502	025-RAC-02 Replacement Filter - 10 micron - <i>Includes 2A</i>
<b>3A</b> RK 31391	025-RAC Replacement Bowl Assembly - <i>Includes 2A</i>

2

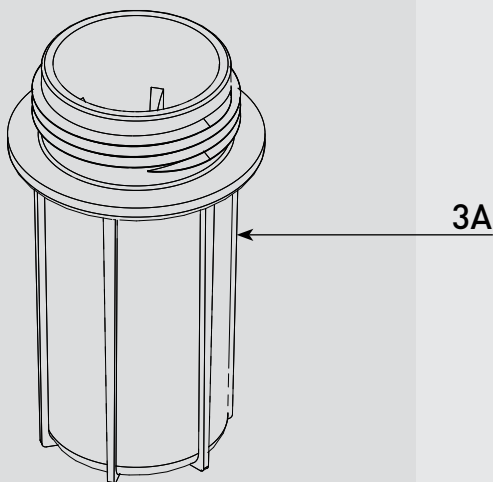


2A

2B

2C

3



3A

Online Link  
Fuel Prefilters and Strainers Product Selector

