

# SLIMVENT®

## EMI Shielded Thin, Lightweight Panels for Air Intake and Exhaust Ports

SLIMVENT air ventilation panels provide 90 dB attenuation at 1 MHz to 50 dB at 10 GHz. The panels are made from expanded aluminum or monel (a nickel-copper alloy) foil, secured in an extruded aluminum frame only 0.187 in. (4.75 mm) thick.

This narrow profile is ideal for accommodating critical space limitations at air intake and exhaust ports. The frame features an integral wire mesh gasket for EMI shielding at the mounting interface.

### Ordering Procedure

Parker Chomerics' SLIMVENT air panels are custom fabricated to specified dimensions. Part numbers will be assigned by Parker Chomerics. A detailed drawing should be provided to Parker Chomerics.

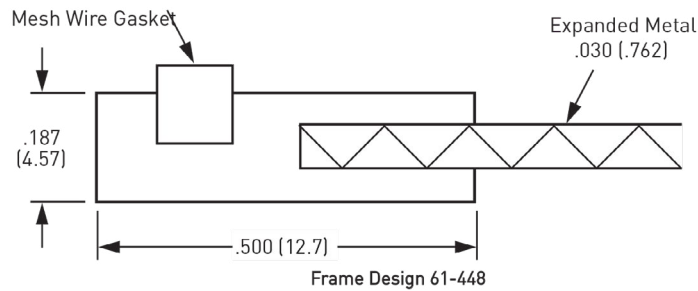
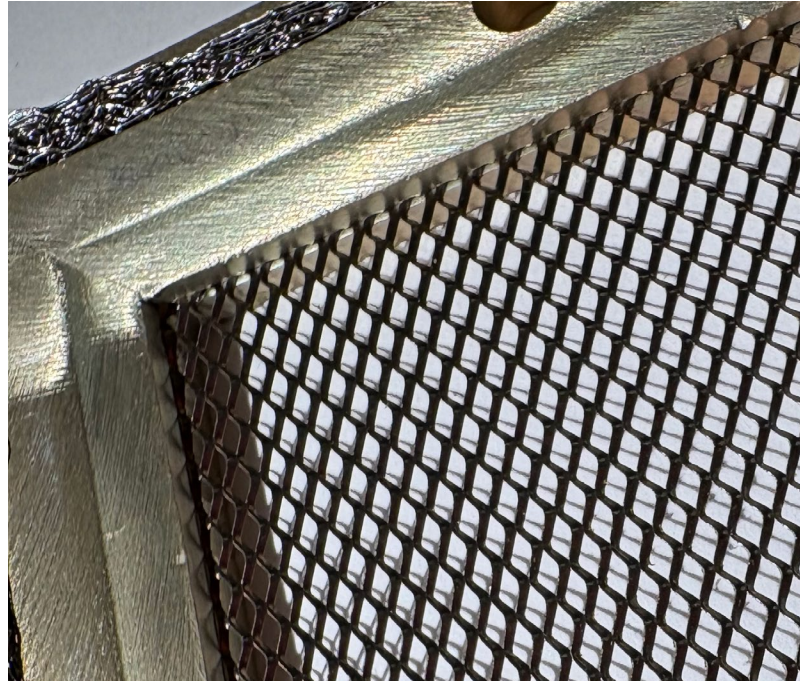
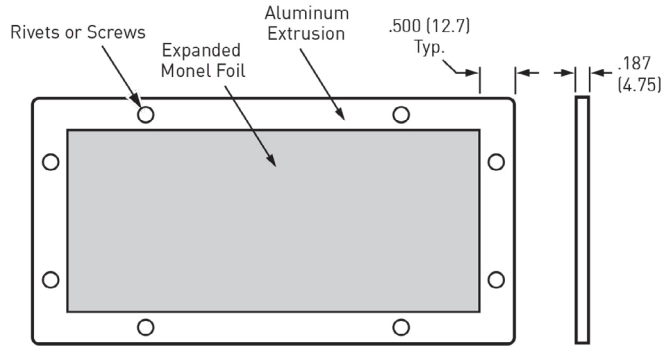
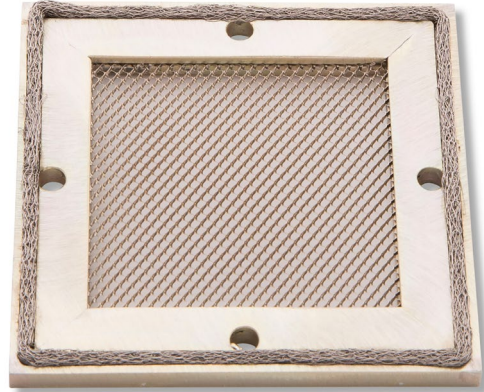


Figure 1 Typical SLIMVENT Filter Construction

Parker Hannifin Corporation  
**Chomerics Division**  
77 Dragon Court  
Woburn, MA 01801  
Phone 781 935 4850  
Fax 781 933 4318  
chomailbox@parker.com  
[parker.com/chomerics](http://parker.com/chomerics)

CHODS1202 July 2025

©2025 Parker Hannifin Corporation



### We're Here to Help

Scan QR code or visit [parker.com/chomerics](http://parker.com/chomerics) to:

- [Request a Free Sample](#)
- [Talk to an Expert](#)
- [Get a Quote](#)
- [Find Where to Buy](#)

