



## PSD Housings

Sanitary Stainless Steel Lenticular Series

Parker's PSD Series sanitary stainless steel lenticular housings have been designed to meet the sanitary quality standards of the food & beverage, cosmetics, electronic, pharmaceutical, and chemical industries for depth filtration. The highly polished mirror finish of the 316L filter housings inside and out provide superior corrosion resistance and minimize the process fluid from adhering to the internal surfaces, thus enhancing the cleaning operation. The highly corrosive-resistant material is ideal because of its superior strength and chemical compatibility. PSD housings are designed for complete disassembly, allowing full access to all internal surfaces for easy cleaning, draining, and sampling and are designed with a secure swing away bolt closure. The housings accommodate both the 12.0 and 16.0 inch diameter lenticular discs in multiple stack heights to offer a wide choice of filter media area and flow rates.

### Features and Benefits

- Sanitary design constructed of 316SS
- Aseptic design
- One-piece flow insert
- Inside and out mirror finish
- User-friendly vertical design
- Center post alignment guides
- Total enclosed depth filtration system
- Multiple filter area selections available
- Quick-release toggle action clamps
- Fully self-draining
- Provides easy venting
- Easy filter change-out
- Maximum product recovery
- Complete access for cleaning
- Reduces bacteria and particle adhesion
- Suitable for small through large batch sizes
- Housings can be steam sterilized in situ or autoclaved
- Flows from 20 to 75 gpm (75 to 300 lpm) per housing



## Specifications

### Materials of Construction

Head, Dome: 316L Stainless Steel  
 Vent, Drain: 316L Stainless Steel  
 Gauge: 316L Stainless Steel  
 Bolts, Legs: 304 Stainless Steel  
 O-Rings: Silicone, PTFE, EPDM, Buna-N, Viton®

### Surface Finish

Exterior Finish: Electropolished <0.8 RA  
 Interior Finish: Electropolished <0.4 RA

### Operating Conditions

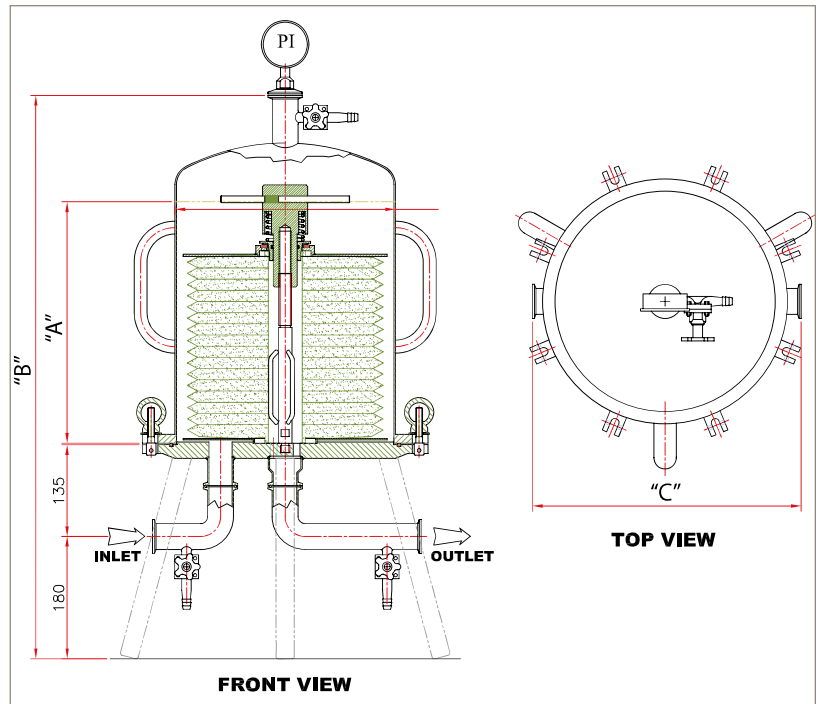
Maximum Operating Pressure	Maximum Operating Temperature
142 psi (9.8 bar)	248°F (120°C)

### Certification

All housings supplied with complete documentation which meets CGMP and FDA compliance.

### Housing Specifications

Model	Description	Filtration Area (in/m <sup>2</sup> )	'A' (in/mm)	'B' (in/mm)	'C' (in/mm)	'D' (in/mm)	Approx. Holdup Volume (ltr)
16 Cell	Ø12" x 16 Cell-1HIGH	1.6	355	830	395	320	34
32 Cell	Ø12" x 32 Cell-2HIGH	3.2	645	1120	395	320	57
48 Cell	Ø12" x 48 Cell-3HIGH	4.8	925	1400	395	320	80
64 Cell	Ø12" x 64 Cell-4HIGH	5.4	1160	1635	395	320	99
14 Cell	Ø16" x 14 Cell-1HIGH	3.4	355	842	550	440	65
28 Cell	Ø16" x 28 Cell-2HIGH	6.8	645	1132	550	440	109
42 Cell	Ø16" x 42 Cell-3HIGH	10.2	925	1412	550	440	151
56 Cell	Ø16" x 56 Cell-4HIGH	13.6	1160	1647	550	440	187



### Housing Selection Guide

PSDSM	16	1	0	T	D	1	T	B	S	S	S	EP	B
Housing Model	#Cells	Diameter	Inlet/Outlet	Connection Type	Gauge Port	Vent/Drain Connection Size	Vent/Drain Connection Type	Vessel Closure	Vessel Closure Mechanism	Seal	Module Support Post	Finish	Adapter
16 32 48 64	1 = 12" 2 = 16"	0 = 1 1/2" (1 high only) 1 = 2" (2, 3 & 4 high only)	T = Tri-Clamp D = 1 1/2" TC 1 = 1/2" T = Tri-Clamp	B = Bottom (all styles) M* = Middle *12" diam, 3 & 4 high / 16" diam, 2, 3 & 4 high	S = Swing Away Bolt E = EPDM S = Silicone V = Viton®	S = Sanitary Flange	EP = Electro Polish Blank = Flat B = Bayonet						

**NOTE:** The PSD housing options listed above reflect our **standard** housings. Any changes to these options can result in a different part number. Please contact Parker if other options are required.

**WARNING:** This product can expose you to chemicals including silica, which is known to the State of California to cause cancer. For more information go to [www.P65Warnings.ca.gov](http://www.P65Warnings.ca.gov).

Parker has a continuous policy of product development and although the Company reserves the right to change specifications, it attempts to keep customers informed of any alterations. This publication is for general information only and customers are requested to contact our Sales Department for detailed information and advice on a products suitability for specific applications. All products are sold subject to the company's Standard conditions of sale.