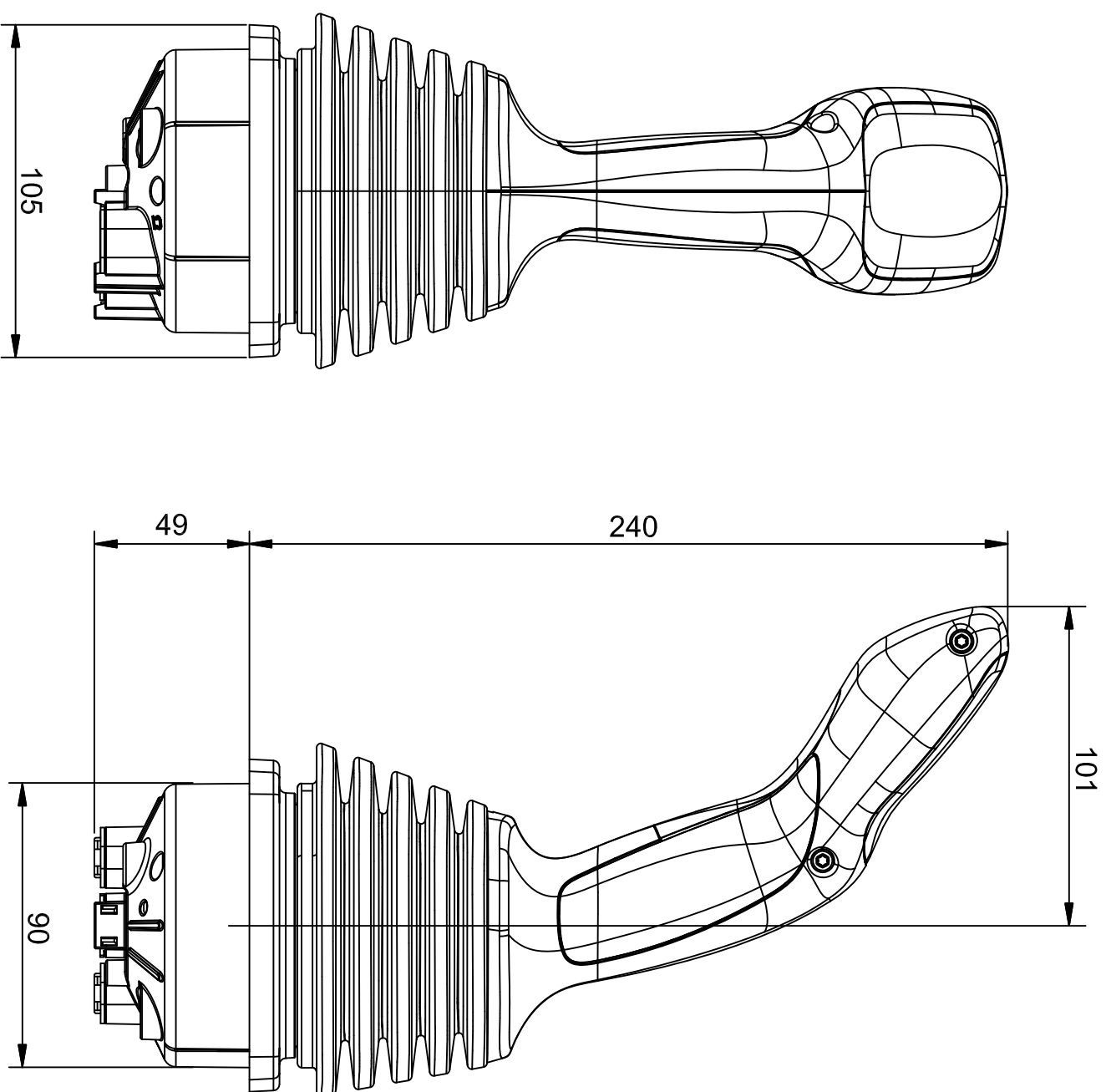


Alternative mounting holes
(Ø 108)



For further information see:
HY33-8404-IB/UK instructions IQAN-LC5-C0X

Scale



Approval state
Pending

Designed by
K Larsen

Revision date
2015-07-07



Parker Hannifin ECD

IQAN-LC5-C01-MPB0W0T0

20077723-MARKETING

Revision
A

Sheet
1 / 1