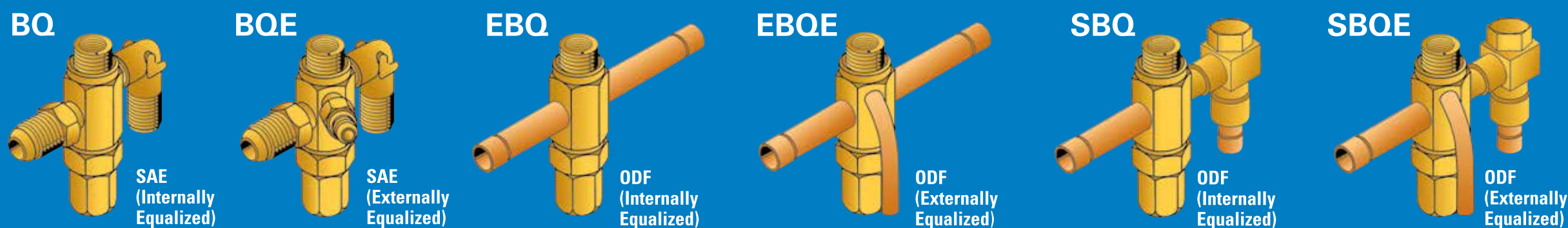
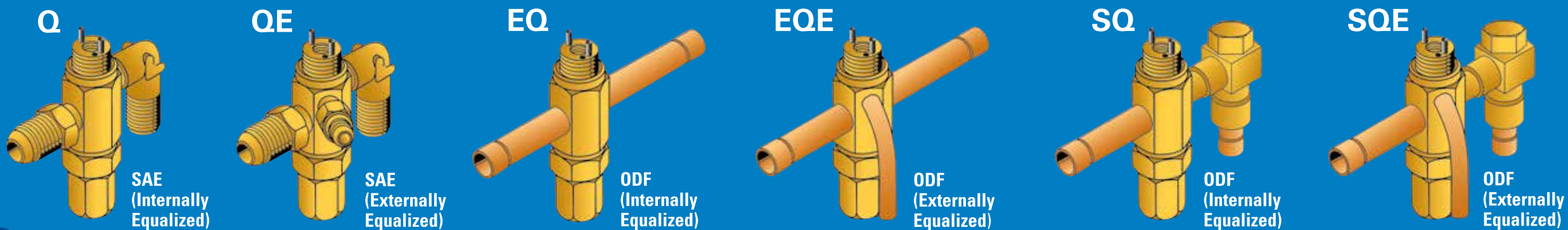
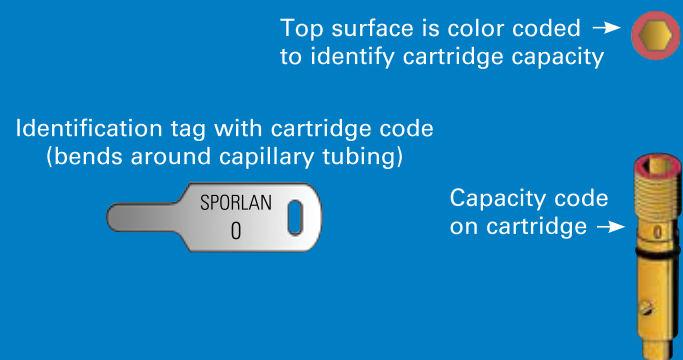


INTERCHANGEABLE CARTRIDGE TEVs

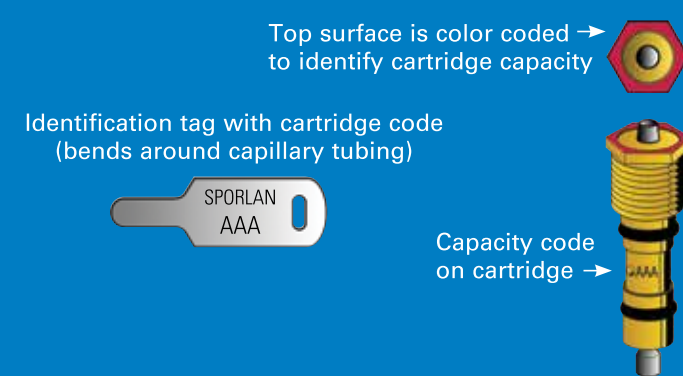
1 BODY



2 CARTRIDGE



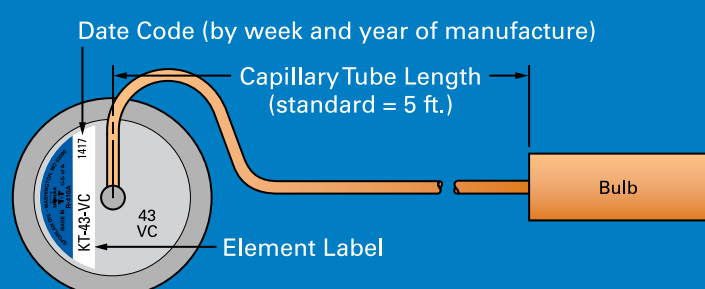
NOMINAL CAPACITY (tons) of the Valve to be REPLACED					Q VALVE CARTRIDGE	
R-22/422D	R-134a/513A	R-404A/507	R-407A/C/F	R-448A/449A	SIZE	COLOR CODE
1/4	1/8	1/8	1/4	1/4	0	RED
1/3	1/6	1/6	1/3	1/3		
1/2 or 3/4	1/4	1/4	1/2 or 3/4	1/2 or 3/4	1	YELLOW
1	1/2	1/2	1	1	2	GREEN
1-1/2	1	1	1-1/2	1-1/2	3	BLUE
2 or 2-1/2	1-1/2	1-1/2	2 or 2-1/2	2 or 2-1/2	4	PINK
3	2	2	3	3	5	BLACK
4 or 5	2-1/2 or 3	3	4 or 5	4 or 5	6	WHITE



NOMINAL CAPACITY (tons) of the Valve to be REPLACED						BQ VALVE CARTRIDGE	
R-22/422D	R-134a/513A	R-404A/507	R-407A/C/F	R-410A	R-448A/449A	SIZE	COLOR CODE
1/8 thru 1/3	1/8 thru 1/5	1/8 thru 1/5	1/8 thru 1/3	1/4 thru 1/3	1/8 thru 1/3	AAA	RED
1/2 thru 2/3	1/4 thru 1/3	1/4 thru 1/3	1/2 thru 2/3	1/2 thru 3/4	1/2 thru 2/3	AA	YELLOW
3/4 thru 1-1/2	1/2 thru 1	1/2 thru 1	3/4 thru 1-1/2	1 thru 1-3/4	3/4 thru 1-1/2	A	BLUE
1-3/4 thru 3	1-1/4 thru 1-3/4	1-1/4 thru 2	1-3/4 thru 3	2 thru 3-1/2	1-3/4 thru 3	B	PINK
3-1/4 thru 5-1/2	2 thru 3	2-1/4 thru 3	3-1/4 thru 5-1/2	4 thru 6	3-1/4 thru 5-1/2	C	WHITE

Note: BQ cartridge AA, A, B and C are also available with 15% bleed for R-22 and R-410A.

3 ELEMENT

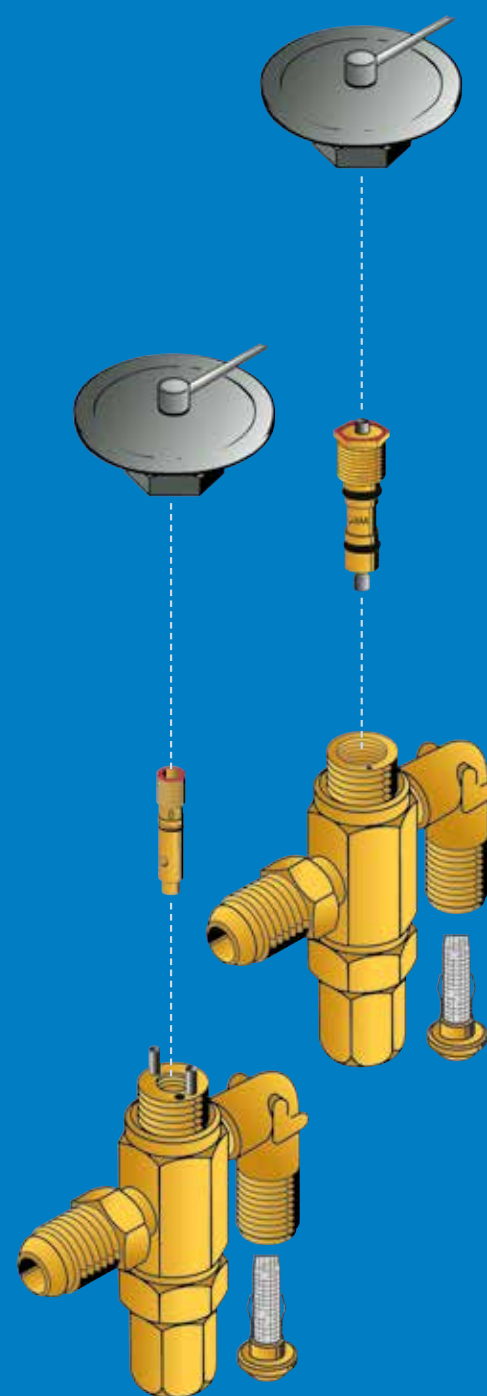


KT	43	V	C
Abbreviation for "Kit"	Element Size Number	*Refrigerant Code	Thermostatic Charge

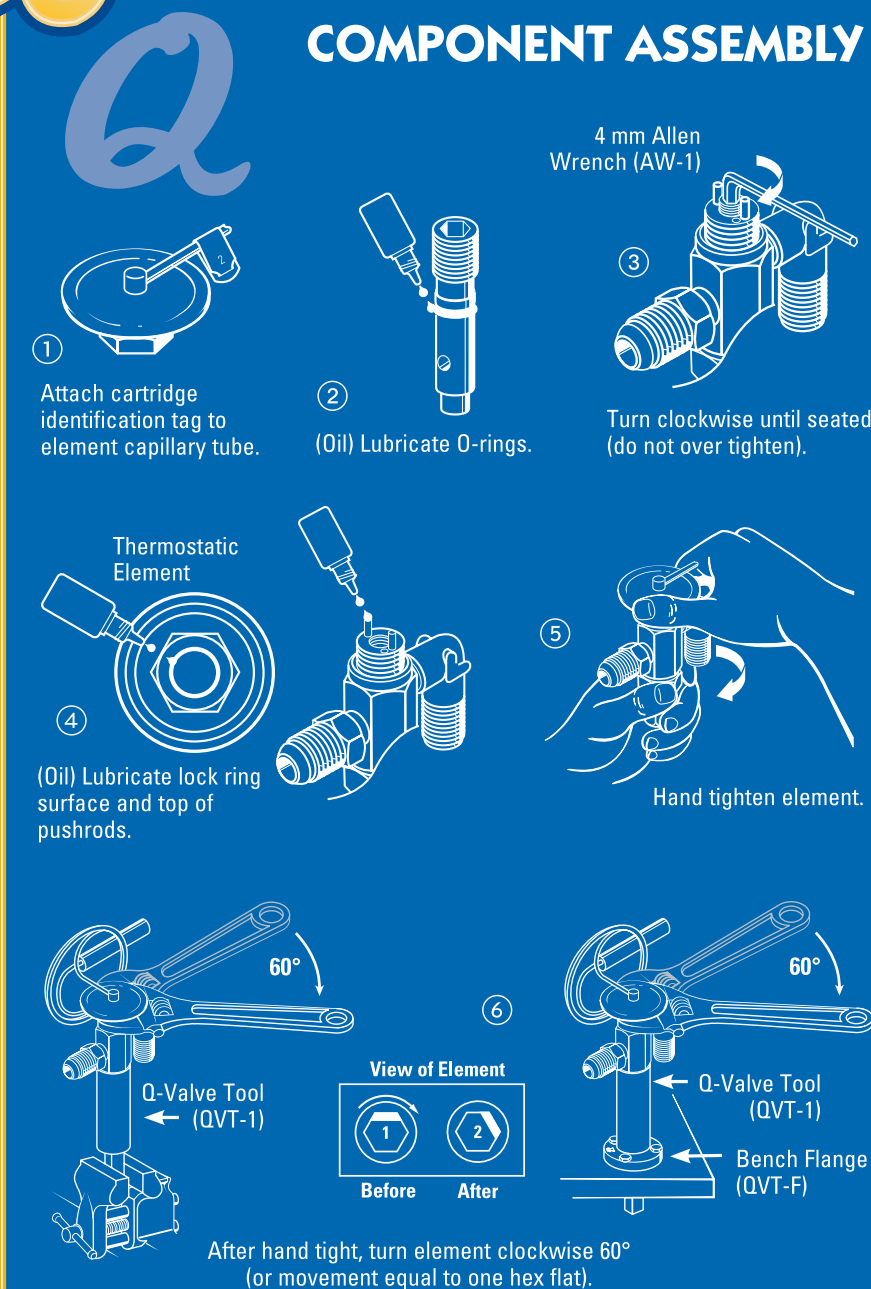
* While many new refrigerants and refrigerant blends have a unique letter code, many use the same thermostatic element as the traditional refrigerant they replace. Refer to the table at right to select the correct thermostatic element.

APPLICATION	REFRIGERANT										THERMOSTATIC ELEMENT	SYSTEM MOP psig	
	22	134a	404A	407A	407C	407F	410A	448A	449A	507			513A
AIR CONDITIONING	-	X	-	-	-	-	-	-	-	-	X	KT-43-JCP60	50
	X	-	-	X	X	X	-	X	X	-	-	KT-43-VCP100	90
	-	-	X	-	-	-	-	-	-	-	-	KT-43-VGA	-
	-	-	-	-	-	-	X	-	-	-	-	KT-43-SCP115	105
	-	-	-	-	-	-	-	-	-	-	-	KT-45-ZGA	-
COMMERCIAL REFRIGERATION 50°F to -10°F	-	X	-	-	-	-	X	-	-	-	X	KT-43-JC	-
	X	-	-	X	X	X	-	X	X	-	-	KT-43-VC	-
	-	-	X	-	-	-	-	-	-	-	-	KT-43-SC/PC	-
LOW TEMPERATURE REFRIGERATION 0°F to -40°F	X	-	-	X	X	X	-	X	X	-	-	KT-43-VZ	-
	X	-	-	X	X	X	-	X	X	-	-	KT-43-VZP40	30
	-	X	-	-	-	-	-	-	X	-	-	KT-43-SZ	-
	-	-	X	-	-	-	-	-	X	-	-	KT-43-SZP	35

The Sporlan type ZP thermostatic charges have essentially the same characteristics as the conventional Z cross charges with one exception: they produce a pressure limit or MOP. The ZP charges are not intended as replacements for the Z charges - they should only be used where a definite pressure limit is required to prevent overloading the motor.



COMPONENT ASSEMBLY



COMPONENT ASSEMBLY

