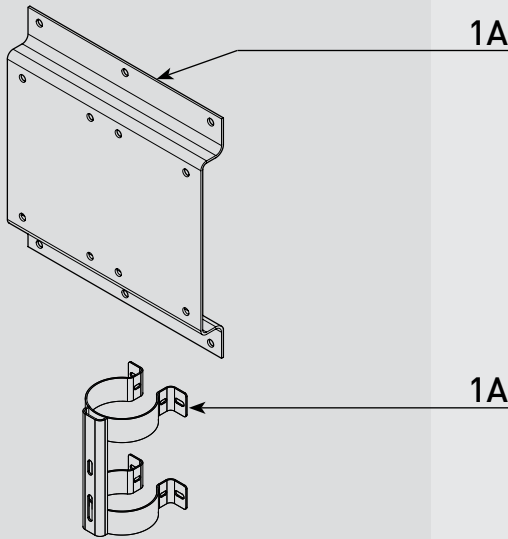




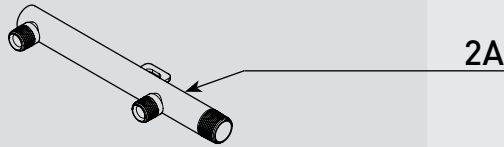
# PARTS

## Turbine Series - 731000MA-MAM

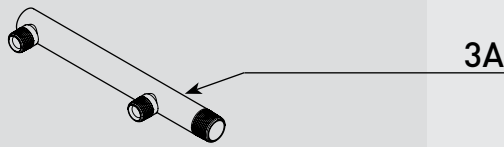
1



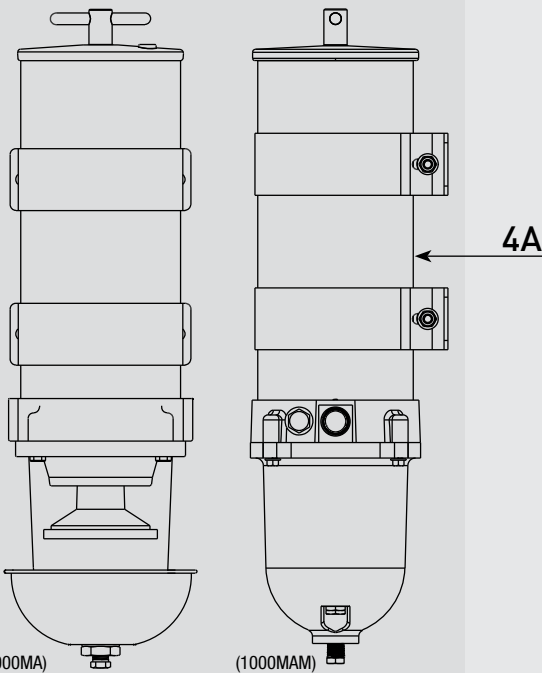
2



3



4



(1000MA) (1000MAM)  
See **RSL0293**  
For 1000MA Parts Breakdown

Part #	Description
1A	Mounting Bracket - <i>Contact Technical Support</i>
1B	Manifold Assembly Bracket - <i>Contact Technical Support</i>
2A	Outlet Manifold Tube - <i>Contact Technical Support</i> Outlet Manifold Tube - <i>Contact Technical Support</i>
3A	RK 11892 Inlet Manifold Tube (3/4"-14 NPT) (Beige Color)
4A	Turbine Fuel Filter - 1000MA Series See Cutsheet <b>RSL0293</b> for available Parts and Accessories

### Accessories and Parts Available (Not Shown)

5A	RK 11-1404	Complete Seal Service Kit - 1000MA Series Filters (Requires 2)
5B	RK 21069 RK23191	WIF Probe (pig tail) - 1/2"-20 UNF - <b>Requires 5C</b> WIF Probe (Steel/pig tail) - 1/2"-20 UNF - <b>Requires 5C</b>
5C	RK 14329 RK 14321	Water Detection Module - 12 vdc Water Detection Module - 24 vdc
6A		Bowl Gasket - <b>Included in 5A</b>
6B	RK 11-1606-1	MA Bowl Kit (Clear) - <b>Includes 6A, 6C, Gasket &amp; O-ring</b>
6C	RK 20126	Plastic Bowl Plug Kit (MA) ( <b>O-ring Included in 5A</b> )
6D	RK 11868	Heat Deflector Kit (MA) - <b>Includes 6E</b>
6E	RK 11-1910	Drain Plug Kit (MA) ( <b>Gasket &amp; O-ring Included in 5A</b> )
7A	2020N-02 2020N-10 2020N-30	1000MA Replacement Element 2 micron 1000MA Replacement Element 10 micron 1000MA Replacement Element 30 micron

### Certifications

Model <b>MA</b>	 	Model <b>MAM</b>	    
--------------------	------	---------------------	------------------



Online Link  
Turbine Series Selector



Online Link  
Turbine Series  
Replacement Parts Selector