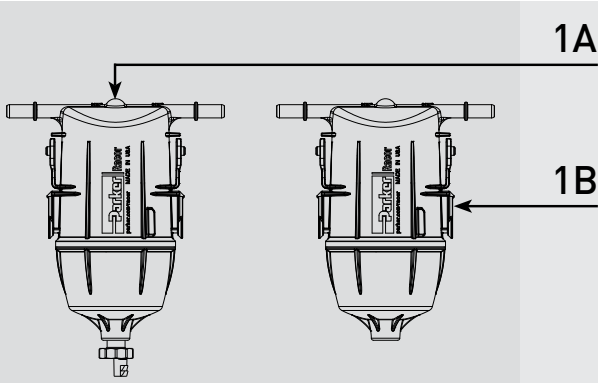


PARTS

SNAPP Series

1

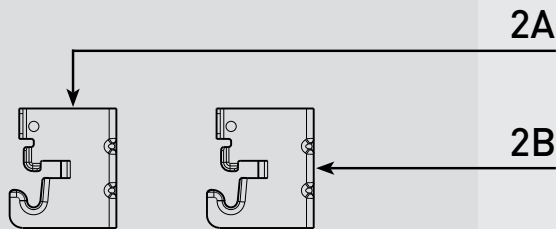


1A

1B

| Part # | Description |
|--------|--|
| 1A | See Front - Build a Part Number SNAPP Fuel Filter with Drain - Available in 23106, 23299, R23107, R23298 Assemblies |
| 1B | See Front - Build a Part Number SNAPP Fuel Filter Closed Bowl (No Drain) - Available in 23281, R23280 Assemblies |

2

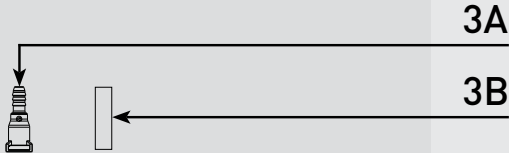


2A

2B

| | | |
|----|-----|--|
| 2A | N/A | SNAPP Bracket - Powder Coated Steel - Included with all 23106 Assemblies |
| 2B | N/A | SNAPP Bracket - Stainless Steel - Included with all 23299 and 23281 Assemblies |

3

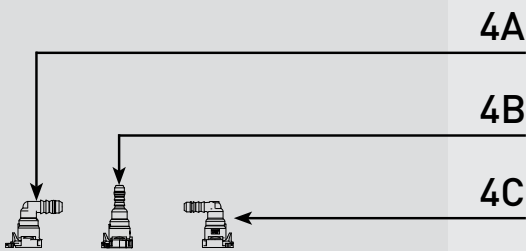


3A

3B

| | | |
|----|-----|--|
| 3A | N/A | 3/8" Quick Connect Straight Fitting - (2) Included with all 23106, 23299, and 23281 Assemblies |
| 3B | N/A | 3/8" Priming Tube - Included with all R23107, R23298, and R23280 Assemblies |

4



4A

4B

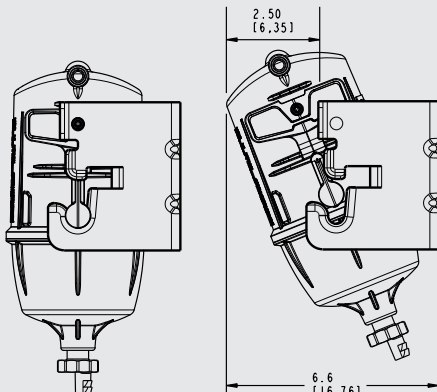
4C

| | | |
|----|---------|---|
| 4A | RK23319 | 3/8" Quick Connect Locking 90° Degree Fitting - 2 Pack |
| 4B | RK23320 | 5/16" Quick Connect Locking Straight Fitting - 2 Pack |
| 4C | RK23321 | 5/16" Quick Connect Locking 90° Degree Fitting - 2 Pack |

Fuel Flow Information:

| ASSEMBLY | With Gasoline | With Diesel |
|-----------|-----------------------------|----------------------------|
| 23106-02 | Max Flow 40 GPH (151.4 LPH) | |
| 23106-10 | Max Flow 34 GPH (128.7 LPH) | |
| 23106-30 | Max Flow 26 GPH (98.4 LPH) | |
| 23299-02 | Max Flow 40 GPH (151.4 LPH) | |
| 23299-10 | Max Flow 34 GPH (128.7 LPH) | |
| 23299-30 | Max Flow 26 GPH (98.4 LPH) | |
| 23281-02 | Max Flow 40 GPH (151.4 LPH) | |
| 23281-10 | Max Flow 34 GPH (128.7 LPH) | |
| 23281-30 | Max Flow 26 GPH (98.4 LPH) | |
| R23107-02 | Max Flow 40 GPH (151.4 LPH) | Max Flow 26 GPH (98.4 LPH) |
| R23107-10 | Max Flow 34 GPH (128.7 LPH) | |
| R23107-30 | Max Flow 26 GPH (98.4 LPH) | |
| R23298-02 | Max Flow 40 GPH (151.4 LPH) | |
| R23298-10 | Max Flow 34 GPH (128.7 LPH) | |
| R23298-30 | Max Flow 26 GPH (98.4 LPH) | |
| R23280-02 | Max Flow 40 GPH (151.4 LPH) | |
| R23280-10 | Max Flow 34 GPH (128.7 LPH) | |
| R23280-30 | Max Flow 26 GPH (98.4 LPH) | |

Service Clearance Required:



Fuel Capabilities:



Marine Applications:

