

P520 and P530 Series

Acrylic Flow Meters



Parker P520 and P530 Series acrylic flowmeters are constructed to the same high quality standards as the entire P series line. They represent a cost effective alternative to glass tube flowmeters in less critical applications. The economical machined cast acrylic block construction is ideal for OEM use and the P530 Series includes an inlet precision metering valve for applications requiring flow control.



Contact Information:

Parker Hannifin Corporation
Porter Instrument Division
245 Township Line Road
Hatfield, PA 19440

phone 215 723 4000
fax 215 723 2199
Industrial@parker.com

www.parker.com

Product Features and Options:

- Brass, PVC or stainless steel process connections.
- Metering tube of machined cast acrylic.
- Max temperature:
130°F (54°C) for liquids,
100°F (38°C) for gases.
- Capacities:
7 GPH to 20 GPM for water,
2.6 SCFH to 60 SCFH for air
- Certified calibrations
conforming to ISA RP 16.6
available.
- Scales can be produced in
any volumetric unit.



ENGINEERING YOUR SUCCESS.

Specifications

Materials

Metering Tube	Machined Cast Acrylic
Internal Components	316L Stainless Steel
Inlet/Outlet Fittings	NPT, Horizontal Control Valve Optional
Fitting Material	Standard PVC (Brass for 2C Block Size) Optional 316L Stainless Steel or Brass
Elastomers	Standard EPR Optional Buna, Viton® and Kalrez®

Viton® and Kalrez® are registered trademarks of DuPont Performance Elastomers L.L.C.

Options

Certified Calibrations	Conform to ISA RP 16.6
Scales	Can be produced in any volumetric unit

Performance

Capacities	Water 7 GPH to 20 GPM Air 2.6 SCFM to 60 SCFM
Scale	50mm, 75 mm, 100mm, 127mm, 250mm Direct reading
Accuracy	50mm ±6% of Full Scale Flow 75 mm ±4% of Full Scale Flow 100mm ±4% of Full Scale Flow 6C-04, 6C-06 ±7% of Full Scale Flow 127mm ±3% of Full Scale Flow 250mm ±2% of Full Scale Flow
Turndown	10:1 to 12.5:1, unless otherwise indicated
Repeatability	50mm 3% 75 mm 2% 100mm 2% 6C-04, 6C-06 4% 127mm 2% 250mm 1/2%
Maximum Temperature	Gases 100°F (38°C) Liquids 130°F (54°C)
Maximum Pressures	Water 125 psig Air 100 psig
Ambient Temperature	33°F to 125°F (1°C to 52°C)

Materials of Construction

Model Number	P520	P520	P530	P530
Block Number	2C	3C, 5C, 6C, 7C	2C	3C, 5C, 6C, 7C
Meter Tube	Cast Acrylic	Cast Acrylic	Cast Acrylic	Cast Acrylic
Fittings	– Brass* 316L SS	PVC* Brass 316L SS	– Brass* 316L SS	PVC* Brass 316L SS
O-Rings	EPR* Buna Viton®	EPR* Buna Viton®	EPR* Buna Viton®	EPR* Buna Viton®
Valve Assembly	Not Available	Not Available	Brass* 316L Stainless Steel	Brass* 316L Stainless Steel

*Standard Construction

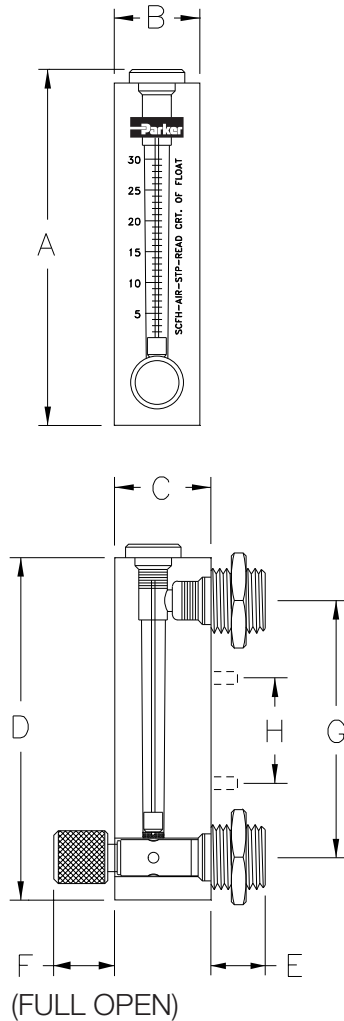
Connections and Mounting Dimensions

Block Number	Connection Size	Centerline H	Thread J	Diameter L
2C	1/4" FNPT	–	–	0.625
3C	1/2" MNPT x 1/4" FNPT	3	.25 – 20	1
5C	1/2" MNPT x 1/4" FNPT	3.937	.25 – 20	1
6C	1" MNPT	4	.25 – 20	1.375
7C	1/2" FNPT	8.75	.375 – 24	1.25

Block 2C is supplied with .875" hex mounting nuts on plumbing connections.

Blocks 3C, 5C, 6C and 7C have mounting studs depicted in dimension "H" and thread "J." (Mounting nuts not supplied.)

Order Numbers, Flow Rates and Dimensions



Order Number	Flow Water	Order Number	Flow Air	Dimensions (Inches)						
				A	B	C	D	E	F	G
Block #2C, 50mm (2") Scale										
–	–	2C-01	2.6 SCFH	4.125	1	1.125	4	.50	1.05	3
–	–	2C-03	5 SCFH	4.125	1	1.125	4	.50	1.05	3
–	–	2C-05	10 SCFH	4.125	1	1.125	4	.50	1.05	3
–	–	2C-07	20 SCFH	4.125	1	1.125	4	.50	1.05	3
2C-02	7 GPH	2C-09	30 SCFH	4.125	1	1.125	4	.50	1.05	3
2C-04	12 GPH	2C-11	60 SCFH	4.125	1	1.125	4	.50	1.05	3
2C-06	22 GPH	2C-13	100 SCFH	4.125	1	1.125	4	.50	1.05	3
2C-08	44 GPH	2C-15	180 SCFH	4.125	1	1.125	4	.50	1.05	3
2C-10	60 GPH	2C-17	4 SCFM	4.125	1	1.125	4	.50	1.05	3
2C-12	75 GPH	–	–	4.125	1	1.125	4	.50	1.05	3
Block #3C, 75mm (3") Scale										
3C-02	1 GPM	3C-01	4 SCFM	6.875	1.20	1.35	6.625	1	1.37	5
3C-04	2 GPM	3C-03	8 SCFM	6.875	1.20	1.35	6.625	1	1.37	5
3C-06	3.5 GPM	3C-05	15 SCFM	6.875	1.20	1.35	6.625	1	1.37	5
3C-08	5 GPM	3C-07	23 SCFM	6.875	1.20	1.35	6.625	1	1.37	5
Block #5C, 127mm (5") Scale										
5C-02	1 GPM	5C-01	4 SCFM	8.45	1.20	1.35	8.25	1	1.25	6.437
5C-04	100 GPH	5C-03	6.8 SCFM	8.45	1.20	1.35	8.25	1	1.37	6.437
5C-06	2 GPM	5C-05	8.2 SCFM	8.45	1.20	1.35	8.25	1	1.37	6.437
5C-08	5 GPM	5C-07	22 SCFM	8.45	1.20	1.35	8.25	1	1.37	6.437
5C-10	10 GPH	5C-11	42 SCFH	8.45	1.20	1.35	8.25	1	1.37	6.437
5C-12	20 GPH	5C-13	100 SCFH	8.45	1.20	1.35	8.25	1	1.37	6.437
5C-14	40 GPH	5C-15	175 SCFH	8.45	1.20	1.35	8.25	1	1.37	6.437
Block #6C, 100mm (4") Scale										
6C-02	10 GPM	6C-01	40 SCFM	9.125	1.78	1.812	8.875	1.25	1.875	6.50
6C-04	15 GPM	6C-03	60 SCFM	9.125	1.78	1.812	8.875	1.25	1.875	6.50
6C-06	20 GPM	–	–	9.125	1.78	1.812	8.875	1.25	1.875	6.50
Block #7C, 250mm (10") Scale										
7C-02	2 GPM	7C-01	8 SCFM	14.50	1.78	1.812	14.25	.75	1.75	12.25
7C-04	3.5 GPM	7C-03	14.4 SCFM	14.50	1.78	1.812	14.25	.75	1.75	12.25
7C-06	5 GPM	7C-05	20 SCFM	14.50	1.78	1.812	14.25	.75	1.75	12.25
7C-08	10 GPM	7C-07	42 SCFM	14.50	1.78	1.812	14.25	.75	1.75	12.25

Ordering Information

Use the following guide to determine the specific product number you require.

The following example describes a P520 flowmeter with brass fittings, EPR O-rings, no valve and a 5" (127mm) scale with 2 GPM water max flow rate.

Example: P5201105C06

Meter Series	Fitting Material	O-Ring Material	Valve Material	Order Number
P520 No Valve P530 With Valve	1 Brass 2 PVC 3 316L Stainless Steel	1 Ethylene Propylene Rubber 2 Buna 3 Viton®	0 Without Valve 1 Brass 2 316L Stainless Steel	5C06 See Order Numbers, Flow Rates and Dimensions Table

Viton® and Kalrez® is a registered trademark of DuPont Performance Elastomers L.L.C.

⚠ WARNING – USER RESPONSIBILITY

FAILURE OR IMPROPER SELECTION OR IMPROPER USE OF THE PRODUCTS DESCRIBED HEREIN OR RELATED ITEMS CAN CAUSE DEATH, PERSONAL INJURY AND PROPERTY DAMAGE.

This document and other information from Parker-Hannifin Corporation, its subsidiaries and authorized distributors provide product or system options for further investigation by users having technical expertise.

The user, through its own analysis and testing, is solely responsible for making the final selection of the system and components and assuring that all performance, endurance, maintenance, safety and warning requirements of the application are met. The user must analyze all aspects of the application, follow applicable industry standards, and follow the information concerning the product in the current product catalog and in any other materials provided from Parker or its subsidiaries or authorized distributors.

To the extent that Parker or its subsidiaries or authorized distributors provide component or system options based upon data or specifications provided by the user, the user is responsible for determining that such data and specifications are suitable and sufficient for all applications and reasonably foreseeable uses of the components or systems.

Offer of Sale

The items described in this document are hereby offered for sale by Parker-Hannifin Corporation, its subsidiaries or its authorized distributors. This offer and its acceptance are governed by the provisions stated in the detailed "Offer of Sale" elsewhere in this document or available at www.parker.com/safety.