



10				1000 PSI COMP. SETTING
20				2000 PSI COMP. SETTING
30				3000 PSI COMP. SETTING
36				3600 PSI COMP. SETTING

DMIT	80	108X6	1	PLUG
2	81	787196	1	VOLUME STOP KIT

21				PUMP DESIGN SERIES
----	--	--	--	--------------------

DMIT				DO NOT PAINT PUMP
P				PAINT PUMP

23	40	788052	1	SERVO PISTON
33	40	787939	1	SERVO PISTON

R	85	787125	1	PORT PLATE - CW
L	85	787126	1	PORT PLATE - CCW

DMIT	95	787139	1	SHAFT SEAL - BUNA
V	95	787140	1	SHAFT SEAL - VITON

P	1	788016	1	SWASHPLATE ASSY
	2	787122	1	SLIPPER PLATE
	3	787978	2	TRUNNION PIN
	4	10X209	6	CAP SCREW
	5	787986	2	TRUNNION COVER
	6	787116	1	SLIPPER RETAINER
	7	789642	1	PISTON/BARREL ASSY KIT
	8	787117	1	BALL SEAT
	9	787118	3	BARREL PIN
	10	789655	1	BARREL ASSEMBLY
	11	788039	1	SWASH SPRING
	12	787769	1	SPRING RETAINER
	13	56X322	1	RETAINING RING
	14	56X337	1	RETAINING RING
V				
	16	787143	1	GASKET-COVER
	19	2030-7	2	O-RING
	20	99X127	2	ROLL PIN
P	21	800511	1	NAMEPLATE
	22	39X10	2	DRIVE SCREW
	23	99X83	2	ROLL PIN
	24	787137	1	BALL BEARING
	25	787138	1	NEEDLE BEARING
	26	787147	1	SERVO POST
	28	788041	2	TRUNNION BUSHING

DMIT	R	58	787367	1	COVER-REAR THRD-ASS'Y
	L	58	787368	1	COVER-REAR THRD-ASS'Y
2	R	58	787369	1	COVER-SIDE FLANGE-ASS'Y
	L	58	787370	1	COVER-SIDE FLANGE-ASS'Y
3	R	58	787371	1	COVER-SIDE THRD-ASS'Y
	L	58	787372	1	COVER-SIDE THRD-ASS'Y
8	R	58	789326	1	COVER-SD FLG METRIC ASSY
9	L	58	789327	1	COVER-SD FLG METRIC ASSY

DMIT	18	787466	1	INLET BUTTON
	62	108X8	1	PLUG
	61	10X294	2	CAP SCREW
	63	10X295	2	CAP SCREW
2 & 3	63	10X295	4	CAP SCREW
	66	2035-7	1	O-RING
	67	787232	1	COVER PLATE
	68	12X221	4	BOLTS
8 & 9	63	10X295	4	CAP SCREW
	66	2035-7	1	O-RING
	67	787232	1	PLUG
	68	212X126	4	BOLTS

DMIT	DMIT	27	788056	1	HOUSING ASSY - INCH
	3	37	108X8	2	PLUG
B	8	27	788539	1	HOUSING - ISD 6149
C	8	37	788516-08	2	PLUG - ISD 6149
D	9	27	788163	1	HOUSING - INCH/METRIC
	9	37	788161	2	PLUG - BSPP
K	8	27	788816	1	HOUSING - METRIC
	8	37	788516-08	2	PLUG - ISD 6149
K	9	27	788164	1	HOUSING - METRIC
	9	37	788161	2	PLUG - BSPP

DMIT	DMIT	50	787359	1	SHAFT-7/8 KEY ASS'Y
	2,3,8,9	50	787360	1	SHAFT-7/8 THRU ASS'Y
B	DMIT	50	787361	1	SHAFT-13T SPLINE ASS'Y
	2,3,8,9	50	787362	1	SHAFT-13T THRU ASS'Y
C	DMIT	50	787363	1	SHAFT-1" KEYED ASS'Y
	2,3,8,9	50	787364	1	SHAFT-1" THRU ASS'Y
D	DMIT	50	787365	1	SHAFT-15T SPLINE ASS'Y
	2,3,8,9	50	787366	1	SHAFT-15T THRU ASS'Y
K	8,9	50	788912	1	SHAFT - METRIC 25MM

DMIT	55	22X19	1	KEY
C	55	22X19	1	KEY
K	55	788166	1	METRIC KEY

DMIT	84	787010	1	STANDARD COMP. ASSY
M	86	787028	1	REMOTE COMP. ASSY (INT)
ME	87	787029	1	REMOTE COMP. ASSY (EXT)
A	88	787027	1	LOAD SENSE COMP. ASSY
H	86	787028	1	REMOTE COMP. ASSY (INT)
	89	788055	1	HORSEPOWER ASSEMBLY
C	88	787027	1	LOAD SENSE COMP. ASSY
	89	788055	1	HORSEPOWER ASSEMBLY
VD	86	USE OPTION 'DMIT'	1	STANDARD COMP. ASSY
VM	86	USE OPTION 'M'	1	REMOTE COMP V-PAK
VA	86	USE OPTION 'A'	1	LOAD SENSE COMP V-PAK
VH	86	USE OPTION 'M'	1	REMOTE COMP V-PAK
	89	788055	1	HORSEPOWER ASSEMBLY
VC	88	USE OPTION 'A'	1	LOAD SENSE COMP V-PAK
	89	788055	1	HORSEPOWER ASSEMBLY

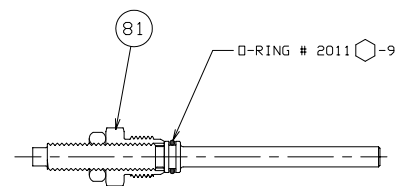
DMIT	70			
A1	71	787233	1	"AA" PILOT, 1/2 KEYED
A2	72	787234	1	"A" PILOT, 3/4 KEYED
A4	74	787236	1	"A" PILOT, 9T SPLINE
A5	75	787392	1	"A" PILOT, 11T SPLINE
B1	76	787237	1	"B" PILOT, 7/8 KEYED
B2	77	787238	1	"B" PILOT, 1" KEYED
B3	78	787239	1	"B" PILOT, 13T SPLINE
B4	79	787240	1	"B" PILOT, 15T SPLINE
A4	-	788208	1	METRIC - 'A' 9T
A5	-	788209	1	METRIC - 'A' 11T
B3	-	788210	1	METRIC - 'B' 13T
B4	-	788211	1	METRIC - 'B' 15T

M	8	82	788517	1	ISD 6149 FITTING
A					
H	9	82	788157	1	BSPP FITTING
C					

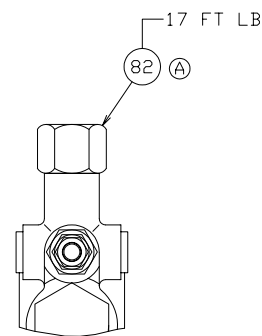
NOTES:

- FOR PROPER OPERATION OF HORSEPOWER CONTROL (OPTION "H"), THE PUMP MUST BE BUILT WITH A REMOTE COMPENSATOR ASSEMBLY 787028.
- FOR PROPER OPERATION OF HORSEPOWER AND LOAD SENSE CONTROL (OPTION "C"), THE PUMP MUST BE BUILT WITH LOAD SENSE COMPENSATOR ASSEMBLY 787027.
- O-RING COMPOUND DESIGNATION: \square (DMIT) FOR NITRILE ∇ FOR VITON.
- SEAL KIT P/N SKPVP23/33 \square (** DESIGN SERIES) SEALS
- ROTATING REPAIR KIT RRPVP23/33 \square (** DESIGN SERIES) R L
- HOUSINGS FOR "8" AND "9" OPTIONS ARE NOT ASSEMBLIES.

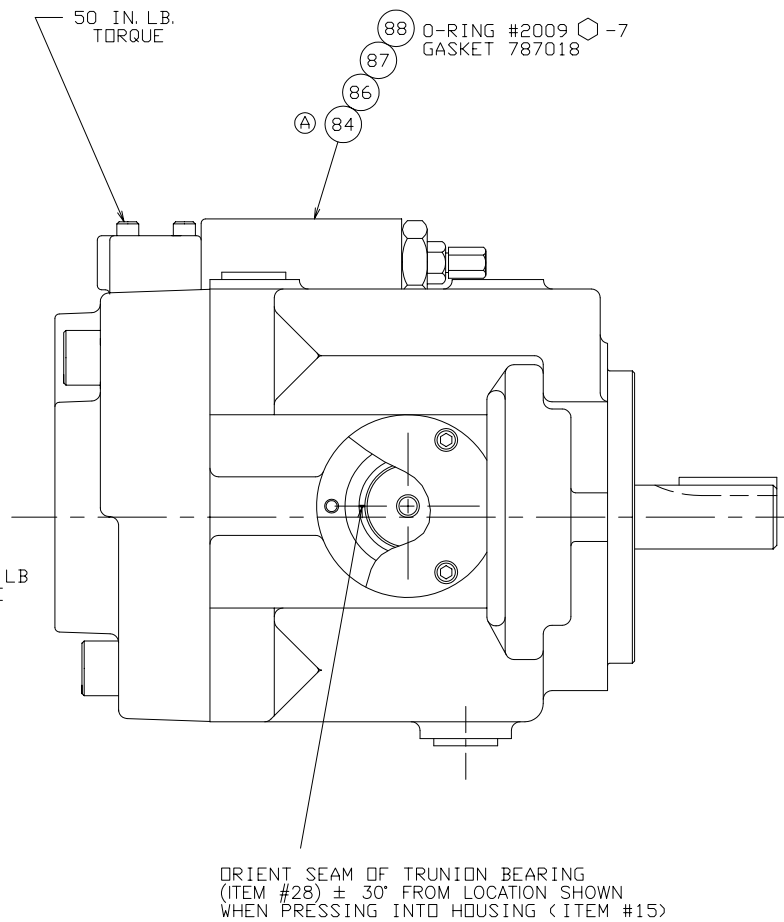
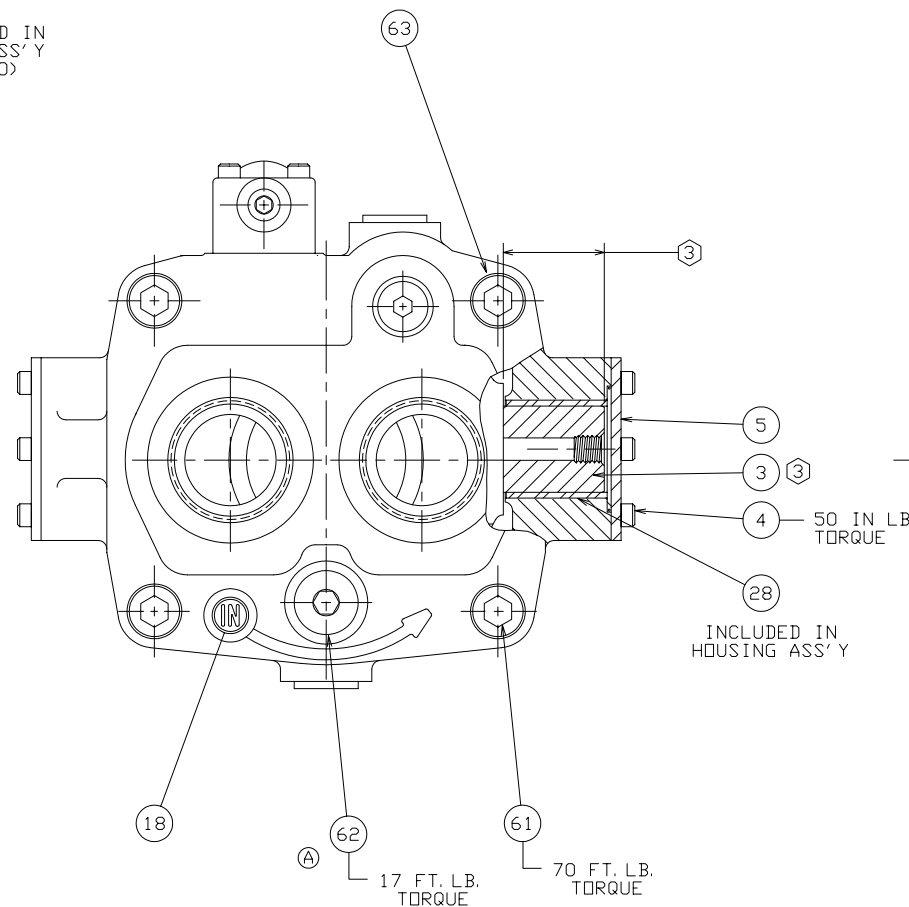
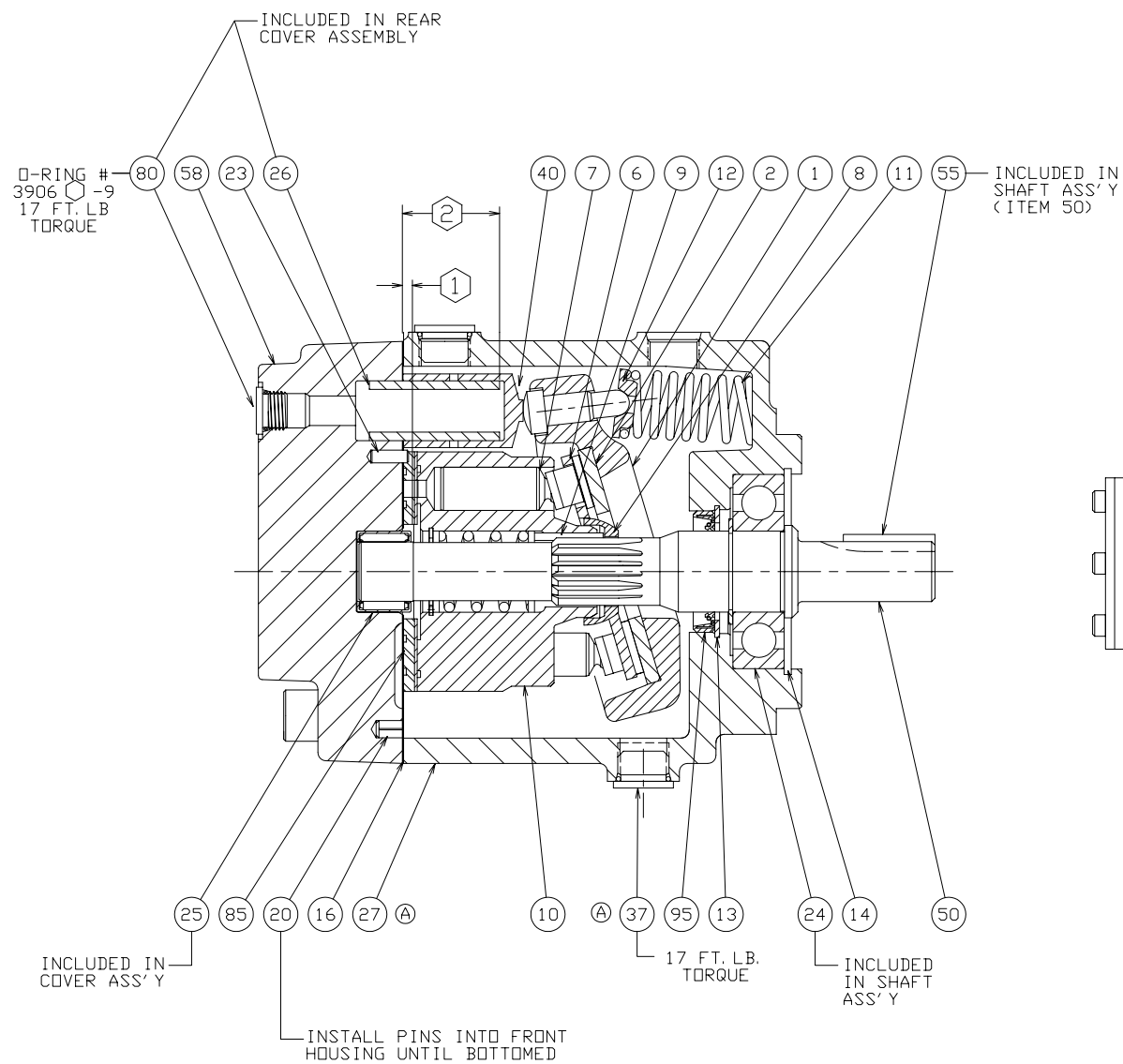
A	134439	SEE ECN	JAH	4/22/05
-	133965	RELEASE TO SS	EDB	8/6/03
REV	ECR NO	REVISION	CHG BY	DATE
DRAWN BY: E. D. BERRY	DATE: 8/6/03	HYDRAULIC PUMP/MOTOR DIV		
APP'D BY:	DATE:	Parker		
SCALE:		TITLE: SERVICE PARTS DRAWING PVP23/33 DESIGN 21		
HEAT TREAT:	SUPERSEDES:	PART MUST CONFORM TO ENGR. STP'S. ESM 1000		
		ANSI STD. Y14.5-1994 APPLIES EXCEPT		
		WHEN NO MODIFIER IS SPECIFIED.		
		TOLERANCE: UNLESS OTHERWISE SPECIFIED:		
		1 PLACE (.00) ± .060		
		2 PLACE (.00) ± .030		
		3 PLACE (.000) ± .010		
FINISH:	MATERIAL:	ANGLES ± 2°		
		SHEET 1 OF 6		
		DRAWING NO:	REV:	STATUS:
		789657	A	SS



ADJUSTABLE MAX. VOLUME STOP
VOLUME STOP OPTION "2"



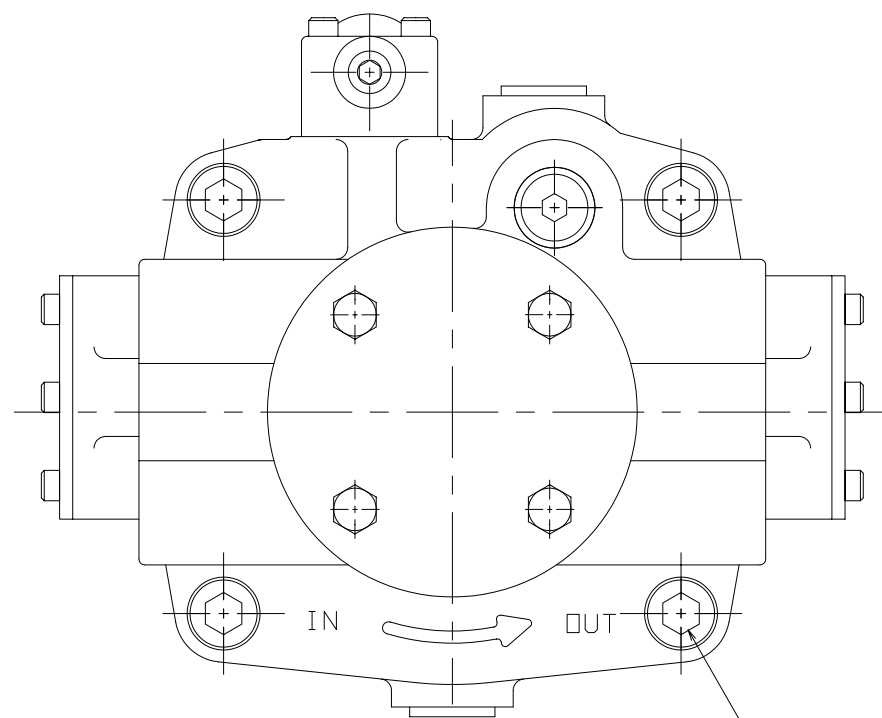
ADAPTOR FITTING
USE WITH "8" OR "9" PORT OPTION
& REMOTE STYLE COMPENSATOR.



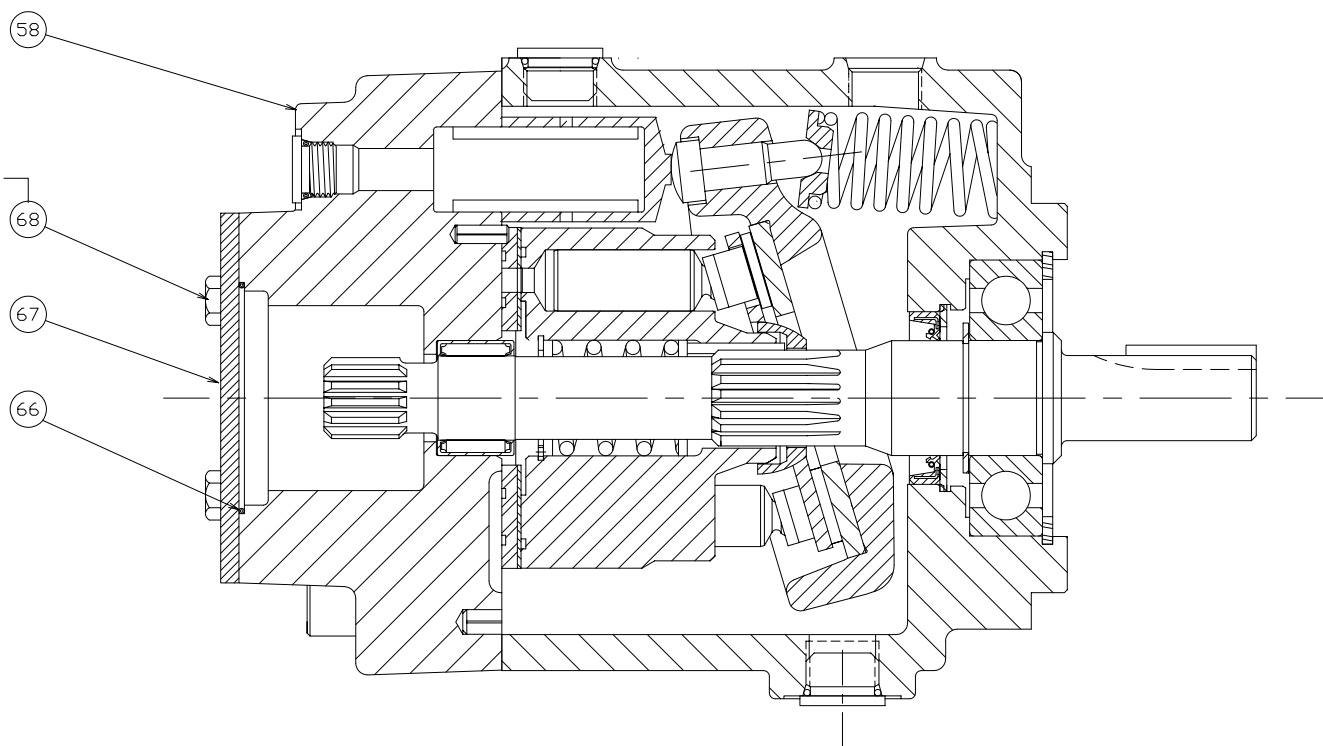
NOTES:

- ① INSTALLED HEIGHT OF ITEM 26 (NEEDLE BEARING) INTO ITEM 58 (REAR COVER) TO BE .125 / .150.
- ② INSTALLED HEIGHT OF ITEM 21 (SERVO POST) INTO ITEM 58 (REAR COVER) TO BE 1.465 / 1.470
- ③ ITEM 3 TO BE PRESSED IN UNTIL SHOULDER BOTTOMS ON SWASHPLATE.
- 4. PUMP SHOWN IS A RIGHTHAND (CW) ROTATION PUMP. FOR A LEFTHAND (CCW) ROTATION PUMP THE INLET BUTTON (ITEM 18) WILL BE ON THE OPPOSITE SIDE AND THE CAST ROTATION ARROW WILL BE INDICATING DIRECTION.

REV	ECR NO	REVISION	CHG BY	DATE
-	-	SEE SHEET 1	-	-
DRAWN BY: E. D. BERRY		DATE: 8/6/03	FLUIDPOWER PUMP DIVISION	
APP'D BY:		DATE:	Parker	
SCALE: -				
TITLE: SERVICE PARTS DRAWING PVP23/33 - DESIGN 21				
HEAT TREAT:		SUPERSEDES:		PART MUST CONFORM TO ENGR. STD'S: ESM 1000 ANST STD. Y14.5-1994 APPLIES EXCEPT WHC APPLIES TO POSITIONAL TOLERANCES WHEN NO MODIFIER IS SPECIFIED.
FINISH:		SUPERSEDED BY:		ALL DIMENSIONS ARE IN INCHES. TOLERANCE IN DECIMAL DIMENSIONS IS AS FOLLOWS, UNLESS OTHERWISE SPECIFIED:
		MATERIAL:		1 PLACE (.00) ± .060 2 PLACE (.00) ± .030 3 PLACE (.000) ± .010
SHEET 2 OF 6		DRAWING NO: 789657		REV. STATUS A SS



10 FT. LB
TORQUE

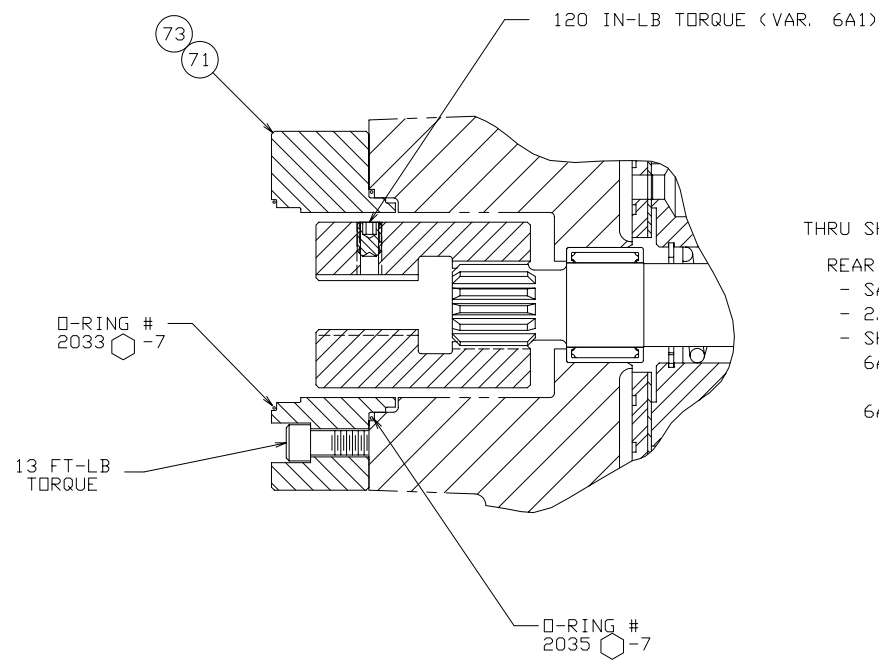


63
70 FT. LB.
TORQUE

NOTES:

1. PUMP SHOWN IS A RIGHTHAND (CW) ROTATION PUMP. FOR A LEFTHAND (CCW) ROTATION PUMP THE INLET AND OUTLET PORTS WILL BE REVERSED AND CAST ROTATION ARROW WILL BE REVERSED.

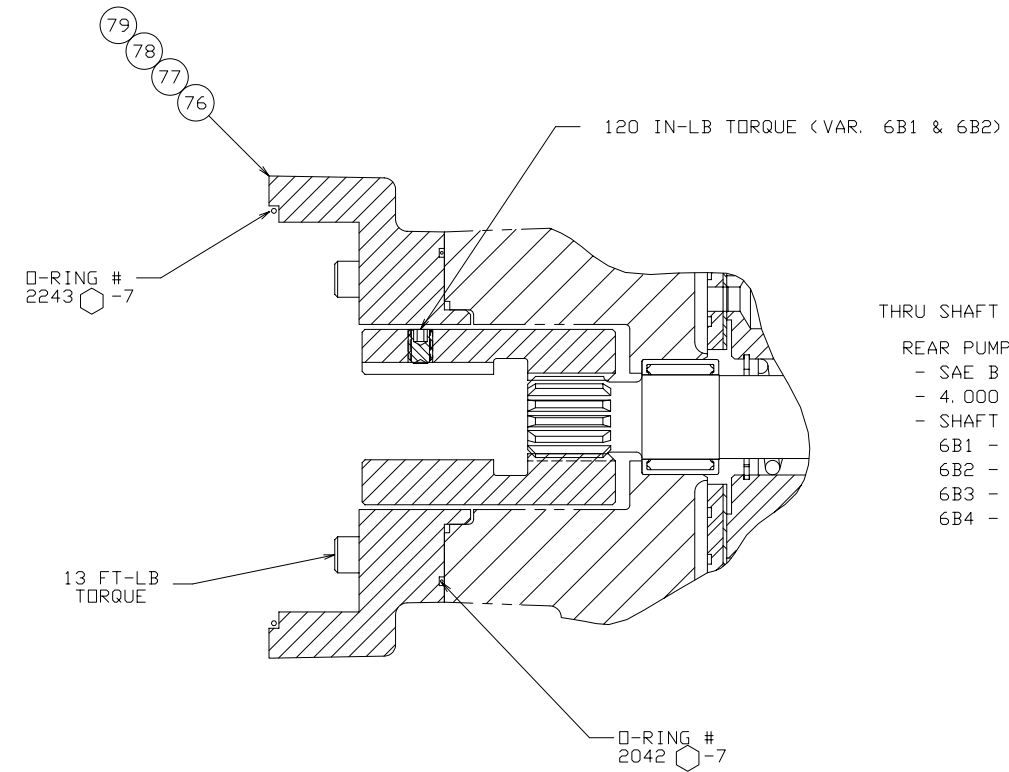
REV		ECR NO	SEE SHEET 1		CHG BY	DATE
DRAWN BY: E. D. BERRY		DATE: 8/7/03	REVISION			
APP'D BY:		DATE:	Parker		FLUIDPOWER PUMP DIVISION	
SCALE: -						
HEAT TREAT: -		SUPERSEDES: -		PART MUST CONFORM TO ENGR. STD'S: ESM 1000 ANSI STD. Y14.5-1994 APPLIES EXCEPT WHC APPLIES TO POSITIONAL TOLERANCES WHEN NO MODIFIER IS SPECIFIED.		
FINISH: -		SUPERSEDED BY: -		ALL DIMENSIONS ARE IN INCHES. TOLERANCE ON DECIMAL DIMENSIONS IS AS FOLLOWS, UNLESS OTHERWISE SPECIFIED:		
		MATERIAL: -		1 PLACE (.01) ± .060 2 PLACE (.00) ± .030 3 PLACE (.000) ± .010		
				ANGLES ± 2°		
TITLE: SERVICE PARTS DRAWING PVP23/33 - DESIGN 21		DRAWING NO. 789657		REV. A	STATUS SS	
SHEET 3 OF 6						



THRU SHAFT VARIATIONS "6A1" & "6A3"

REAR PUMP CONFIGURATION:

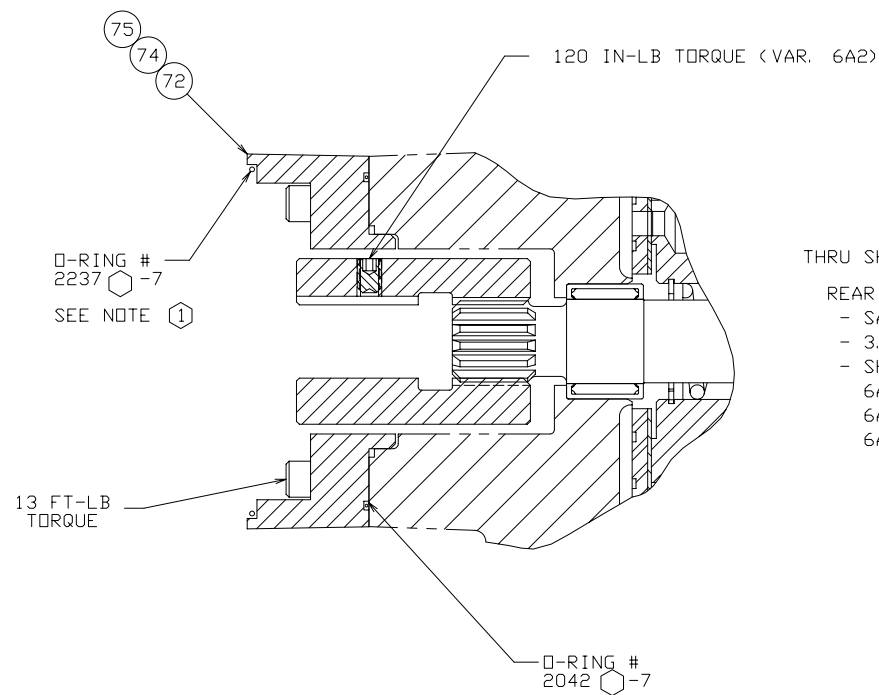
- SAE AA 2 BOLT
- 2.000 PILOT DIAMETER
- SHAFT SIZES:
- 6A1 - ϕ .500 X .125 KEY - KIT # 787233
- 6A3 - 9 TOOTH 20/40 PITCH SPLINE - KIT # 787235



THRU SHAFT VARIATIONS "6B1", "6B2", "6B3", & "6B4"

REAR PUMP CONFIGURATION:

- SAE B 2 BOLT
- 4.000 PILOT DIAMETER
- SHAFT SIZES:
- 6B1 - ϕ .875 X .250 KEY - KIT # 787237
- 6B2 - ϕ 1.000 X .250 KEY - KIT # 787238
- 6B3 - 13 TOOTH 16/32 PITCH SPLINE - KIT # 787239
- 6B4 - 15 TOOTH 16/32 PITCH SPLINE - KIT # 787240



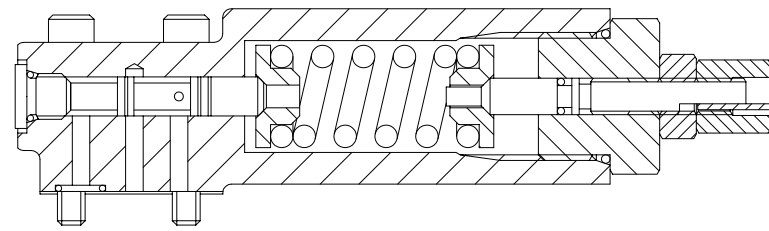
THRU SHAFT VARIATIONS "6A2", "6A4", & "6A5"

REAR PUMP CONFIGURATION:

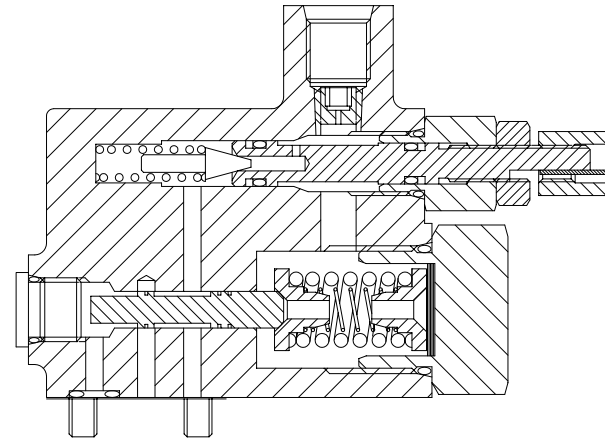
- SAE A 2 BOLT
- 3.250 PILOT DIAMETER
- SHAFT SIZES:
- 6A2 - ϕ .750 X .188 KEY - KIT # 787234
- 6A4 - 9 TOOTH 16/32 PITCH SPLINE - KIT # 787236
- 6A5 - 11 TOOTH 16/32 PITCH SPLINE - KIT # 787392

1 SOME ADAPTERS INCORPORATE A GASKET RATHER THAN AN O-RING FOR SEALING OF THE BACK PUMP.

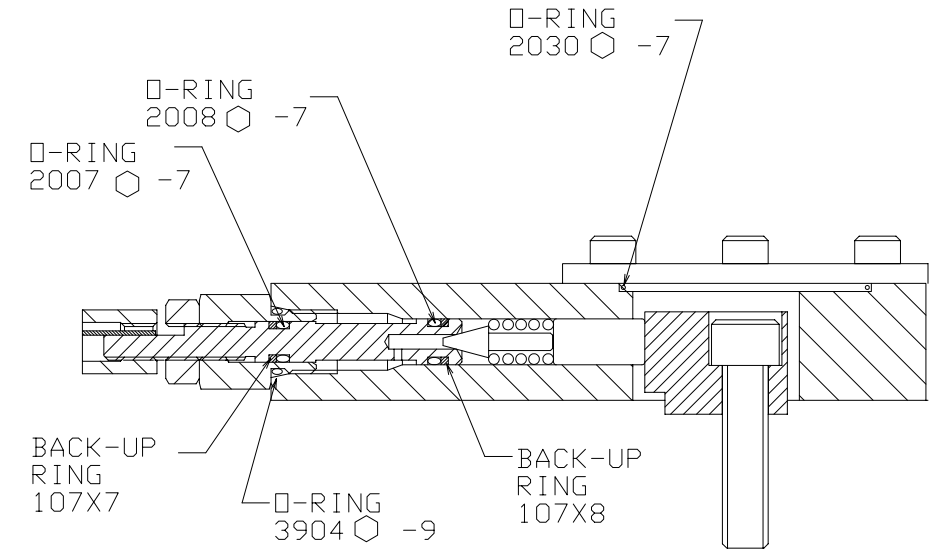
-	-	SEE SHEET 1	-	-
REV	ECR NO	REVISION	CHG BY	DATE
DRAWN BY: E. D. BERRY	DATE: 8/7/003	FLUIDPOWER PUMP DIVISION		
APP'D BY:	DATE:			
SCALE:	-			
TITLE: SERVICE PARTS DRAWING PVP23/33 - DESIGN 21				
SHEET 4 OF 6		DRAWING NO: 789657	REV. A	STATUS SS



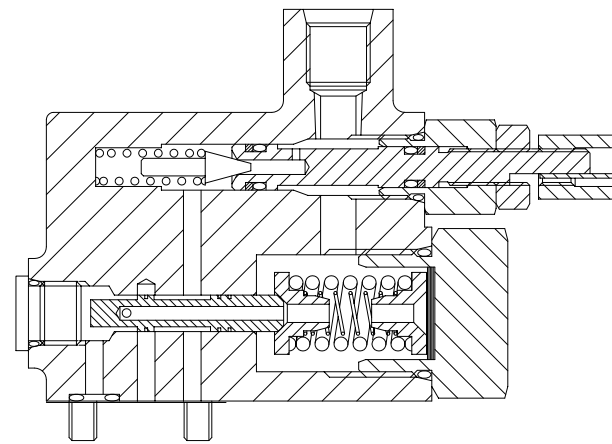
CONTROL OPTION "OMIT"
ITEM # 85



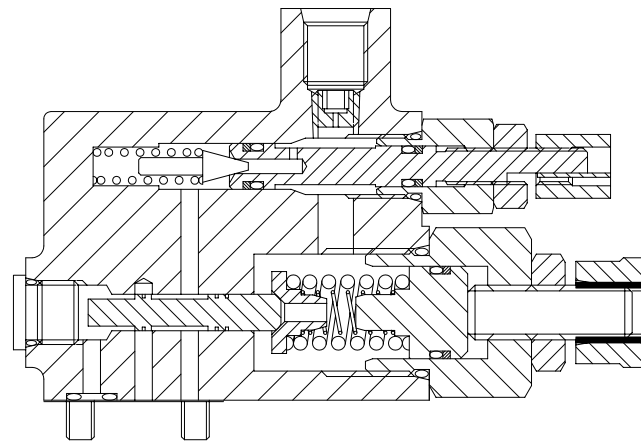
CONTROL OPTION "ME"
ITEM # 87




HORSEPOWER CONTROL OPTION "H"
& "C" - ITEM # 89

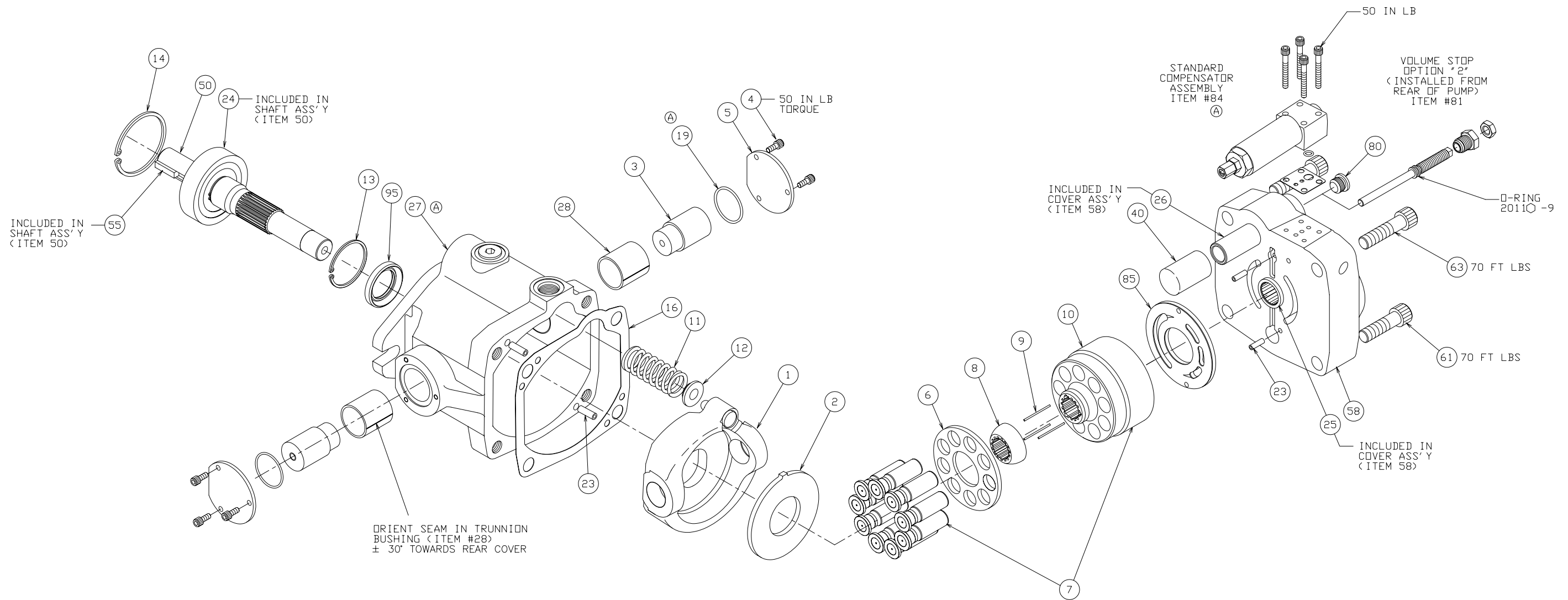


CONTROL OPTION "M" & "H"
ITEM # 86



CONTROL OPTIONS "A" & "C"
ITEM # 88

-	-	SEE SHEET 1	-	-
REV	ECR NO	REVISION	CHG BY	DATE
DRAWN BY: E. D. BERRY	DATE: 8/7/03	 FLUIDPOWER PUMP DIVISION		
APP'D BY:	DATE:			
SCALE:	-			
TITLE: SERVICE PARTS DRAWING - PVP23/33 (DES 21)				
DRAWING NO: 789657		REV: A	STATUS SS	
SHEET 5 OF 6				



REV	ECR NO	REVISION	CHG BY	DATE
-	-	SEE SHEET 1	-	-
DRAWN BY: E. D. BERRY		DATE: 8/7/03		
APP'D BY:		DATE:		
SCALE: -				
HYDRAULIC PUMP/MOTOR DIV				
TITLE: SERVICE PARTS DRAWING PVP23/33 - DESIGN 21				
DRAWING NO: 789657		REV. STATUS: A SS		
SHEET 6 OF 6				

HEAT TREAT:	SUPERSEDES:	PART MUST CONFORM TO ENGR. STD'S: ESM 1000
-	-	ANST. STD. Y14.5-1994 APPLIES EXCEPT MMC APPLIES TO POSITIONAL TOLERANCES WHEN NO MODIFIER IS SPECIFIED.
FINISH:	MATERIAL:	ALL DIMENSIONS ARE IN INCHES. TOLERANCE IN DECIMAL DIMENSIONS IS AS FOLLOWS, UNLESS OTHERWISE SPECIFIED:
-	-	1 PLACE (.01) ± .010
		2 PLACE (.00) ± .030
		3 PLACE (.000) ± .010
		ANGLES ± 2°