

HCS Brief

Hydraulic Cartridge Systems

Tech Brief

TB-0004

Parker DIN Connectors

Parker Hydraulic Cartridge Systems Division offers a wide variety of coil terminations for use with our solenoid cartridge valves. Of the different styles available, one of the main termination types is the DIN 43650. Parker HCS does offer the female connector (also known as a Hirschmann connector) for the DIN 43650 (ISO 4400 square connector) termination type coil. This is offered in rectified, non-rectified, PG9, PG11, and Conduit.

To help assist with determining which connector you require, the following definitions/information is provided to help with your decision:

PG9 – Cable gland size. This allows for a cable with an outside diameter of .236” - .315”

PG11 – Cable gland size. This allows for a cable with an outside diameter of .315” - .394”

Conduit – Allows for conduit connection to the DIN coil.

Rectified – Connector has a rectifier in place to convert supplied AC voltage to DC voltage.

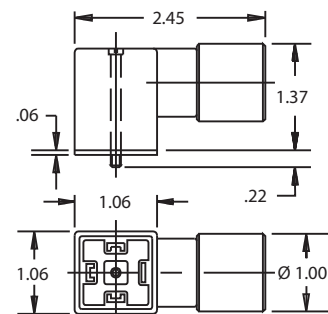
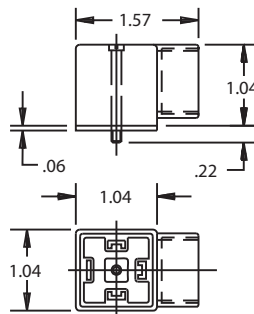
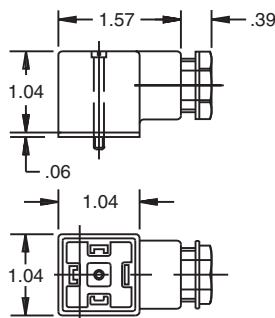
Non-rectified – Connector does not have a rectifier to convert supplied AC voltage to DC voltage.*

* Standard catalog coils do not need a rectified connector.

Type	Non-Rectified	Rectified
PG9	710549-00	712126-01
PG11	710549-01	712126-00

Type	Non-Rectified
Conduit	710549-02

Type	Rectified
Conduit	712704-00



More Information

Parker Solenoid Valves are available from the Hydraulic Cartridge Systems Division. Consult your HCS catalog or www.parker.com/hcs for more information. You can also contact a Product Manager or Technical Support Specialist for help at 847-955-5000 or HCSTechnical@parker.com.