

Marine Gasoline - 025-RAC Series

FUEL

Specifications:

Height: 4.31" (10.94 cm)
Width: 2.25" (5.71 cm)
Depth: 2.10" (5.33 cm)
Weight (Dry): 0.36 lbs (0.16 kg)
Ports: 1/4" NPTF
Fuel Flow Rate: Gasoline - 25 gph (94 lph)
Service Clearance: 6.5" (16.51 cm) Below

Create a Part Number

Mounting Head

2 Fuel Ports
Marine Gasoline
25 gph (94 lph)

025-RAC

Filtration Type

250 micron
Cleanable Screen

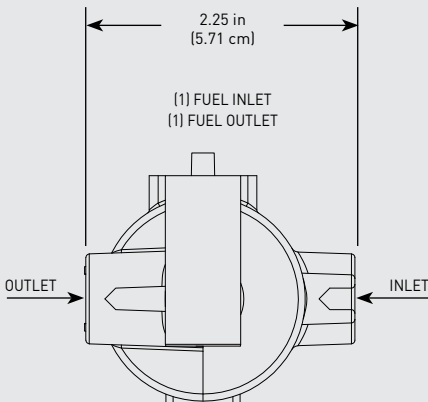
10 micron
Filter Element

-01

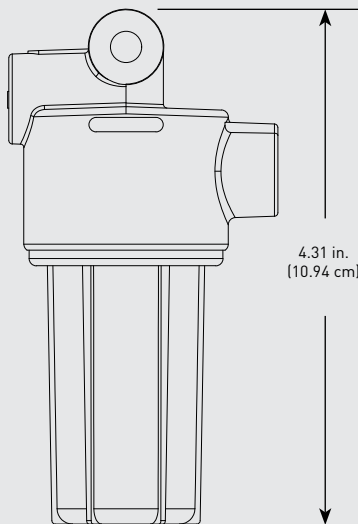
-02

RACOR®

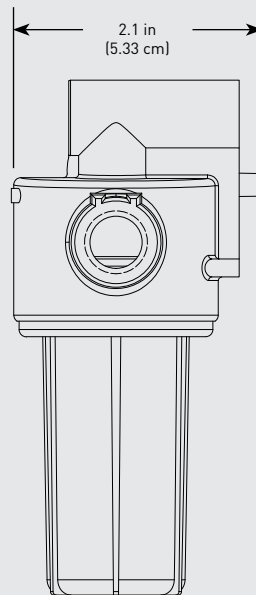
Dimensions:



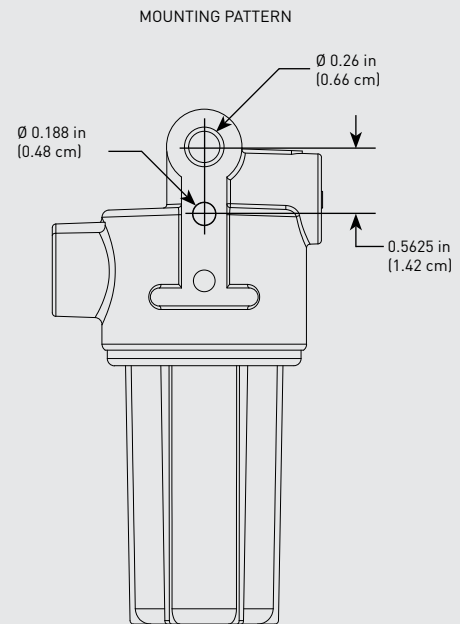
Top



Front



Profile



Back

ASSEMBLIES DESCRIPTION

ASSEMBLIES	DESCRIPTION
025-RAC-01	Marine Fuel, FF, 25 gph (Gasoline) Flow Rate, 250 Micron Filtration
025-RAC-02	Marine Fuel, FF/WS, 25 gph (Gasoline) Flow Rate, 10 Micron Filtration

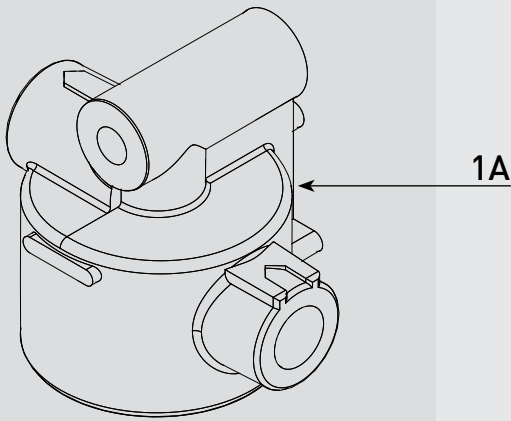


⚠ WARNING: The products described in this literature can expose you to chemicals including Diisononyl phthalate, Carbon black extract, which are known to the State of California to cause cancer. For more information go to www.P65Warnings.ca.gov.

PARTS

Marine Gasoline - 025-RAC Series

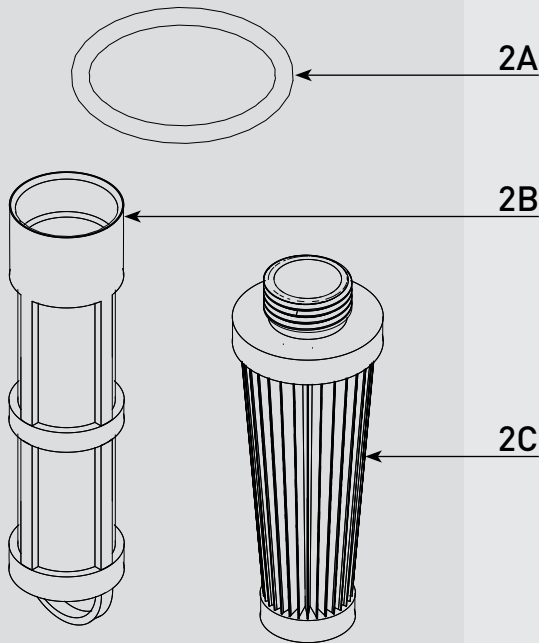
1



1A

Part #	Description
1A	025-RAC Head Assembly
2A	Bowl O-ring - <i>Included in 2B & 2C</i>
2B S2501	025-RAC-01 Replacement Filter - 250 micron - <i>Includes 2A</i>
2C S2502	025-RAC-02 Replacement Filter - 10 micron - <i>Includes 2A</i>
3A RK 31391	025-RAC Replacement Bowl Assembly - <i>Includes 2A</i>

2

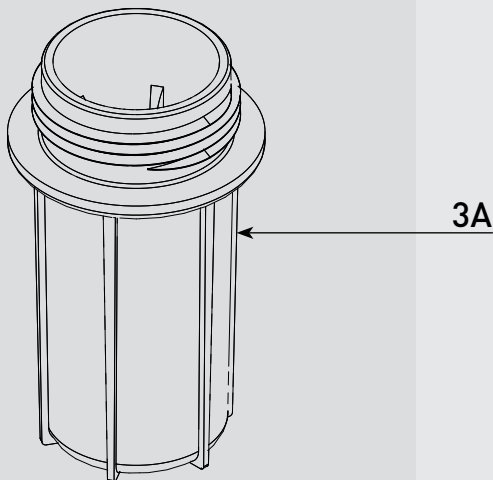


2A

2B

2C

3



3A

Online Link
Fuel Prefilters and Strainers Product Selector

