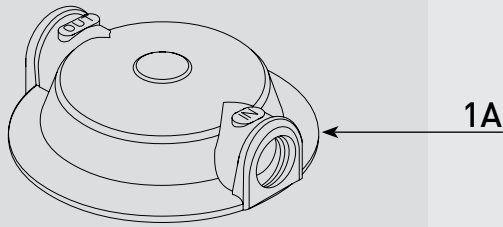




# PARTS

## Diesel Spin-On - 140 Series

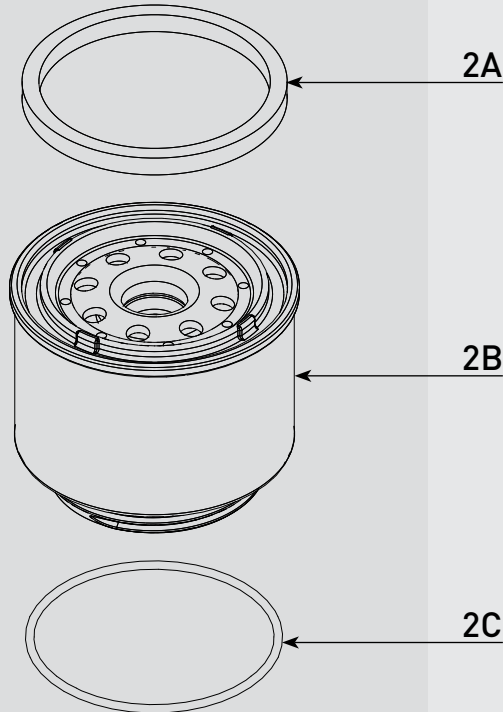
1



1A

Part #	Description
1A	140 Series Head Assembly
2A	Square Cut Gasket - <i>Included in 2B</i>
2B	R12S 140 Replacement Filter - 2 micron - <i>Includes 2A, 2C</i> R12T 140 Replacement Filter - 10 micron - <i>Includes 2A, 2C</i> R12P 140 Replacement Filter - 30 micron - <i>Includes 2A, 2C</i>
2C	Bowl O-ring - <i>Included in 2B &amp; 3A</i>
3A	RK 10222 Replacement Clear Bowl Kit (W/O Probe Port) - <i>Includes 2C and 4A</i>

2



2A

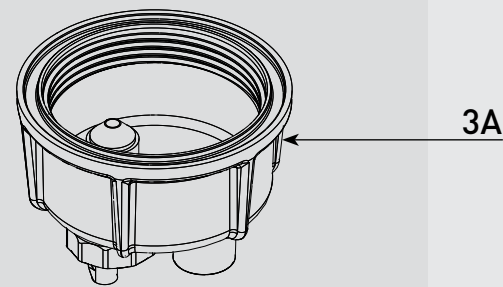
2B

2C

### Additional Parts (not shown)

4A		Self-Venting Drain
4B	RK 10215	Replacement Clear Bowl Kit (Probe Port) - <i>Includes 2C, 4A, and 4C</i>
4C	RK 20126	Bowl WIF Port Plug Kit
4D	RK30880E	WIF Sensor/Detection Kit - 1/2" -20 UNF
	RK33802	Replacement WIF Probe (1/2" -20 SAE) - No Internal Resistor, 12/24V - <i>Requires Water Detection Amplifier</i> <i>See RSL7529 for available Probes, Sensors, and Amplifiers</i>
4E	RK 20726	Water Detection Module Kit - 12 or 24 vdc - <b><i>Includes Amplifier (Light and Buzzer) &amp; RK 21069 (WIF Probe)</i></b> <i>See RSL7529 for available Probes, Sensors, and Amplifiers</i>
4F	RK 10226	Replacement Metal Bowl Kit - Includes 2C, Metal WIF Port Plug and Metal Drain Plug

3



3A

Online Link  
Diesel Spin-On Product Selector



RSL0375\_CUT\_SpinOn\_140-Series (04/18 Rev -)

Questions? Email: [racortech@parker.com](mailto:racortech@parker.com) Phone: 800-344-3286 News: [www.racornews.com](http://www.racornews.com)