

Specifications:

- Steel body
- Inlet/Outlet Ports: 6.0" and 7.0" Diameter
- Flow rates: 810-1750 cfm
- Assembly Lengths: 14.2" - 24.0"
- Assembly Diameters: 6.8" - 11.0"
- Truck cab applications
- Includes Bleed Valve

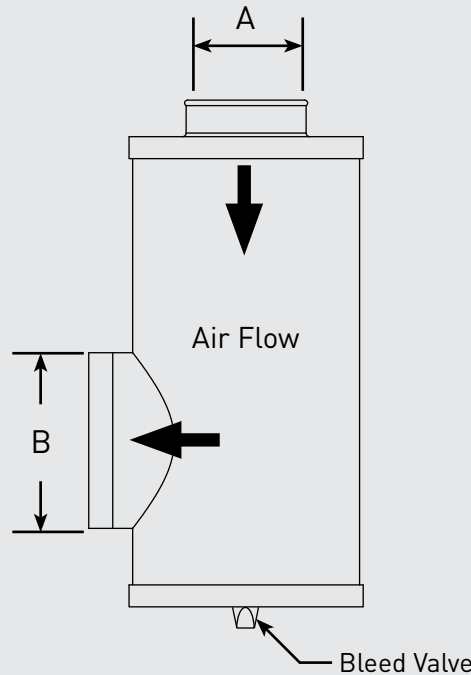
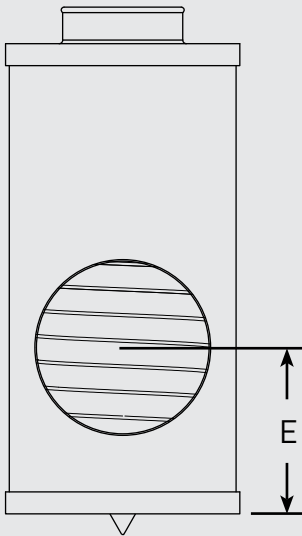
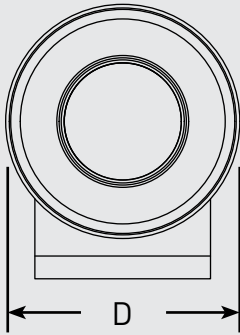
Engine Displacement Formula:

$$CFM = HP \times SA$$

SA = Specific Airflow rating

- 4-Stroke naturally aspirated diesel engine: **SA = 2.0**
- 4-Stroke turbo charged diesel engine: **SA = 2.3**
- 4-Stroke turbo charged after cooled diesel engine: **SA = 2.3**
- 2-Stroke naturally aspirated diesel engine: **SA = 2.0**
- 2-Stroke scavenge blower diesel engine: **SA = 3.3**
- 2-Stroke turbo charged diesel engine: **SA = 3.6**

Dimensions:



SIDE INLET ASSEMBLY	(A) INLET OD IN (CM)	(B) OUTLET ID IN (CM)	(C) LENGTH IN (CM)	(D) DIAMETER IN (CM)	(E) DISTANCE IN (CM)	FLOW RATE CFM	WEIGHT LBS (KG)
094973001	7.0 (17.8)	7.0 (17.8)	24.0 (61.0)	11.0 (27.9)	5.5 (14.0)	1120-1600	19.0 (8.6)
094973002	7.0 (17.8)	7.0 (17.8)	24.0 (61.0)	13.5 (34.3)	5.5 (14.0)	1450-1750	27.0 (12.2)
094973003	6.0 (15.2)	6.0 (15.2)	24.0 (61.0)	9.8 (24.9)	5.5 (14.0)	875-1250	16.0 (7.3)
094973004	6.0 (15.2)	6.0 (15.2)	18.0 (45.7)	9.8 (24.9)	9.0 (22.9)	720-1060	10.4 (4.7)
094973005	7.0 (17.8)	7.0 (17.8)	15.0 (38.1)	13.5 (34.3)	9.5 (24.1)	980-1470	15.3 (6.9)
094973006	6.0 (15.2)	7.0 (17.8)	18.0 (45.7)	11.0 (27.9)	5.5 (14.0)	810-1200	12.6 (5.7)
094973007	7.0 (17.8)	7.0 (17.8)	18.0 (45.7)	11.0 (27.9)	5.5 (14.0)	1010-1490	12.5 (5.7)



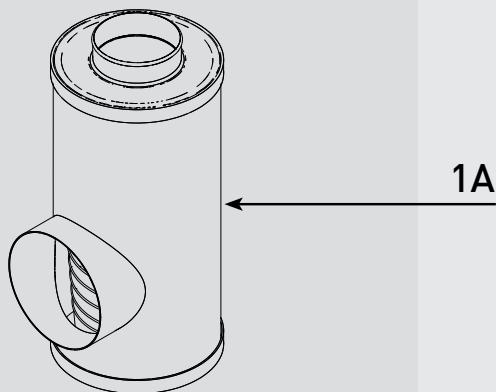
WARNING: The products described in this literature can expose you to chemicals including Diisononyl phthalate, Carbon black extract, which are known to the State of California to cause cancer. For more information go to www.P65Warnings.ca.gov.



PARTS

ECO-BC Series

1

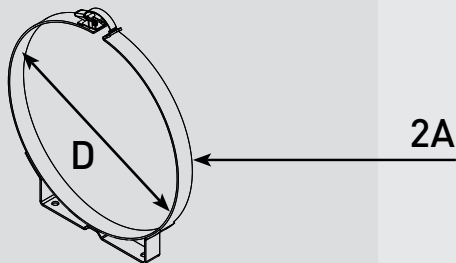


1A

Part #	Description
1A 094973001	Top Inlet - (D) 11.0 in., (L) 24.0 in., (OD) 7.0 in., (ID) 7.0 in., (Inlet Port Location from Base) 5.5 in.
094973002	Top Inlet - (D) 13.5 in., (L) 24.0 in., (OD) 7.0 in., (ID) 7.0 in., (Inlet Port Location from Base) 5.5 in.
094973003	Top Inlet - (D) 9.8 in., (L) 24.0 in., (OD) 6.0 in., (ID) 6.0 in., (Inlet Port Location from Base) 5.5 in.
094973004	Top Inlet - (D) 9.8 in., (L) 18.0 in., (OD) 6.0 in., (ID) 6.0 in., (Inlet Port Location from Base) 9.0 in.
094973005	Top Inlet - (D) 13.5 in., (L) 15.0 in., (OD) 7.0 in., (ID) 7.0 in., (Inlet Port Location from Base) 9.5 in.
094973006	Top Inlet - (D) 11.0 in., (L) 18.0 in., (OD) 7.0 in., (ID) 6.0 in., (Inlet Port Location from Base) 5.5 in.
094973007	Top Inlet - (D) 11.0 in., (L) 18.0 in., (OD) 7.0 in., (ID) 7.0 in., (Inlet Port Location from Base) 5.5 in.

2A 071921001	Mounting Clamp - (D) 9.8 in.
071921002	Mounting Clamp - (D) 11.0 in.
071921003	Mounting Clamp - (D) 13.5 in.

2



2A

Online Link
Disposasable Engine Air Filters Product Selector



RSL0388_CUT_ECO-BC (07/18 Rev -)

Questions? Email: racortech@parker.com Phone: 800-344-3286 News: www.racornews.com