

Chelsea® 870-XL/877-XL Series

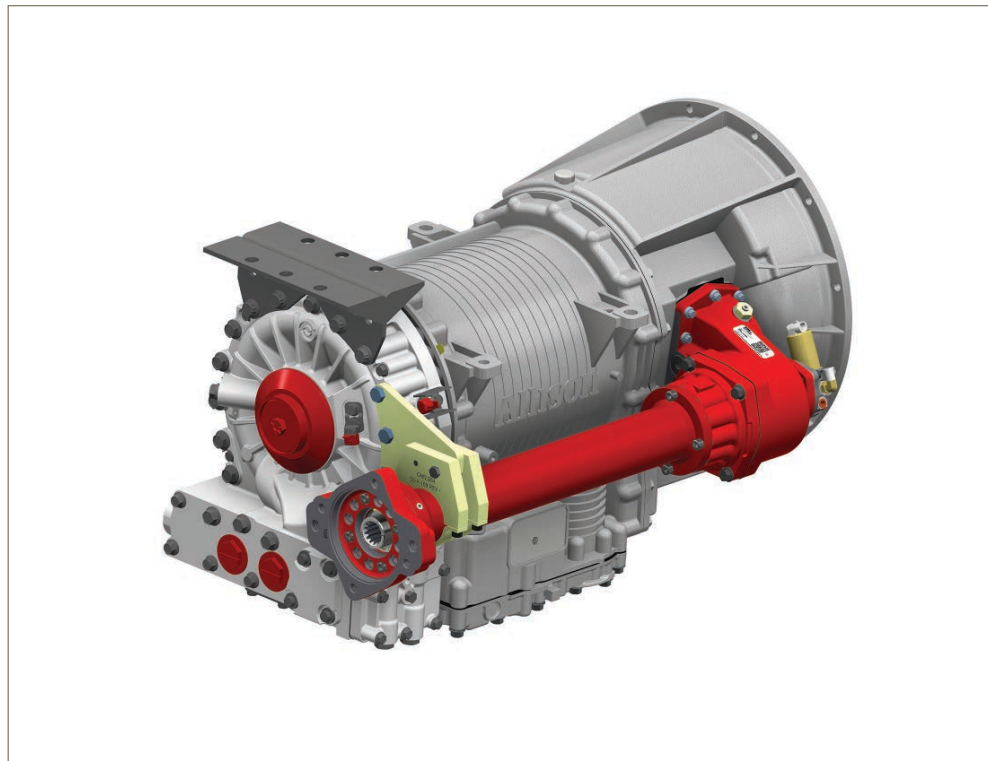
PowerShift PTO for Allison
3000/4000 Transmissions



Overview:

Designed for Allison transmissions with cooler or retarder options, the 870-XL Series of PTOs allows direct mounted pumps to be moved further rearward in the truck chassis. The 870-XL increases the distance between PTO aperture and pump flange by approximately 7 inches than our 890 Series PTO. High capacity bearings and superior gear designs provide you with torque ratings up to 670 lbs-ft for ultimate performance. There is no need to de-rate the PTO for continuous duty applications. An optimized bracket system available from Chelsea, allows for the installation of pumps up to 120 lbs. Our popular Electronic Overspeed Control (EOC) is also available to protect your driven equipment. Multiple gear ratios provide a wide variety of speeds to meet a variety of application requirements. Wet Spline is standard with all 5 outputs, increasing PTO and pump shaft life.

- Fire & Rescue
- Refuse
- Pumper Cleaner
- Oil & Gas



Contact Information:

Parker Hannifin Corporation
Chelsea Products Division
8225 Hacks Cross Road
Olive Branch, MS 38654 USA

Phone: 1-888-PH4-TRUK
(1-888-744-8785)

Fax: 1-662-895-1069
chelseacustserv@parker.com

www.parker.com/chelsea

Product Features and Benefits:

- **Power** – Torque capacity up to 670 lbs-ft / 908 Nm.
- **Pump Clearance** – Moves the PTO output flange rear of transmission cooler or retarder.
- **Ease of Installation** – Simplified output support bracketing.
- **Quiet** – Patent(s) Pending Quiet Gear™ input gear available.
- **Insurance** – Electronic Overspeed Control (EOC) protects driven equipment (870-XL Only).
- **Speeds** – Eight speed ratios.
- **Outputs** – Five rotatable pump flange options.
- **Protection** – Standard Wet Spline pump flange extends PTO and pump shaft life.



ENGINEERING YOUR SUCCESS.

870-XL/877-XL SERIES POWER TAKE-OFF SPECIFICATIONS AND TECHNICAL DATA

8 7 0 L A F J W - B 5 T S

Basic Model

- 870-XL PowerShift
- 877-XL Constant Mesh

Mounting Option

- L = Extended Output for MD/HD

Gear Ratio

- A = 24/40 *G = 33/31
- B = 25/39 *H = 34/30
- C = 26/38
- D = 27/37
- E = 29/35
- F = 31/33

* HD applications need approval from engineering
NOTE: For more details, see Application Catalog

Input Option

- FJ = Allison World Series
- QT = Quiet Gear™

Lube Option

Wet Spline

- W = Wet Spline
- V = Valve Body Rotated 120° w/ Wet Spline
- Y = Valve Body Rotated 240° w/ Wet Spline

Output Option

- TK = SAE B 2 or 4-Bolt Rotatable Flange, SAE B Shaft (7/8" - 13T)
- TF = SAE B 2 or 4-Bolt Rotatable Flange, SAE BB Shaft (1" - 15T)
- TZ = SAE B 2 or 4-Bolt Rotatable Flange, SAE C Shaft (1-1/4" - 14T)
- TS = SAE C 2 or 4-Bolt Rotatable Flange, SAE C Shaft (1-1/4" - 14T)
- TY = DIN 5462 Pump Mount

Assembly Arrangement

- 3 = Right side - bulge down
Left side - bulge up
- 5 = Left side - bulge down
Right side - bulge up

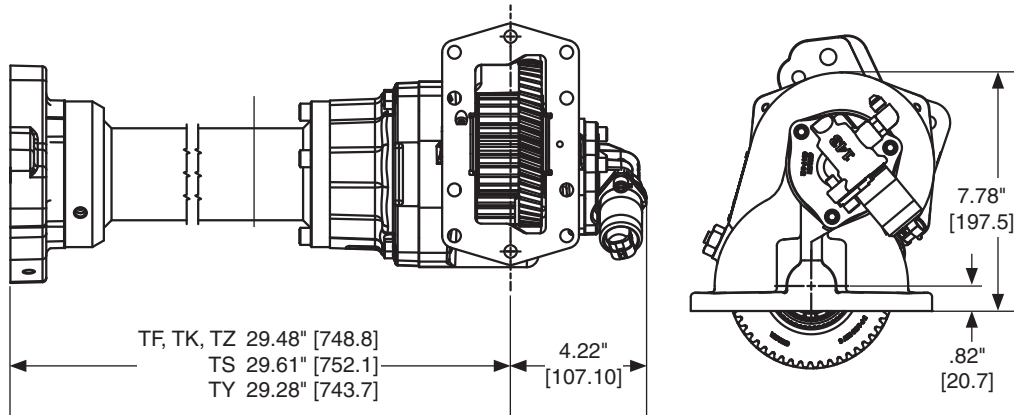
Shift Option

870 Series

- B = 12V Elec/Hyd
- D = 24V Elec/Hyd
- E = 12V Elec/Hyd w/o Installation Kit
- N = 24V Elec/Hyd w/o Installation Kit
- K = 12V Elec/Hyd w/ EOC
- L = 24V Elec/Hyd w/ EOC
- G = 12V Elec/Hyd Valve w/o EOC - Remote
- H = 24V Elec/Hyd Valve w/o EOC - Remote

877 Series

- M = Constant Mesh



Brackets and Bolt Kits Supplied Separately from PTO

Model	Arr.	Transmission	Location	Bracket	Bolt Kit w/o Cooler or Retarder	Bolt Kit with Cooler	Bolt Kit with Retarder
870L/877L	5	MD	Left	50-P-162	329928-1X	329928-1X	329928-3X
870L/877L	3	MD	Left	50-P-164	329928-1X	329928-1X	329928-3X
870L/877L	5	MD	Right	50-P-161	329928-1X	329928-1X	329928-3X
870L/877L	3	MD	Right	50-P-157	329928-1X	329928-1X	329928-3X
870L/877L	5	MD Side/Top	Left	50-P-163	329928-1X	329928-1X	329928-3X
870L/877L	5	HD	Left	50-P-165	329928-1X		329928-2X
870L/877L	3	HD	Left	50-P-158	329928-1X	329928-1X	329928-2X

