

How can I tell if my TXV is adjustable?

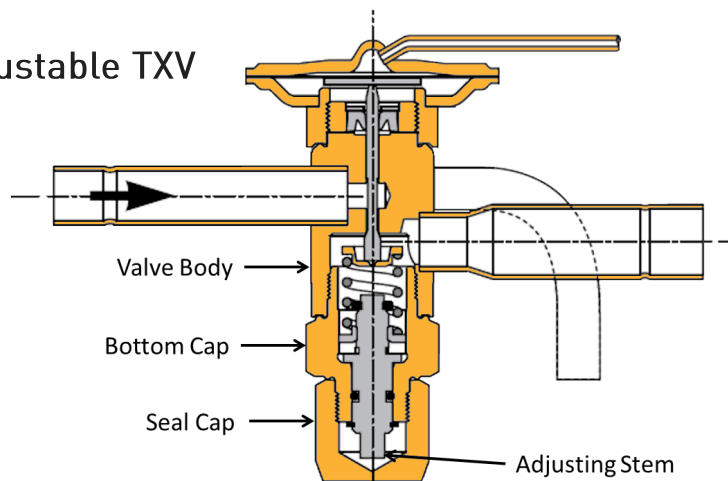
Most of the TXV's listed in Parker Catalog E-1 will be adjustable. Many of the valves made specifically for OEM customers are non-adjustable. One way to tell if a valve is adjustable or non-adjustable is to look at the bottom cap.

Adjustable expansion valves will have a threaded joint between the valve body and bottom cap as well as a threaded joint between the bottom cap and a hex seal cap that is removable to expose the adjusting stem. See figure of adjustable valve below.

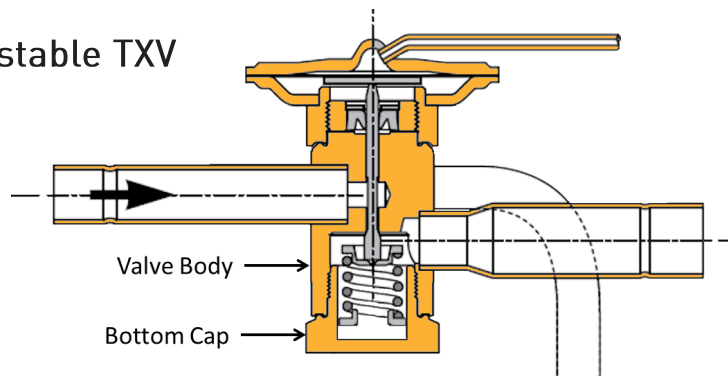
Non-adjustable valves on the other hand will only have one threaded joint between the valve body and bottom cap. See figure of non-adjustable valve below.

CAUTION: Never attempt to determine if a valve is adjustable by removing the bottom cap assembly unless the system has been pumped down, it could result in serious injury.

Adjustable TXV



Non-Adjustable TXV



Reprinted / adapted from Parker Sporlan Bulletin 5-220 / 032013.; Parker Catalog E-1 (2012).