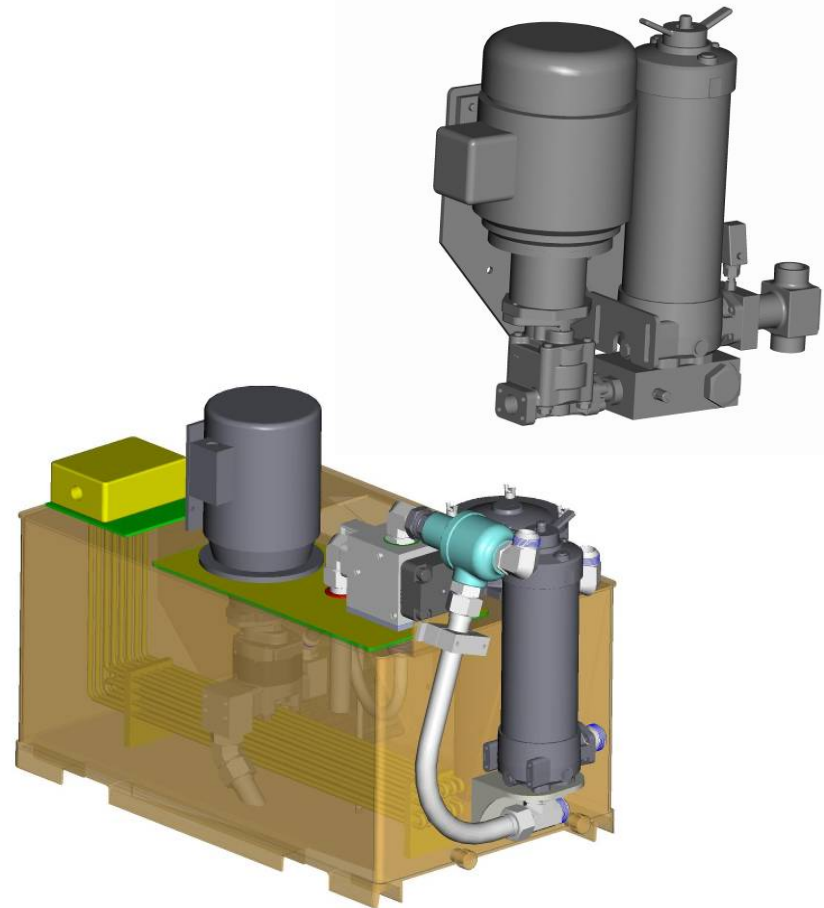


Gearbox Filtration System

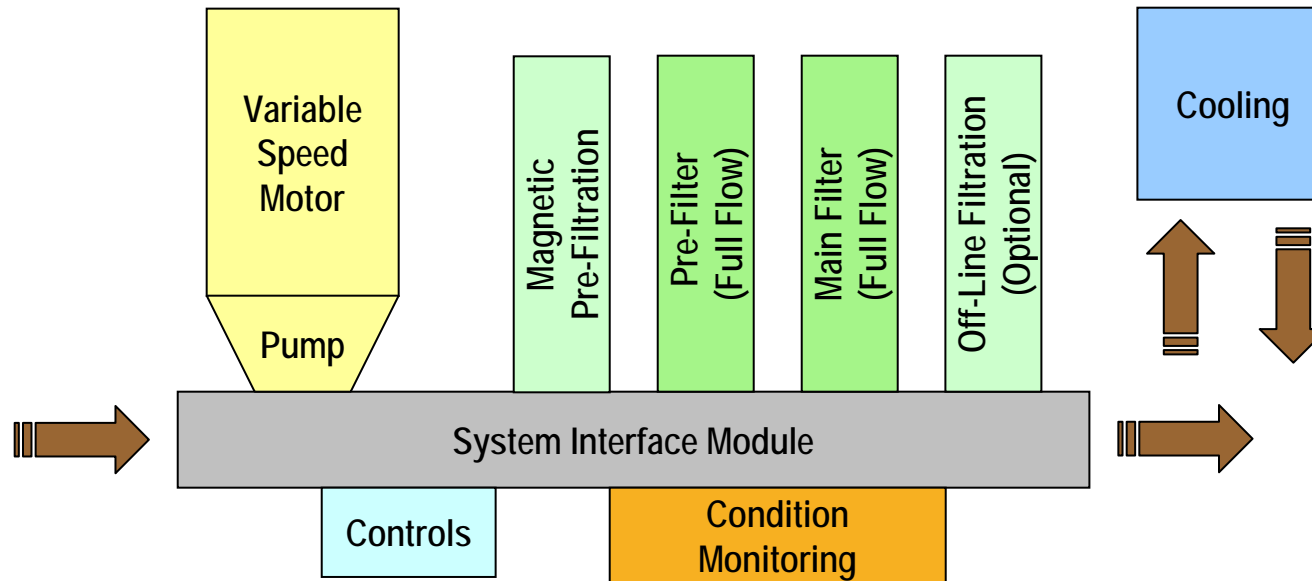


© Copyright Parker Hannifin Corporation



ENGINEERING YOUR SUCCESS.

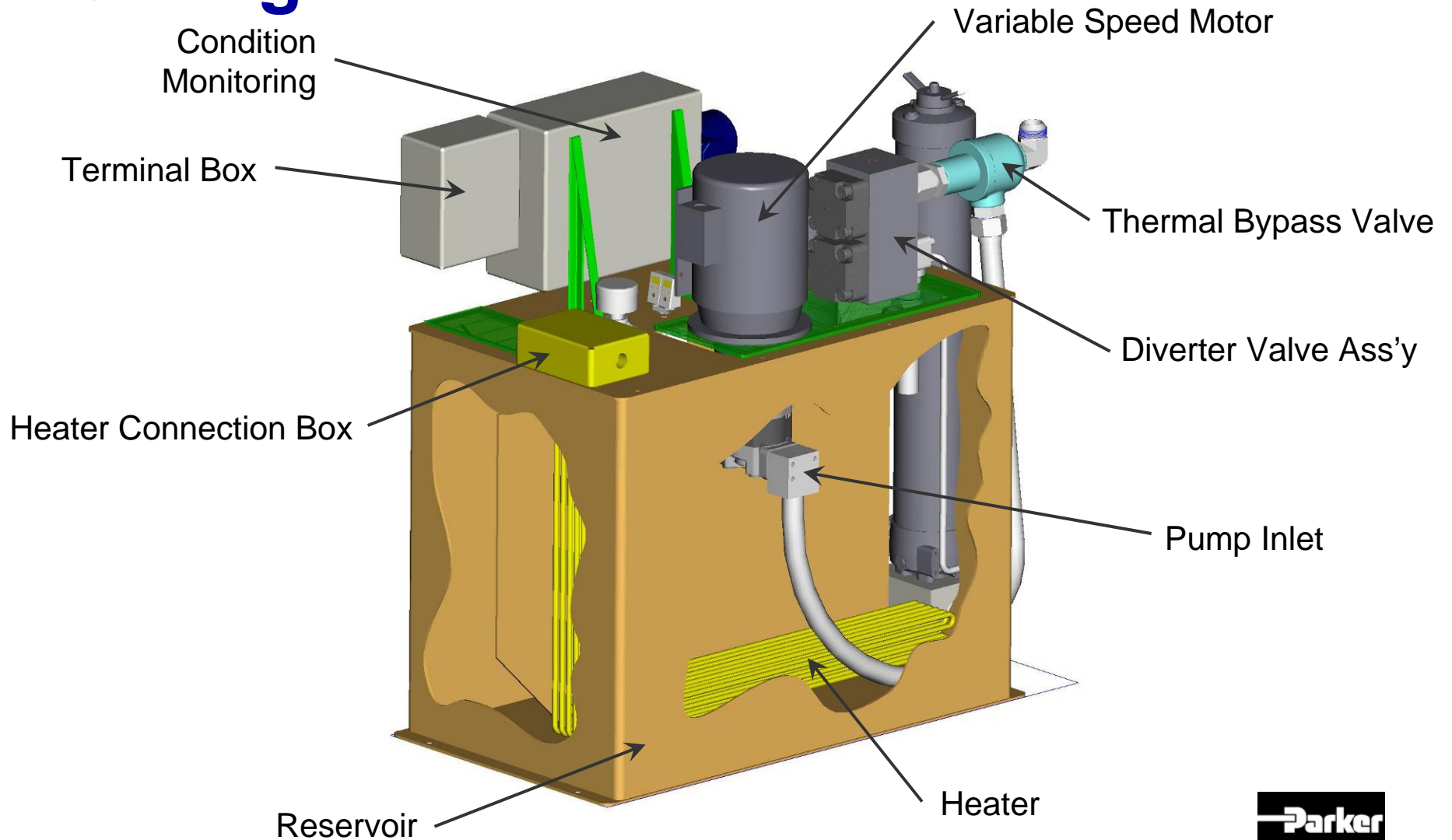
Gearbox Filtration System : Process



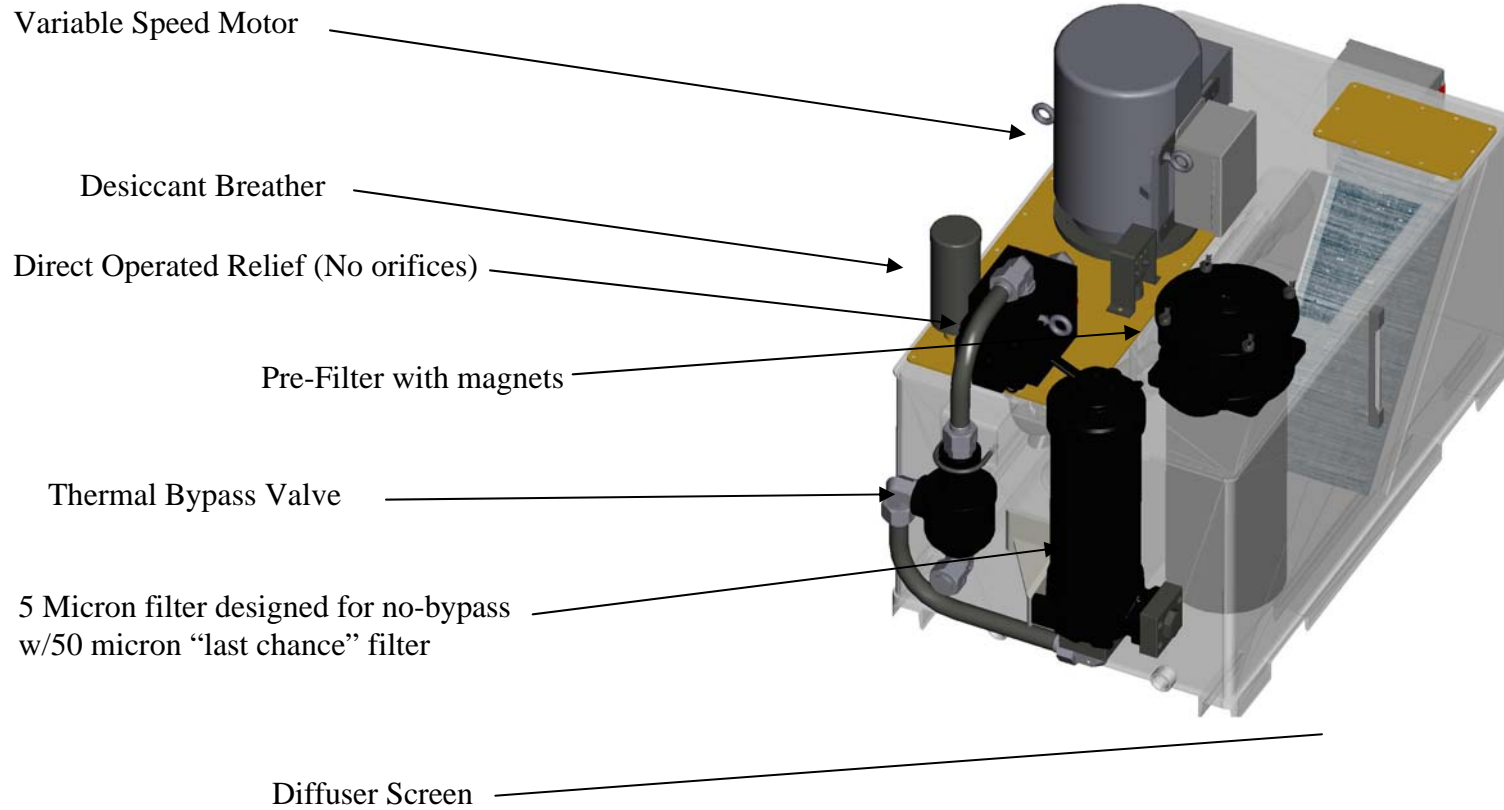
Process Designed to Optimize Performance:

- Motor-pump system delivers optimized flow over range of ΔP and ΔT
- Pre, Main & Off-line Filtration system maintains optimal oil conditions
- Condition Monitoring system provides smart, real-time, output

Gearbox Filtration System : Configuration



Gearbox Filtration System : Features



Gearbox Filtration System : Value Proposition

Productivity

Efficiency

- Variable Drive system
- Filtration system
- ConMon system

Reliability

Quality

- Filtration system provides 12 months of maintenance free service
- ConMon system provides real-time, quantifiable oil measurement

Service

Logistics

- Global manufacturing, service & support
- Predictable maintenance schedule
- Minimal maintenance parts & tool requirement



Parker is Global

Operations that Deliver



© Copyright Parker Hannifin Corporation

ENGINEERING YOUR SUCCESS.