

Portable Container Mounted Watermaker

LB-20K



Parker Water Purification LB-20K is a complete watermaker system to convert seawater, brackish water or contaminated water into drinking water. Comes complete with generator, supply pump and storage tanks to go into operation quickly. Standard 20 foot (6.1 m) ISO container can be transported by road, rail or by sea. Ready to deploy wherever temporary or emergency potable water is required.



Portable Container Mounted Watermaker LB-20K

Key Features:

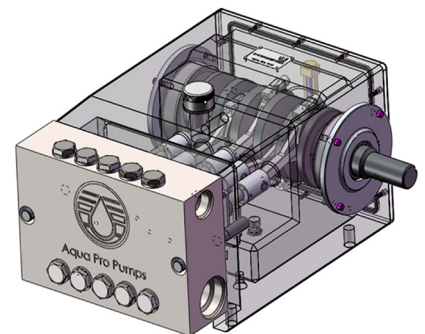
Contact Information:

Parker Hannifin Corporation
Water Purification
2630 E. El Presidio Street
Carson, CA 90810

phone (310) 608-5600
fax (310) 608-5692
waterpurification@parker.com
www.parker.com/waterpurification



Collapsible storage tanks



Titanium head 5P70 high pressure pump



ENGINEERING YOUR SUCCESS.

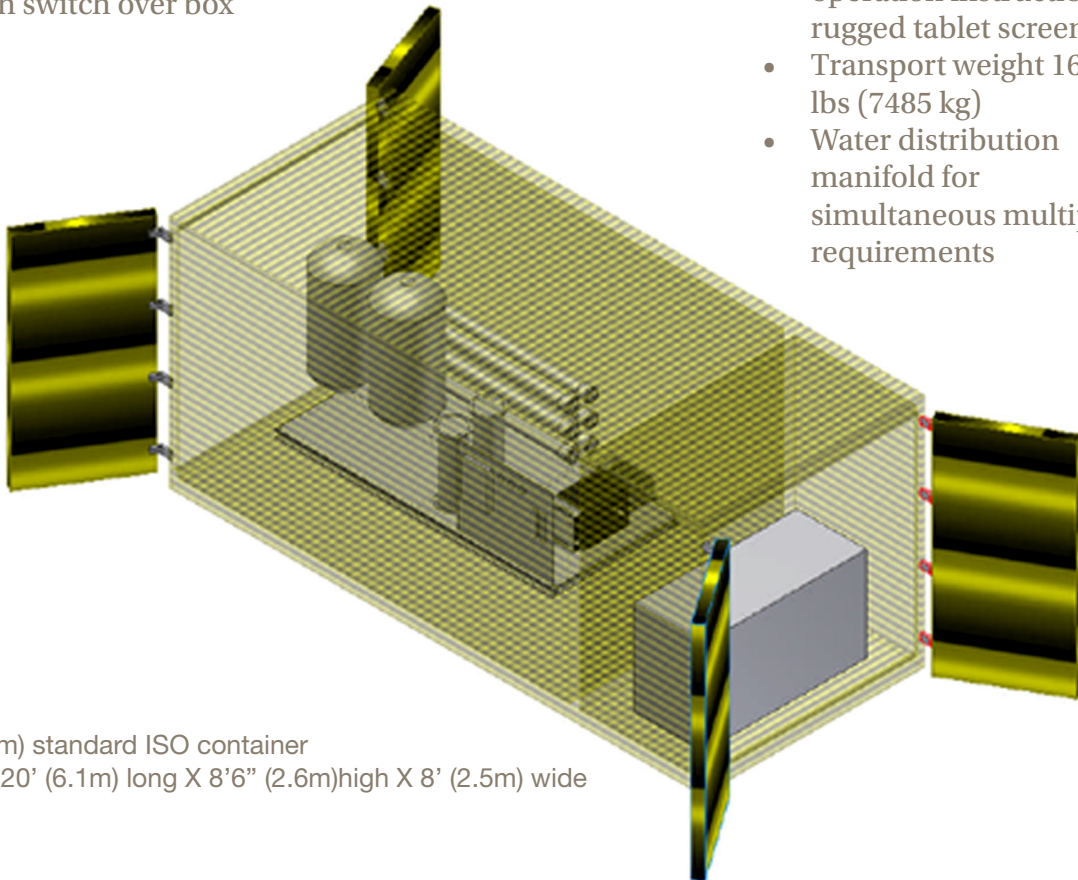
Portable Container Mounted Watermaker LB-20K

Specifications:

- Production capacity 20,000 USGPD (3.16 m³/h) potable water from seawater sources
- Power requirement 25 kW/hr at 440/3/60 or 380/3/50. 56 kW diesel generator also supplied with switch over box

- Feed pump with 100 foot (30.5 m) hoses. Strainer and lift check foot valve also included
- Pre filtration media tanks with backwash and rinse capability
- 20 micron and 5 micron prefilter cartridges
- Titanium head high pressure pump, belt driven at less than 650 rpm for long life and low noise
- Membrane array in FRP pressure vessels.

- Thin film composite membrane elements
- Clean in place membrane capability
- Post treatment chlorination
- Complete flow and pressure instrumentation
- Piping of FRP and stainless steel 316
- Overhead lighting inside container
- Collapsible potable water storage tank 3000 gallons (11,356 liters)
- Multi language setup and operation instructions on rugged tablet screen
- Transport weight 16,500 lbs (7485 kg)
- Water distribution manifold for simultaneous multiple requirements



20' (6.1m) standard ISO container
Approx 20' (6.1m) long X 8'6" (2.6m)high X 8' (2.5m) wide

To maintain peak performance always use genuine Parker replacement parts.
We reserve the right to change our specifications or standards without notice.