

18R Series

UHP Stainless Steel Diaphragm Valve
High Pressure, High Flow

aerospace
climate control
electromechanical
filtration
fluid & gas handling
hydraulics
pneumatics
process control
sealing & shielding

Value Proposition:

The 18R Series valve provides high flow and positive shut off for high purity fluid systems.

This 1/2" and 3/8" spring type diaphragm valve offers superior leak integrity for manually and pneumatically actuated versions with pressure ranges from vacuum up to 1500 psig.



Contact Information:

Parker Hannifin Corporation
Veriflo Division
250 Canal Blvd
Richmond, California 94804

phone 510 235 9590
fax 510 232 7396
veriflo.sales@parker.com

www.parker.com/veriflo
Mobile App: m.parker.com/veriflo

Product Features:

- Standard surface finish of 10 micro inch Ra
- Serialized and heat code traceable
- Fully functional from vacuum to 1500 psig. (Pneumatic version to 1200 psig)
- 100% Helium leak tested
- Vericlean™, Veriflo's low sulfur high purity 316L Stainless Steel enhances electropolishing, welding, and corrosion resistance
- Multi-diaphragm for superior cycle life

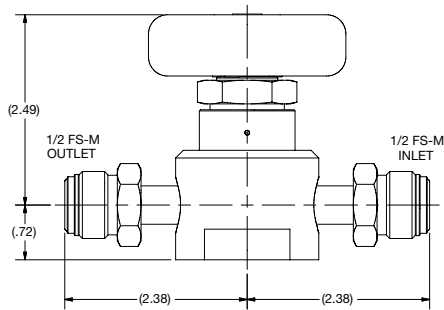
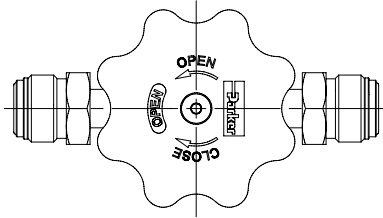


ENGINEERING YOUR SUCCESS.

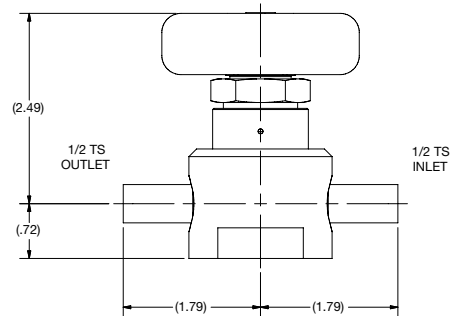
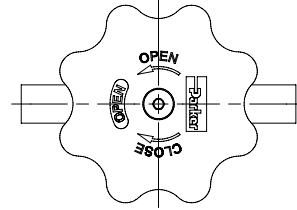
18R Series

Dimensional Drawings

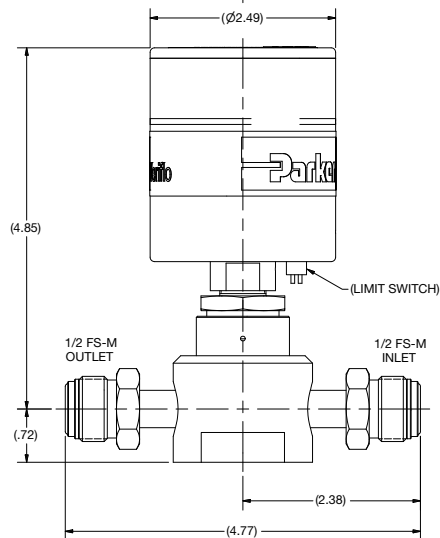
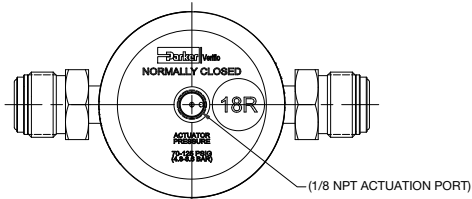
18RI SERIES VACUSEAL™



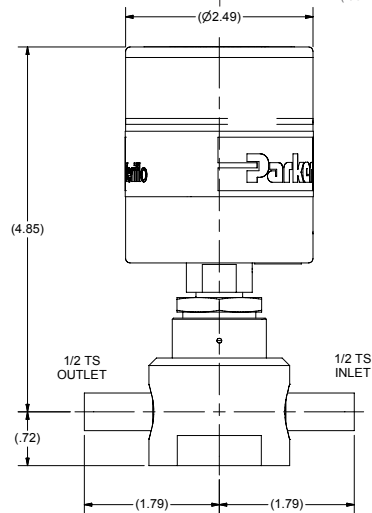
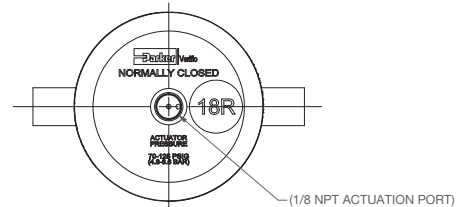
18RI SERIES TUBE STUB



18R AOPNC SERIES VACUSEAL™



18R AOPNC SERIES TUBE STUB



Safety Guide and Installation and Operating Instructions available at
www.parker.com/veriflo

18R Series

Ordering Information


Build an 18R Series valve by replacing the numbered symbols with an option from the corresponding tables below.


Contact factory for most up to date lead time information.

Blue = Configurations that have selections in blue may have an extended lead time and a minimum order quantity.


Sample:  **18R**  **AOPNC**  **S**  **FS8MM** 


Finished Order: **18RAOPNC SFS8MM**

 **Basic Series**
18R = 18R

 **Type**
AOPNC = Air Operated,
Normally Closed Air
Connection is 1/8" NPT
I = Indicating Hand
wheel

 **Body Material**
S = 316L Stainless Steel

 **Inlet/Outlet Connection**
FS8MM = 1/2" Face Seal
FS8FF = 1/2" Face Seal
TS6 = 3/8" Tube Stub
End-to-End length: 2.74"
TS8 = 1/2" Tube Stub
FS12MM = 3/4" Face Seal
End-to-End length: 5.79"
FS12FF = 3/4" Face Seal
End-to-End length: 5.79"

 **Optional Features**
This section can have multiple options
LSC = Limit Switch Closed *Available with AOPNC option only*
LSO = Limit Switch Open *Available with AOPNC option only*
PI = Polyimide Seat
3.25 = 1/2" Fixed Male Face Seal *Inlet/Outlet*

Additional configurations available upon request

18R Series

Specifications

Materials of Construction	
Wetted	
Body	VeriClean™ 316L Stainless Steel (Electropolished)
Diaphragm	Elgiloy® or equivalent
Seat Options	PCTFE (std) or Polyimide
Lower Stem	VeriClean™ 316L Stainless Steel (Passivated)
Spring	316 Stainless Steel (Electropolished)
Non-wetted	
Pneumatic	
Actuator Housing	Aluminum
Piston	303 Stainless Steel
Bonnet	17-4 Stainless Steel
Support Diaphragm	Sliver plated Beryllium Copper/ Elgiloy® or equivalent
Manual	
Hand Wheel	Aluminum
Bonnet	17-4 Stainless Steel
Upper Stem	Aluminum Silicon Bronze
Screw	18-8 Stainless Steel
Support Diaphragm	Sliver plated Beryllium Copper/ Elgiloy® or equivalent
Sleeve	Nylon
Limit Switch (Optional)	
Type	Single Pole, Single Throw (SPST) momentary action, non-adjustable
	26 AWG wire, 7", w/o connector
Rating	
AOPNCLSC	1/4 amp at 115 vac (normally closed)
AOPNCLSO	1/2 amp at 115 vac (normally open)

Functional Performance	
Flow Capacity	
Manual	C _v 1.3
Pneumatic	C _v 1.0
Leak Rate	
Design Internal	< 4 X 10 ⁻⁹ scc/sec He Inboard Test Method
Design External	< 1 X 10 ⁻⁹ scc/sec He Inboard Test Method
Production Leak Test	Outboard sniffer probe at 1000-1500 psig, 20-25% Helium
Surface Finish	10 micro inch Ra
Internal Volume	11.77 cc
Approx. Weight	
Manual	1.85 lbs. (0.84 kgs)
Pneumatic	3.35 lbs. (1.52 kgs)
Operating Conditions	
Operating Pressure	
Manual	Vacuum to 1500 psig (103.4 barg)
Pneumatic	Vacuum to 1200 psig (82.7 barg) at 70°F
Actuator	70 psig (4.8 barg) minimum to 125 psig (8.6 barg) maximum
Max Differential Back Pressure	200 psid (13.8 barg)
Temperature	
Manual	-40°F to 150°F (-40°C to 65°C)
Pneumatic	+15°F to 150°F (-9°C to 65°C)

For additional information on materials of construction, functional performance and operating conditions, please contact factory.

Elgiloy® is a registered trademark of Elgiloy Company
VeriClean™ and VacuSeal™ are trademarks of Parker Hannifin Corporation

OFFER OF SALE:

The items described in this document are hereby offered for sale by Parker-Hannifin Corporation, its subsidiaries or its authorized distributors. This offer and its acceptance are governed by the provisions stated in the detailed "Offer of Sale" elsewhere in this document or available at www.parker.com/veriflo

WARNING USER RESPONSIBILITY

FAILURE OR IMPROPER SELECTION OR IMPROPER USE OF THE PRODUCTS DESCRIBED HEREIN OR RELATED ITEMS CAN CAUSE DEATH, PERSONAL INJURY AND PROPERTY DAMAGE. THIS DOCUMENT IS FOR REFERENCE ONLY. PLEASE CONSULT FACTORY FOR LATEST PRODUCT DRAWINGS AND SPECIFICATIONS

This document and other information from Parker-Hannifin Corporation, its subsidiaries and authorized distributors provide product or system options for further investigation by users having technical expertise.

The user, through its own analysis and testing, is solely responsible for making the final selection of the system and components and assuring that all performance, endurance, maintenance, safety and warning requirements of the application are met. The user must analyze all aspects of the application, follow applicable industry standards, and follow the information concerning the product in the current product catalog and in any other materials provided from Parker or its subsidiaries or authorized distributors.

To the extent that Parker or its subsidiaries or authorized distributors provide component or system options based upon data or specifications provided by the user, the user is responsible for determining that such data and specifications are suitable and sufficient for all applications and reasonably foreseeable uses of the components or systems.

The products described herein, including without limitation, product features, specifications, designs, availability and pricing are subject to change by Parker Hannifin Corp and its subsidiaries at any time without notice.

Proposition 65 Warning: This product contains chemicals known to the state of California to cause cancer or birth defects or other reproductive harm.