

HFR900 Series

Single-Stage, High Flow Pressure Regulator

Stainless Steel



Value Proposition:

The HFR900 Series is designed for high flow rates requiring a compact pressure regulator for control. It can be used with corrosive and non-corrosive gases. Meets most high flow requirements with less than 500 psig supply pressure.

Product Features:

- Self-contained, replaceable valve seat assembly
- Over 20 years of proven reliability
- Available in 316L Stainless Steel
- 1/8" NPT captured vent port is standard
- Large orifice for high flow (up to 500 LPM)
- Large diaphragm for higher sensitivity
- Panel Mount option available

Specifications:

Functional Performance	
Design	
Burst Pressure	1,500 psig (103 barg)
Proof Pressure	750 psig (52 barg)
Flow Capacity	C _v 0.85
Leak Rate	
Internal	Bubble Tight
External	Bubble Tight
Internal Volume	38 cc without fittings
Approximate Weight	2.5 lbs. (1.2 kg)

Operating Conditions	
Maximum Inlet	Based upon seat option
Fluorocarbon	500 psig (35 barg)
Perfluoroelastomer	200 psig (14 barg)
Outlet Options	1 - 30 psig (0-2 barg) 2 - 75 psig (0.1-5 barg) 5 - 150 psig (0.3-10 barg)
Temperature	-40°F to 150°F (-40°C to 66°C)

Material of Construction	
Wetted	
Body	316L Stainless Steel
Diaphragm	316L Stainless Steel, PTFE Lined
Nozzel Assembly	
Nozzel Body Options	316L Stainless Steel
Seat Options	(K) Perfluoroelastomer (FFKM) or (V) Fluorocarbon (FKM)
Screen	316L Stainless Steel
Retaining Ring	15-7 PH
Gasket	PTFE
Washer	316L Stainless Steel
Spring	316 Stainless Steel
Non-Wetted	
Cap Options	Nickel Plated Brass
Knob	ABS

For additional information on materials of construction, functional performance and operating conditions, please contact factory.

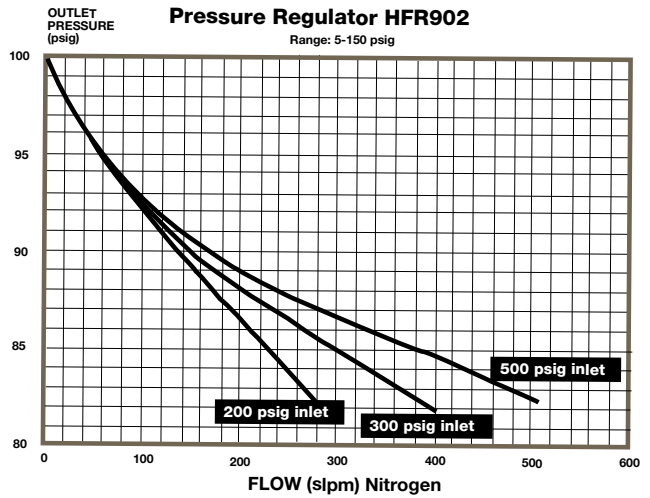
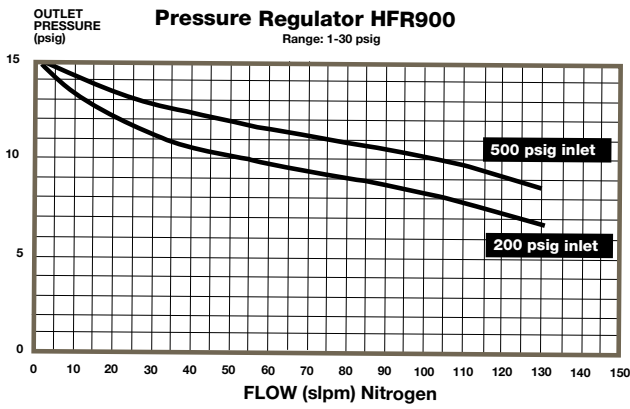
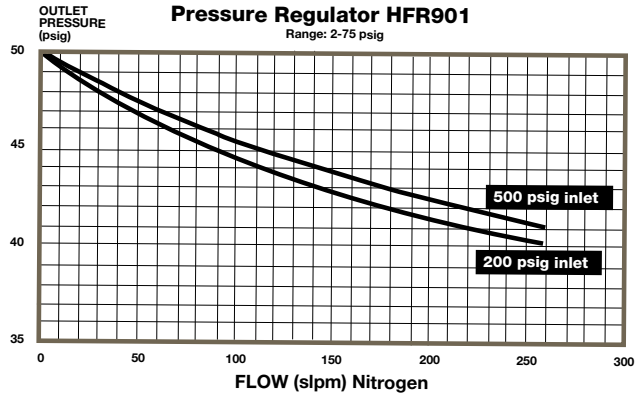
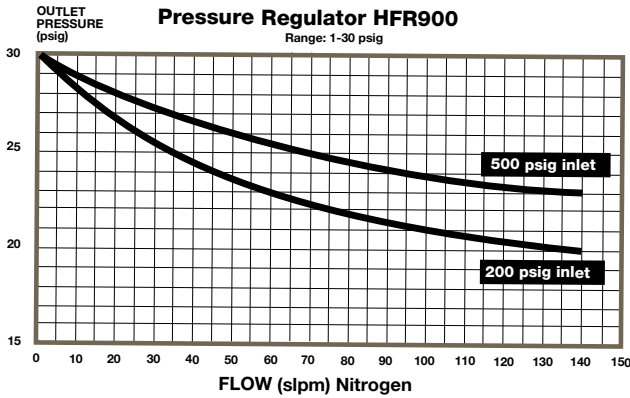


INSTRUMENTATION PRODUCTS DIVISION

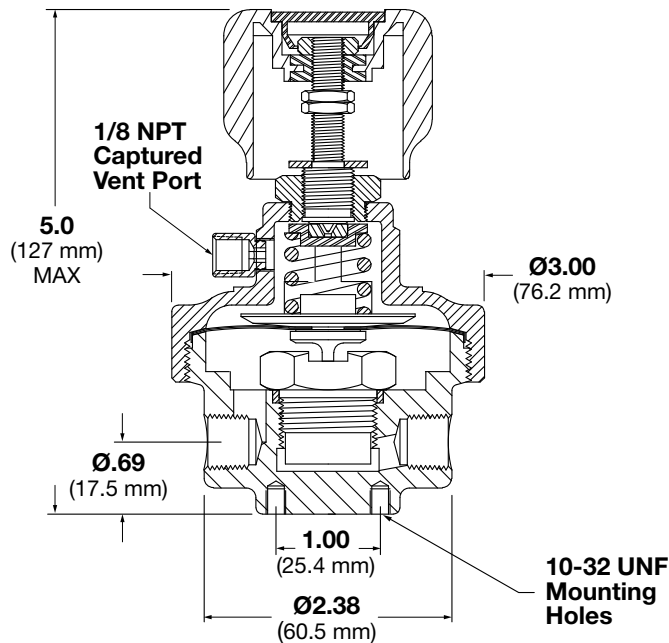
ENGINEERING YOUR SUCCESS.

HFR900 Series

Flow Curve:



Dimensional Drawing:



HFR900 Series

Ordering Information:

Building a Part Number: *Example: HFR900S4P0366K*

Example Part Number:	HFR90	0	S	4P	03	6	6	K	
Ordering Parameters/Options:	Series	Range	Body Material	Porting	Outlet Gauge	Inlet Gauge	Port Style	Seat Material	Optional Features
Table Reference: (see below)	A	B	C	D	E	F	G	H	I

A - Series

HFR900	HFR900 Series Regulator
--------	-------------------------

B - Range

0	0-30 psig
1	2-75 psig
2	5-150 psig

C - Body Material

S	316L Stainless Steel
---	----------------------

D - Porting

2P	2 Ports (No X required for gauges, inlet and outlet ports only)
3P	3 Ports (One X for gauge ports)
4P	4 Ports (Two X for gauge ports)
4PB	4 Ports (One X for gauge ports)

Note: Ports may be plugged for NPT threaded product.

E - Outlet Gauge / Basic Series

03	0-30 psig
OL	0-60 psig
01	0-100 psig
2	0-200 psig
X	No Gauge

F - Inlet Gauge

4	0-400 psig
6	0-600 psig
X	No Gauge

G - Port Style

4	1/4" NPT Female (All Gauge ports are 1/4" NPT Female)
6	3/8" NPT Female (All Gauge ports are 1/4" NPT Female)
8	1/2" NPT Female (All Gauge ports are 1/4" NPT Female)

H - Seat Material

K	Perfluoroelastomer (FFKM) (200 psig maximum)
V	Fluorocarbon (FKM) (500 psig maximum)

I - Optional Features (This section can have multiple options)

PM	Panel Mount (Captured Vent Not Available)
C3	Cleaned Oxygen Service (Oxygen Cleaning requirements are in accordance with Parker Specification ES8003)

Parker Instrumentation Products Division reserves the right to plug NPT ports

Parker Worldwide

North America

USA – Corporate, Cleveland, OH
Tel: +1 256 896 3000

USA – IPD, Huntsville, AL
Tel: +1 256 881 2040
ipdctt@parker.com

USA – IPD, (Autoclave), Erie, PA
Tel: +1 814 860 5700
ipdaectt@parker.com

CA – Canada, Grimsby, Ontario
Tel: +1 905-945-2274
ipd_canada@parker.com

South America

AR – Argentina, Buenos Aires
Tel: +54 3327 44 4129
falecom@parker.com

BR – Brazil, Diadema, SP
Tel: +55 11 4360 6700
falecom@parker.com

CL – Chile, Santiago
Tel: +56 (0) 2 2303 9640
falecom@parker.com

MX – Mexico, Toluca
Tel: +52 722 275 4200
contacto@parker.com

Asia Pacific

AU – Australia, Dandenong
Tel: +61 (0)2 9842 5150
customer.service.au@parker.com

CN – China, Shanghai
Tel: +86 21 2899 5000
INGtechnical.china@parker.com

HK – Hong Kong
Tel: +852 2428 8008

IN – India, Mumbai
Tel: +91 22 6513 7081-85

ID – Indonesia, Tangerang
Tel: +62 2977 7900
parker.id@parker.com

JP – Japan, Tokyo
Tel: +(81) 3 6365 4020
infophj@parker.com

KR – South Korea, Seoul
Tel: +82 2 559 0400
parkerkr@parker.com

MY – Malaysia, Selangor
Tel: +603 784 90 800
parkermy@parker.com

SG – Singapore,
Tel: +65 6887 6300
parkerkg@parker.com

TH – Thailand, Bangkok
Tel: +66 2 186 7000
phthailand@parker.com

TW – Taiwan, Taipei
Tel: +886 2 2298 8987
enquiry.taiwan@parker.com

VN – Vietnam, Hochi Minh City
Tel: +848 382 508 56
parker_viet@parker.com

Europe, Middle East, Africa

AE – UAE, Dubai
Tel: +971 4 812 7100
parker.me@parker.com

AT – Austria, Wiener Neustadt
Tel: +43 (0)2622 23501-0
parker.austria@parker.com

AT – Eastern Europe, Wiener Neustadt
Tel: +43 (0)2622 23501 900
parker.easteurope@parker.com

AZ – Azerbaijan, Baku
Tel: +994 50 2233 458
parker.azerbaijan@parker.com

BE/LU – Belgium, Nivelles
Tel: +32 (0)67 280 900
parker.belgium@parker.com

BG – Bulgaria, Sofia
Tel: +359 2 980 1344
parker.bulgaria@parker.com

BY – Belarus, Minsk
Tel: +48 (0)22 573 24 00
parker.belarus@parker.com

CH – Switzerland, Etoy
Tel: +41 (0) 21 821 87 00
parker.switzerland@parker.com

CZ – Czech Republic, Klecany
Tel: +420 284 083 111
parker.czechrepublic@parker.com

DE – Germany, Kaarst
Tel: +49 (0)2131 4016 0
parker.germany@parker.com

DK – Denmark, Ballerup
Tel: +45 43 56 04 00
parker.denmark@parker.com

ES – Spain, Madrid
Tel: +34 902 33 00 01
parker.spain@parker.com

FI – Finland, Vantaa
Tel: +358 (0)20 753 2500
parker.finland@parker.com

FR – France, Contamine s/Arve
Tel: +33 (0)4 50 25 80 25
parker.france@parker.com

GR – Greece, Athens
Tel: +30 210 933 6450
parker.greece@parker.com

HU – Hungary, Budapest
Tel: +36 223 885 470
parker.hungary@parker.com

IE – Ireland, Dublin
Tel: +353 (0)1 466 6370
parker.ireland@parker.com

IT – Italy, Corsico (MI)
Tel: +39 02 45 19 21
parker.italy@parker.com

KZ – Kazakhstan, Almaty
Tel: +7 7273 561 000
parker.easteurope@parker.com

NL – The Netherlands, Oldenzaal
Tel: +31 (0)541 585 000
parker.nl@parker.com

NO – Norway, Stavanger
Tel: +47 66 75 34 00
parker.norway@parker.com

PL – Poland, Warsaw
Tel: +48 (0)22 573 24 00
parker.poland@parker.com

PT – Portugal, Leca da Palmeira
Tel: +351 22 999 7360
parker.portugal@parker.com

RO – Romania, Bucharest
Tel: +40 21 252 1382
parker.romania@parker.com

RU – Russia, Moscow
Tel: +7 495 645-2156
parker.russia@parker.com

SE – Sweden, Spånga
Tel: +46 (0)8 59 79 50 00
parker.sweden@parker.com

SK – Slovakia, Banská Bystrica
Tel: +421 484 162 252
parker.slovakia@parker.com

SL – Slovenia, Novo Mesto
Tel: +386 7 337 6650
parker.slovenia@parker.com

TR – Turkey, Istanbul
Tel: +90 216 4997081
parker.turkey@parker.com

UA – Ukraine, Kiev
Tel: +48 (0)22 573 24 00
parker.ukraine@parker.com

UK – United Kingdom, Warwick
Tel: +44 (0)1926 317 878
parker.uk@parker.com

ZA – South Africa, Kempton Park
Tel: +27 (0)11 961 0700
parker.southafrica@parker.com

WARNING

FAILURE, IMPROPER SELECTION OR IMPROPER USE OF THE PRODUCTS AND/OR SYSTEMS DESCRIBED HEREIN OR RELATED ITEMS CAN CAUSE DEATH, PERSONAL INJURY AND PROPERTY DAMAGE.

This document and other information from Parker Hannifin Corporation, its subsidiaries and authorized distributors provide product and/or system options for further investigation by users having technical expertise. It is important that you analyze all aspects of your application and review the information concerning the product or system in the current product catalog. Due to the variety of operating conditions and applications for these products or systems, the user, through its own analysis and testing, is solely responsible for making the final selection of the products and systems and assuring that all performance, safety and warning requirements of the application are met. The products described herein, including without limitation, product features, specifications, designs, availability and pricing, are subject to change by Parker Hannifin Corporation and its subsidiaries at any time without notice. Proposition 65 Warning: This product contains chemicals known to the state of California to cause cancer or birth defects or other reproductive harm.

Offer of Sale

The items described in this document are available for sale by Parker Hannifin Corporation, its subsidiaries or its authorized distributors. Any sale contract entered by Parker will be governed by the provisions stated in Parker's standard terms and conditions of sale (copy available upon request).

©2017 Parker Hannifin Corporation | Instrumentation Products Division

Literature #: 25000035 Nov 2017



Instrumentation Products Division
1005 A Cleaner Way
Huntsville, AL 35805 • USA
Tel: 256 881 2040
Fax: 256 881 5072

ipd.sales@parker.com
www.parker.com/ipd
Mobile Application: m.parker.com/ipd

HFR900 SERIES: Single Stage, High Flow Pressure Regulator



ENGINEERING YOUR SUCCESS.