

Hydraulic Pumps - Service Information

T7D - T7DS

Denison Vane Technology



ENGINEERING YOUR SUCCESS.

Hydraulic Pumps T7D - T7DS, Denison Vane Pumps

Model description

Model No. T7D or T7DS - B42 - 1 R 00 - A 1 - M0 - ..

T7D series - 125 A2 HW
ISO 2 bolts 3019-2 mounting flange

T7DS series - SAE C 2 bolts
J744 mounting flange

Displacement
Volumetric displacement (ml/rev.)
B14 = 44,0 B31 = 99,2
B17 = 55,0 B35 = 113,4
B20 = 66,0 B38 = 120,6
B22 = 70,3 B42 = 137,5
B24 = 81,1 045 = 145,7
B28 = 90,0 050 = 158,0

Type of shaft T7D - T7DS
5 = keyed (ISO 3019-2 - G32M)

Type of shaft T7DS
1 = keyed (SAE C) Ø 31,7
2 = keyed (non SAE)
3 = splined (SAE C) 14 teeth
4 = splined (non SAE)

Direction of rotation (shaft end view)
R = Clockwise
L = Counter-clockwise

Modifications

Mounting w/connection variables
4 bolts SAE flange J518

P = 1.1/4" - S = 2"		
	Metric thread	UNC thread
T7D	M0	
T7DS	M0	Y0 ¹⁾
		00
P = 1.1/4" - S = 2.1/2"		
	Metric thread	UNC thread
T7D-T7DS	MW	0W

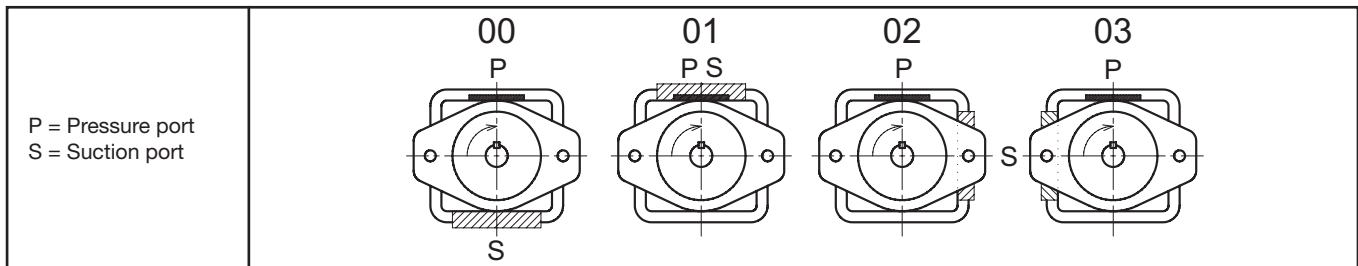
¹⁾ 250 bar max. int.

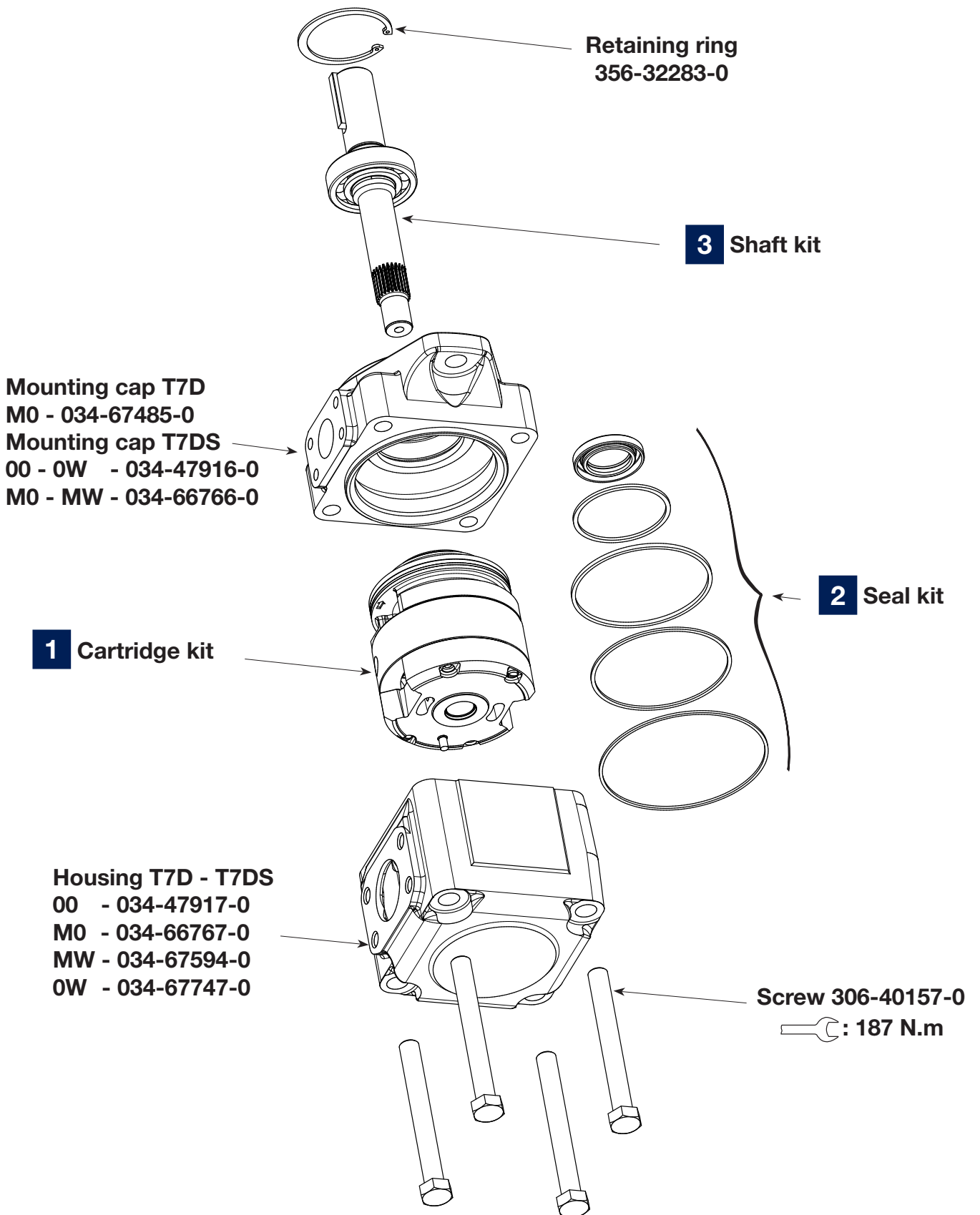
Seal class
1 = S1 BUNA N - 0,7 bar max. (for mineral oil)
4 = S4 EPDM - 7 bar max. (for fire resistant fluids)
5 = S5 VITON® - 7 bar max. (for mineral oil and fire resistant fluids)

Design letter

Porting combination
00 = standard

Position of the ports



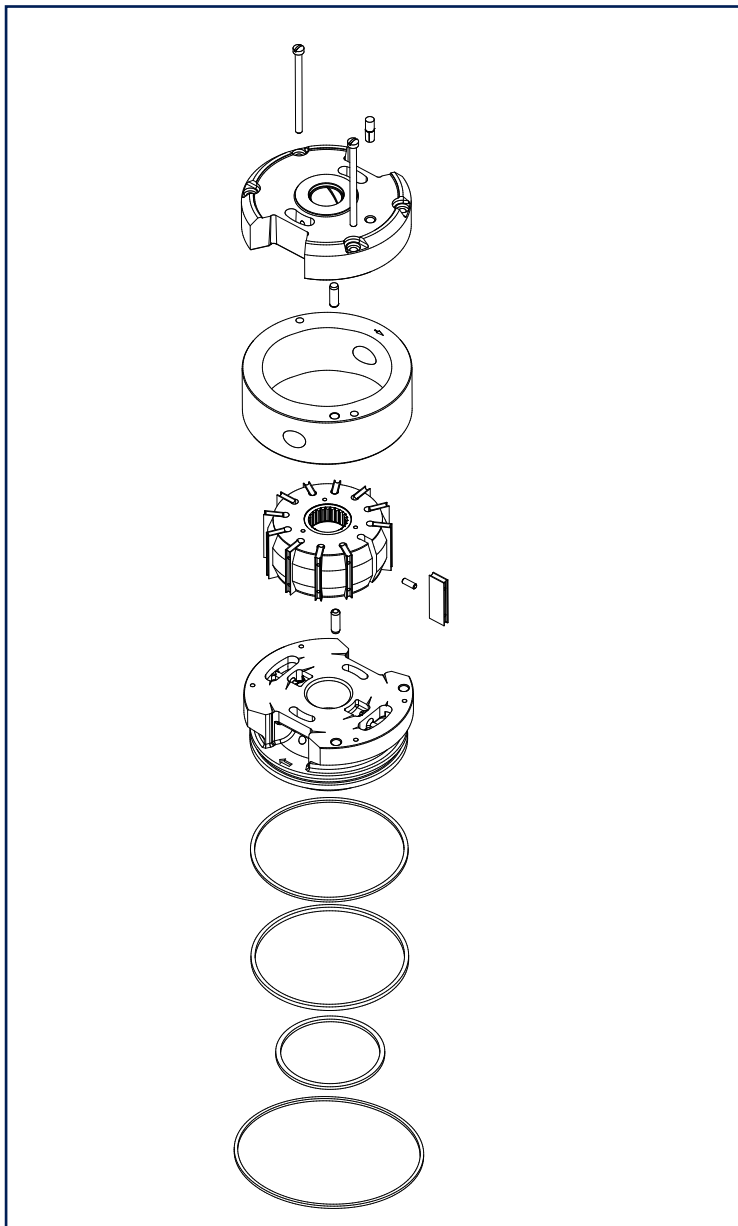


1 Cartridge kit (Preferred)

T7D - T7DS - B** - * * * * - * * - **

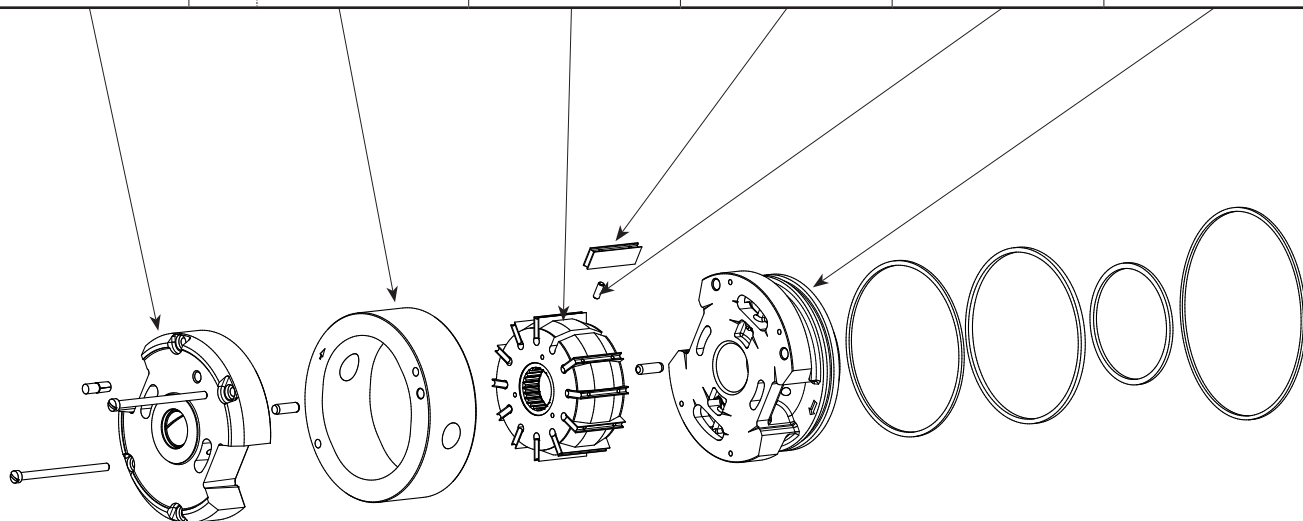
Cartridge kit	Code N°	
	Displacement	R (CW)
B14	S24-76312-*	S24-76313-*
B17	S24-76314-*	S24-76315-*
B20	S24-76316-*	S24-76317-*
B22	S24-76318-*	S24-76319-*
B24	S24-76320-*	S24-76321-*
B28	S24-76322-*	S24-76323-*
B31	S24-76324-*	S24-76325-*
B35	S24-76326-*	S24-76327-*
B38	S24-76328-*	S24-76329-*
B42	S24-76330-*	S24-76331-*
045	S24-10847-*	S24-10848-*
050	S24-40028-*	S24-40029-*

* = 0 = S1 BUNA N
* = 4 = S4 EPDM
* = 5 = S5 VITON®

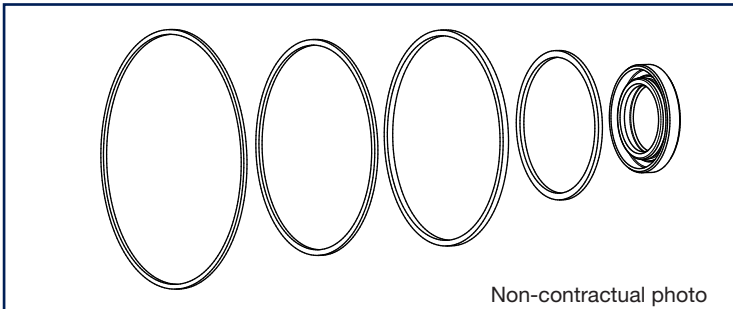


Cartridge loose items

1 x	1 x		1 x	12 x	12 x	1 x
S24-76332-0	014	034-67469-0	S24-73783-0	034-67453-0	034-59098-0	034-67479-0
	017	034-67470-0				
	020	034-67159-0				
	022	034-67482-0				
	024	034-67158-0				
	028	034-67157-0				
	031	034-67156-0				
	035	034-67155-0				
	038	034-67154-0				
	042	034-67153-0				
CCW - S24-63710-0	045	034-59131-0	S24-10121-0	(x 10) 034-53588-0	(x 10) 034-59130-0	CCW - 034-67113-0
CW - S24-63709-0	050	034-66737-0		CW - 034-67111-0		

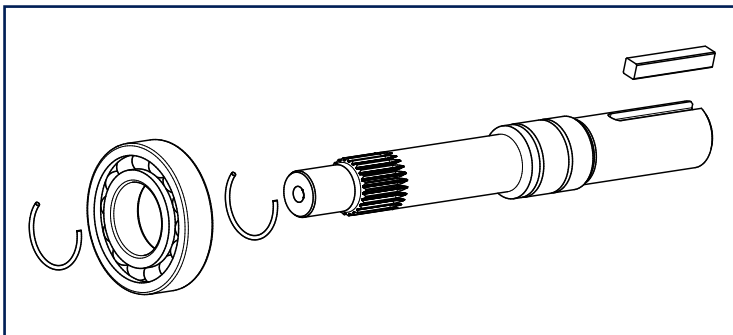


2 Seal kit

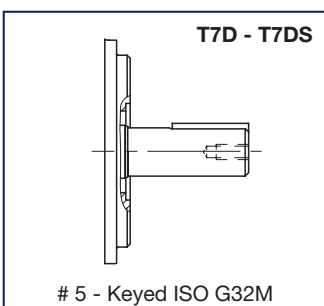
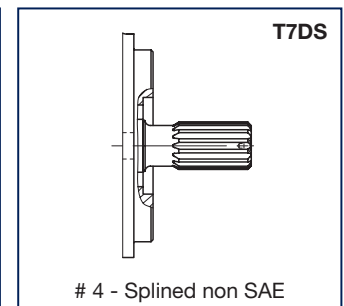
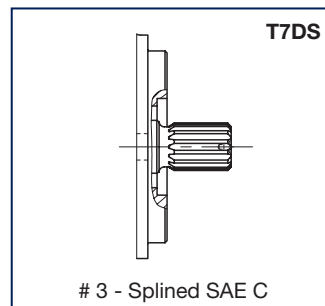
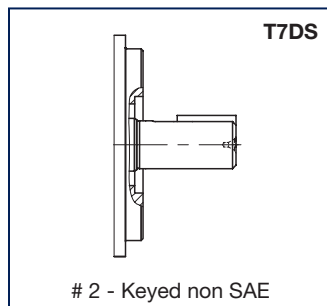
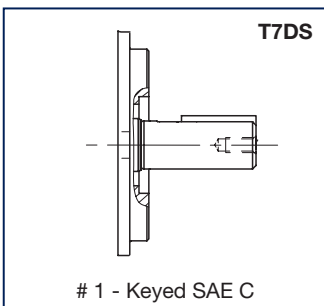


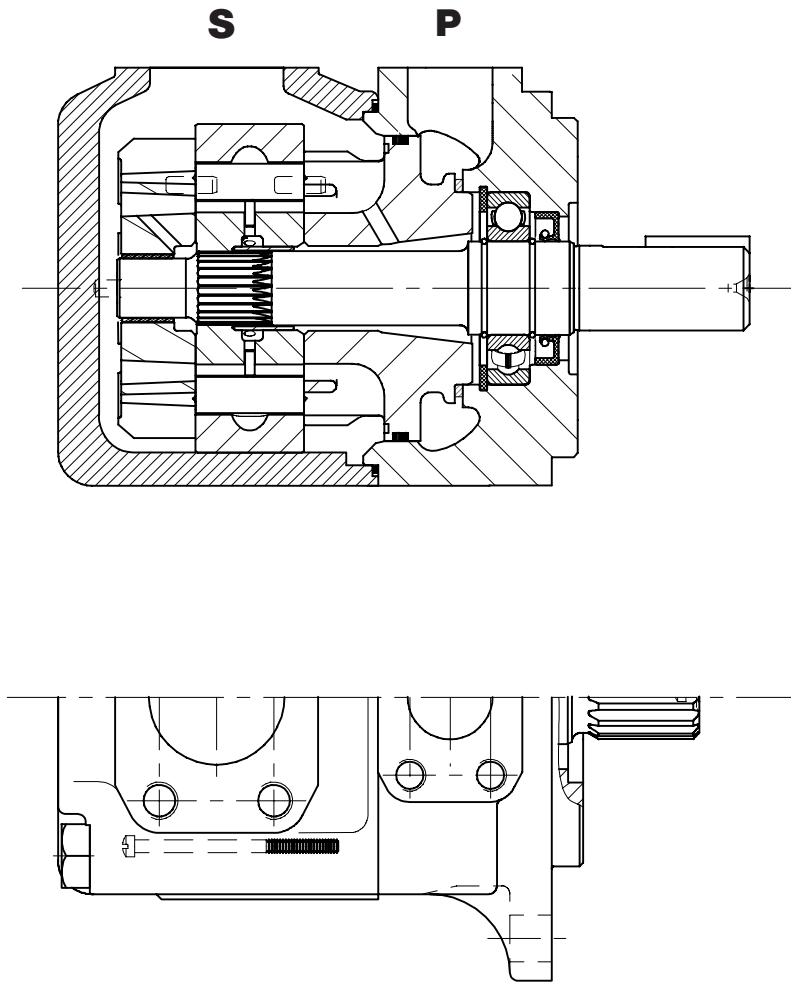
Seal kit	Code N°
T7D - T7DS - *** - **** - * 1 - **	S24-10138-0
T7D - T7DS - *** - **** - * 4 - **	S24-10138-4
T7D - T7DS - *** - **** - * 5 - **	S24-10138-5

3 Shaft kit



Shaft kit	Code N°
T7DS - *** - 1 *** - * * - **	S14-20084-0
T7DS - *** - 2 *** - * * - **	S14-25646-0
T7DS - *** - 3 *** - * * - **	S14-20085-0
T7DS - *** - 4 *** - * * - **	S14-40835-0
T7D - T7DS - *** - 5 *** - * * - **	S24-45064-0





WARNING – USER RESPONSIBILITY

FAILURE OR IMPROPER SELECTION OR IMPROPER USE OF THE PRODUCTS DESCRIBED HEREIN OR RELATED ITEMS CAN CAUSE DEATH, PERSONAL INJURY AND PROPERTY DAMAGE.

This document and other information from Parker-Hannifin Corporation, its subsidiaries and authorized distributors provide product or system options for further investigation by users having technical expertise.

The user, through its own analysis and testing, is solely responsible for making the final selection of the system and components and assuring that all performance, endurance, maintenance, safety and warning requirements of the application are met. The user must analyze all aspects of the application, follow applicable industry standards, and follow the information concerning the product in the current product catalog and in any other materials provided from Parker or its subsidiaries or authorized distributors.

To the extent that Parker or its subsidiaries or authorized distributors provide component or system options based upon data or specifications provided by the user, the user is responsible for determining that such data and specifications are suitable and sufficient for all applications and reasonably foreseeable uses of the components or systems.

Offer of Sale

Please contact your Parker representation for a detailed "Offer of Sale".

Parker Worldwide

Europe, Middle East, Africa

AE – United Arab Emirates,
Dubai

Tel: +971 4 8127100
parker.me@parker.com

AT – Austria, Wiener Neustadt

Tel: +43 (0)2622 23501-0
parker.austria@parker.com

AT – Eastern Europe, Wiener
Neustadt

Tel: +43 (0)2622 23501 900
parker.easteurope@parker.com

AZ – Azerbaijan, Baku

Tel: +994 50 22 33 458
parker.azerbaijan@parker.com

BE/LU – Belgium, Nivelles

Tel: +32 (0)67 280 900
parker.belgium@parker.com

BG – Bulgaria, Sofia

Tel: +359 2 980 1344
parker.bulgaria@parker.com

BY – Belarus, Minsk

Tel: +48 (0)22 573 24 00
parker.poland@parker.com

CH – Switzerland, Etoy

Tel: +41 (0)21 821 87 00
parker.switzerland@parker.com

CZ – Czech Republic, Klecany

Tel: +420 284 083 111
parker.czechrepublic@parker.com

DE – Germany, Kaarst

Tel: +49 (0)2131 4016 0
parker.germany@parker.com

DK – Denmark, Ballerup

Tel: +45 43 56 04 00
parker.denmark@parker.com

ES – Spain, Madrid

Tel: +34 902 330 001
parker.spain@parker.com

FI – Finland, Vantaa

Tel: +358 (0)20 753 2500
parker.finland@parker.com

FR – France, Contamine s/Arve

Tel: +33 (0)4 50 25 80 25
parker.france@parker.com

GR – Greece, Athens

Tel: +30 210 933 6450
parker.greece@parker.com

HU – Hungary, Budaoers

Tel: +36 23 885 470
parker.hungary@parker.com

IE – Ireland, Dublin

Tel: +353 (0)1 466 6370
parker.ireland@parker.com

IT – Italy, Corsico (MI)

Tel: +39 02 45 19 21
parker.italy@parker.com

KZ – Kazakhstan, Almaty

Tel: +7 7273 561 000
parker.easteurope@parker.com

NL – The Netherlands, Oldenzaal

Tel: +31 (0)541 585 000
parker.nl@parker.com

NO – Norway, Asker

Tel: +47 66 75 34 00
parker.norway@parker.com

PL – Poland, Warsaw

Tel: +48 (0)22 573 24 00
parker.poland@parker.com

PT – Portugal

Tel: +351 22 999 7360
parker.portugal@parker.com

RO – Romania, Bucharest

Tel: +40 21 252 1382
parker.romania@parker.com

RU – Russia, Moscow

Tel: +7 495 645-2156
parker.russia@parker.com

SE – Sweden, Spånga

Tel: +46 (0)8 59 79 50 00
parker.sweden@parker.com

SK – Slovakia, Banská Bystrica

Tel: +421 484 162 252
parker.slovakia@parker.com

SL – Slovenia, Novo Mesto

Tel: +386 7 337 6650
parker.slovenia@parker.com

TR – Turkey, Istanbul

Tel: +90 216 4997081
parker.turkey@parker.com

UA – Ukraine, Kiev

Tel: +48 (0)22 573 24 00
parker.poland@parker.com

UK – United Kingdom, Warwick

Tel: +44 (0)1926 317 878
parker.uk@parker.com

ZA – South Africa, Kempton Park

Tel: +27 (0)11 961 0700
parker.southafrica@parker.com

North America

CA – Canada, Milton, Ontario

Tel: +1 905 693 3000

US – USA, Cleveland

(industrial)
Tel: +1 216 896 3000

US – USA, Elk Grove Village

(mobile)
Tel: +1 847 258 6200

Asia Pacific

AU – Australia, Castle Hill

Tel: +61 (0)2-9634 7777

CN – China, Shanghai

Tel: +86 21 2899 5000

HK – Hong Kong

Tel: +852 2428 8008

ID – Indonesia, Tangerang

Tel: +62 21 7588 1906

IN – India, Mumbai

Tel: +91 22 6513 7081-85

JP – Japan, Fujisawa

Tel: +81 (0)4 6635 3050

KR – South Korea, Seoul

Tel: +82 2 559 0400

MY – Malaysia, Shah Alam

Tel: +60 3 7849 0800

NZ – New Zealand, Mt Wellington

Tel: +64 9 574 1744

SG – Singapore

Tel: +65 6887 6300

TH – Thailand, Bangkok

Tel: +662 186 7000

TW – Taiwan, New Taipei City

Tel: +886 2 2298 8987

VN – Vietnam, Ho Chi Minh City

Tel: +84 8 3999 1600

South America

AR – Argentina, Buenos Aires

Tel: +54 3327 44 4129

BR – Brazil, Cachoeirinha RS

Tel: +55 51 3470 9144

CL – Chile, Santiago

Tel: +56 2 623 1216

MX – Mexico, Toluca

Tel: +52 72 2275 4200

EMEA Product Information Centre

Free phone: 00 800 27 27 5374

(from AT, BE, CH, CZ, DE, DK, EE, ES, FI, FR, IE, IL,
IS, IT, LU, MT, NL, NO, PL, PT, RU, SE, SK, UK, ZA)

US Product Information Centre

Toll-free number: 1-800-27 27 537

www.parker.com

