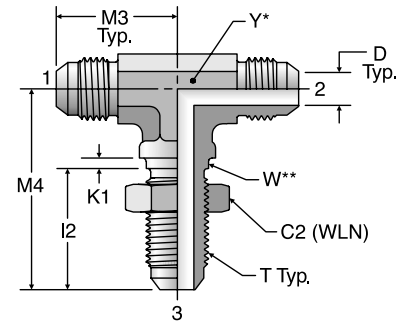


WJTX

Bulkhead Branch Tee
37° Flare (all three ends)

SAE 070959
WJTX-WLN – Body with locknut



Y* – Across wrench flats.

W** – Bulkhead pilot dia. recommended clearance hole +.015 over W dia.

TUBE FITTING PART #	HOSE FITTING PART #	END SIZE 1 - 3 (in.)	T TUBE END UN/UNF-2A	C2 HEX (in.)	D DRILL (in.)	I2 (in.)	K1 (in.)	M3 (in.)	M4 (in.)	W DIA (in.)	MAX BULKHEAD WALL THICKNESS (in.)	Y (in.)	Dynamic Pressure (x 1,000 PSI)		
													-S	-SS	-B
4 WJTX	543T-4-4N	1/4	7/16 - 20	11/16	0.172	1.02	0.09	0.97	1.59	0.44	0.25	7/16	7.5	7.7	3.3
6 WJTX	543T-6-6N	3/8	9/16 - 18	13/16	0.297	1.09	0.09	1.09	1.81	0.56	0.35	9/16	6.0	6.0	3.3
8 WJTX	543T-8-8N	1/2	3/4 - 16	1	0.391	1.25	0.13	1.36	2.11	0.75	0.35	3/4	6.0	6.0	3.3
10 WJTX	543T-10-10N	5/8	7/8 - 14	1 1/8	0.484	1.39	0.13	1.56	2.39	0.88	0.35	1 1/16	5.0	5.0	3.3
12 WJTX	543T-12-12N	3/4	1 1/16 - 12	1 3/8	0.610	1.56	0.13	1.78	2.67	1.06	0.35	1 1/16	5.0	5.0	2.9
16 WJTX	543T-16-16N	1	1 5/16 - 12	1 5/8	0.844	1.56	0.13	1.94	2.80	1.31	0.35	1 5/16	4.0	3.5	2.3
20 WJTX***	543T-20-20N	1 1/4	1 5/8 - 12	1 7/8	1.078	1.61	0.13	2.17	3.12	1.63	0.35	1 5/8	4.0	3.0	2.0

***Machined from one-piece milled bar stock.

Dimensions and pressures for reference only, subject to change.