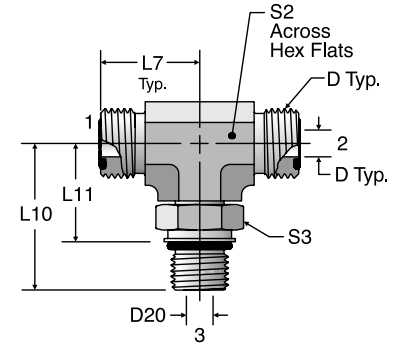


S870MLO

Metric Straight Thread Branch Tee
ORFS / ORFS / ISO 6149

ISO 8434-3 SDBT
SAE 52M0489



TUBE FITTING PART #	END SIZE			D TUBE END UN/UNF-2A	D1 DRILL (mm)	D20 DRILL (mm)	L7 (mm)	L10 (mm)	L11 AFTER ASSY (mm)	S2 (mm)	S3 HEX (mm)	Dynamic Pressure (x 1,000 PSI)	
	1 & 2		3									S	SS
	(mm)	(in.)	ISO 261										
4M12S870MLO	6	1/4	M12X1.5	9/16 - 18	4.5	4	21.5	33.0	22.0	14	17	6.0	6.0
4M14S870MLO	6	1/4	M14X1.5	9/16 - 18	4.5	6	23.5	35.5	24.5	19	19	6.0	6.0
6M14S870MLO	8,10	3/8	M14X1.5	11/16 - 16	6.5	6	25.0	35.5	24.5	19	19	6.0	6.0
6M16S870MLO	8,10	3/8	M16X1.5	11/16 - 16	6.5	7	25.0	37.5	25.0	19	22	6.0	6.0
8M14S870MLO	12	1/2	M14X1.5	13/16 - 16	9.5	6	28.0	36.0	25.0	19	19	6.0	6.0
8M18S870MLO	12	1/2	M18X1.5	13/16 - 16	9.5	9	28.0	41.0	27.0	19	24	6.0	6.0
8M22S870MLO	12	1/2	M22X1.5	13/16 - 16	9.5	12	31.0	49.0	34.0	27	27	6.0	6.0
10M22S870MLO	14,15,16	5/8	M22X1.5	1 - 14	12.5	12	33.5	49.0	34.0	27	27	6.0	6.0
12M27S870MLO	18,20	3/4	M27X2	1 3/16 - 12	15.5	15	37.5	55.5	37.0	30	32	6.0	6.0
16M33S870MLO	22,25	1	M33X2	1 7/16 - 12	20.5	20	41.5	59.5	41.0	36	41	5.1	5.1
20M42S870MLO	28,30,32	1 1/4	M42X2	1 11/16 - 12	26.0	26	44.5	63.0	44.0	41	50	4.0	4.0
24M48S870MLO	35,38	1 1/2	M48X2	2 - 12	32.0	32	49.0	71.5	50.0	50	55	4.0	4.0

All o-rings and seals are shown in [Section N](#) of this catalog.

Dimensions and pressures for reference only, subject to change.

