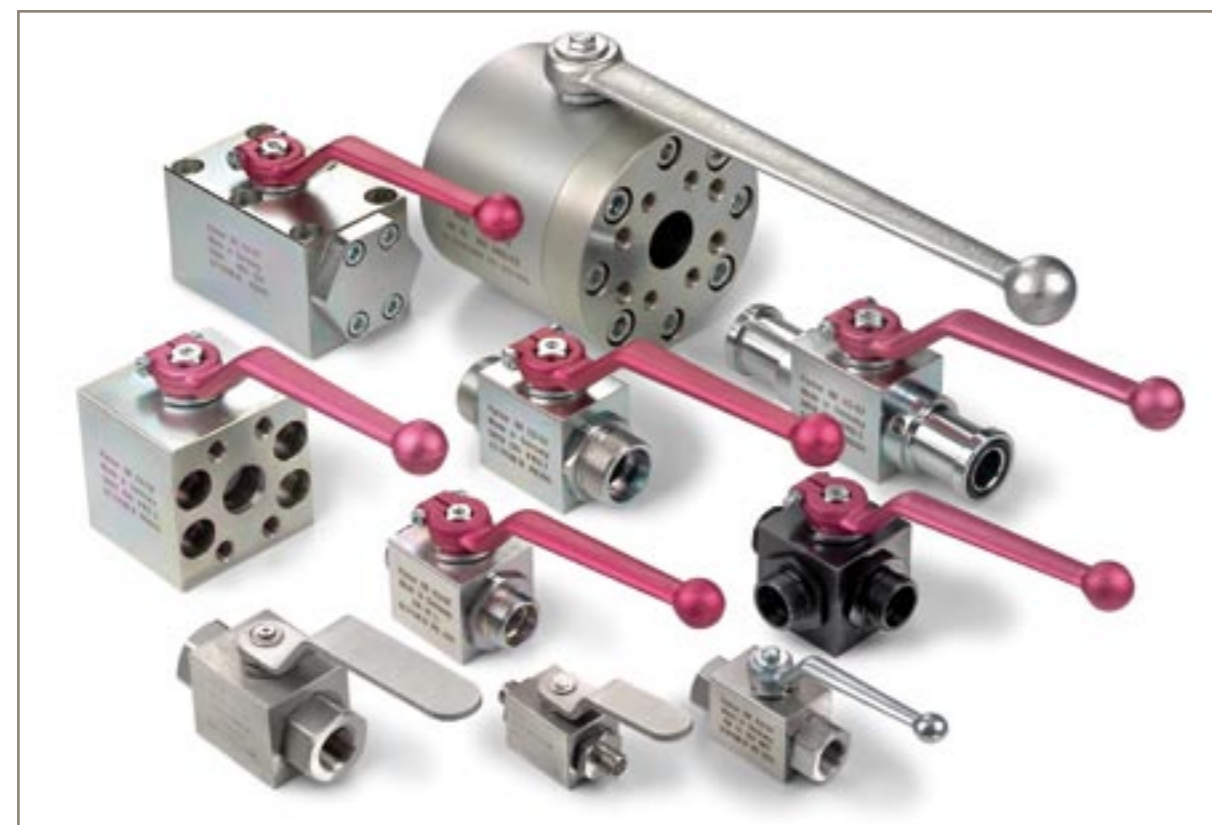


Ball valves play an important part in the product programme.

2/2- and multi-way ball valves belong to the class of cut-off valves. They interrupt or facilitate the medium flow. In addition to the product advantages which these valves bring, there is also the benefit of worldwide availability guaranteed by the Parker network of distributors.



Safety Measures

These ball valves can be optionally equipped with a locking device. This prevents unauthorised opening and shut-off. Ball valves with a resting position or fastening bore are part of the programme as well.

Optimum Values

These ball valves are very convincing when directly compared with other products. They stand for highly effective sealing, zero pressure drop and simple operation. They are especially attractive as an inexpensive alternative to quick-release couplings.

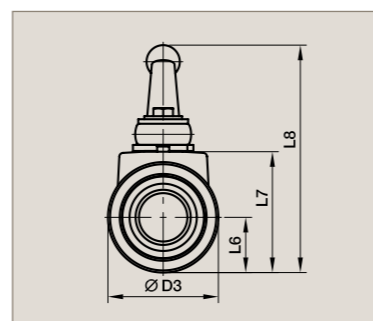
Characteristics	Ball valve	Poppet valve (spindel)	Directional control Valve
Pressure drop in bar at a flow velocity of 7 m/sec.	0.02	1.6	3.4
Leakage rate in drops/min.	0	0	approx. ca. 10 (NG10)
Time to operate in sec. (manual)	0.25	4	0.15
Relative market price (reference value 1)	1	2-2.5	3-4

A huge choice of available terminations.

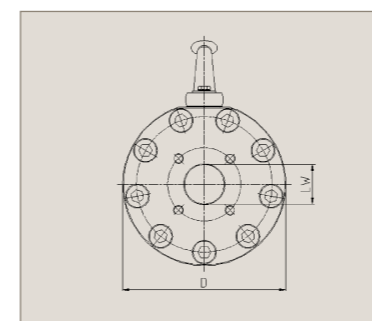
No termination has been omitted – from ISO 8434-1 24° cones through to ISO 6162-1/-2 (SAE J 518 Code 61/62) flange adaptors and on to BSPP, NPT and UNF internal threads...

Clever design and leak-free operation

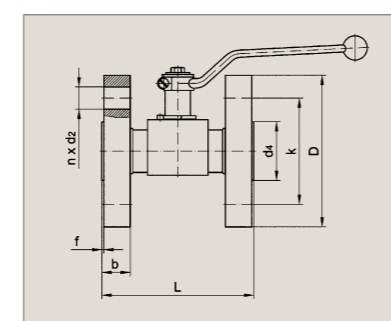
The enormous variety of possibilities is surpassed only by the clarity of the design. The ball itself is responsible for the decisive advantages – excellent sealing and easy operation. High pressure oil applications go up to PN 400 bar and air up to PN 500 bar. The adjacent drawings clearly show the variety of connection possibilities.



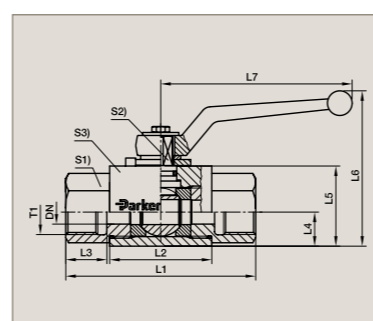
SAE flange adapter (ISO 6162-1/-2)



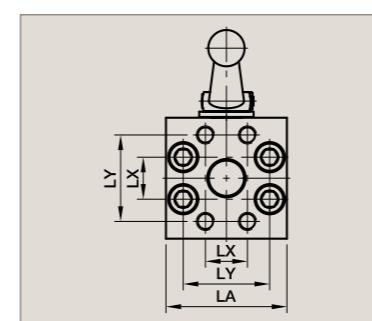
SAE flange connection (ISO 6164-1/-2)



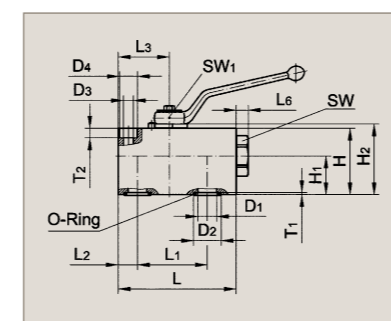
Flange connection acc. to DIN EN 1092-1



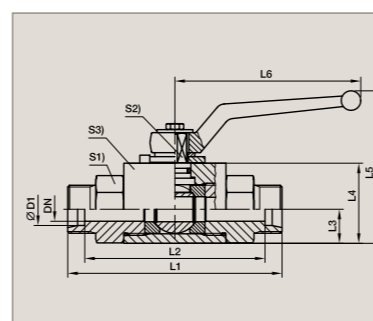
BSPP female thread (ISO 1179-1)



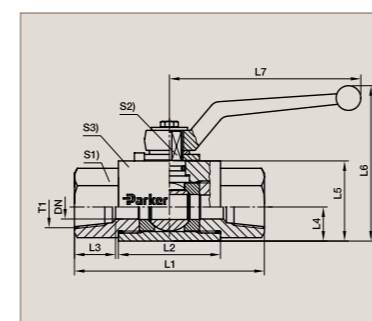
SAE flange connection (ISO 6162-1/-2)



Block ball valves



EO 24° connection



NPT female thread (SAE 476)

Benefit from all the advantages.

These valves embody not only good product design but are also backed up with certificates, Cr(VI)-free surfaces, choice of materials and complete systems from a single source.

Certified products

Consistent quality is important. The complete ball valve programme is officially approved and certified by:

- Germanischer Lloyd Approval 96 717-89 HH
- Lloyds Register of Shipping Approval 00/20020
- DNV Certificate P-11740



A choice of materials

The purpose of the application, of course, determines the material requirement. The choice of material optimises the operation. Steel, stain-less steel and aluminium are available. Also, a choice of seal materials such as NBR, PEEK, etc. can be supplied.



Cr(VI)-free surfaces

All the steel ball valves have chromated surfaces. This means that they are produced in a more environmentally-friendly manner and still have excellent corrosion protection.

Chromium-6 Free

System supplier

Parker supplies a portfolio of products exemplary both in its breadth and depth – including, of course, the appropriate fittings technology and correct tubing for the ball valves. Whether DIN or SAE, they are available throughout the world. In the Parker system all products match each other and there is nothing to hinder detailed global planning and production.

Want to know more?

We would be glad to supply further information from the contact addresses shown on the reverse and in catalogues 4100 and 4162.



Anwendungsbereiche	Materialien
Agriculture	Steel
Mobile hydraulics	Steel
Air & Gas Compressors	Steel and Stainless Steel
Offshore and Shipbuilding	Stainless Steel and Aluminium
Construction machinery	Steel
Railway Industry	Aluminium, Steel and Stainless Steel
Trucks	Aluminium, Steel and Stainless Steel
Natural Gas	Steel

A wide range of effective applications.

The application range is just as various as the family of products. But it is still the persuasive arguments which justify the use of ball valves.



Shipbuilding



Trucks

Worldwide deployment

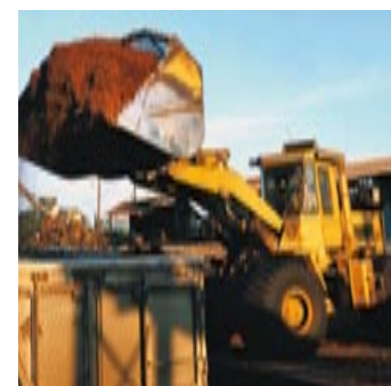
Ball valves are effective and provide mobility – the prerequisite for good cooperation. Mobility and energy act as the driving forces in almost every branch of industry – they connect the world together.



Construction



Agriculture



Mobile-Hydraulics



Railway



Gas



Offshore

Sales Offices

AE – United Arab Emirates, Abu Dhabi
Tel: +971 2 67 88 587

AR – Argentina, Buenos Aires
Tel: +54 3327 44 4129

AT – Austria, Wiener Neustadt
Tel: +43 (0)2622 23501-0

AT – Austria, Wiener Neustadt (Eastern Europe)
Tel: +43 (0)2622 23501 970

AU – Australia, Castle Hill
Tel: +61 (0)2-9634 7777

AZ – Azerbaijan, Baku
Tel: +994 50 2233 458

BE – Belgium, Nivelles
Tel: +32 (0)67 280 900

BR – Brazil, Cachoeirinha RS
Tel: +55 51 3470 9144

BY – Belarus, Minsk
Tel: +375 17 209 9399

CA – Canada, Milton, Ontario
Tel: +1 905 693 3000

CH – Switzerland
See Germany

CN – China, Shanghai
Tel: +86 21 5031 2525

CN – China, Beijing
Tel: +86 10 6561 0520

CZ – Czech Republic, Klecany
Tel: +420 284 083 111

DE – Germany, Kaarst
Tel: +49 (0)2131 4016 0

DK – Denmark, Ballerup
Tel: +45 43 56 04 00

ES – Spain, Madrid
Tel: +34 902 33 00 01

FI – Finland, Vantaa
Tel: +358 (0)20 753 2500

FR – France, Contamine-sur-Arve
Tel: +33 (0)4 50 25 80 25

GR – Greece, Athens
Tel: +30 210 933 6450

HK – Hong Kong
Tel: +852 2428 8008

HU – Hungary, Budapest
Tel: +36 1 220 4155

IE – Ireland, Dublin
Tel: +353 (0)1 466 6370

IN – India, Mumbai
Tel: +91 22 6513 7081-85

IT – Italy, Corsico (MI)
Tel: +39 02 45 19 21

JP – Japan, Fujisawa
Tel: +(81) 4 6635 3050

KR – South Korea, Seoul
Tel: +82 2 559 0400

KZ – Kazakhstan, Almaty
Tel: +7 3272 505 800

LV – Latvia, Riga
Tel: +371 74 52601

MX – Mexico, Apodaca
Tel: +52 81 8156 6000

MY – Malaysia, Subang Jaya
Tel: +60 3 5638 1476

NL – The Netherlands, Oldenzaal
Tel: +31 (0)541 585 000

NO – Norway, Ski
Tel: +47 64 91 10 00

NZ – New Zealand, Mt Wellington
Tel: +64 9 574 1744

PL – Poland, Warsaw
Tel: +48 (0)22 573 24 00

PT – Portugal, Leca da Palmeira
Tel: +351 22 999 7360

RO – Romania, Bucharest
Tel: +40 21 252 1382

RU – Russia, Moscow
Tel: +7 495 645-2156

SE – Sweden, Spånga
Tel: +46 (0)8 59 79 50 00

SG – Singapore
Tel: +65 6887 6300

SL – Slovenia, Novo Mesto
Tel: +386 7 337 6650

SK – Slovakia
See Czech Republic

TH – Thailand, Bangkok
Tel: +662 717 8140

TR – Turkey, Merter/Istanbul
Tel: +90 212 482 91 06 or 07

TW – Taiwan, Taipei
Tel: +886 2 2298 8987

UA – Ukraine, Kyiv
Tel: +380 44 494 2731

UK – United Kingdom, Warwick
Tel: +44 (0)1926 317 878

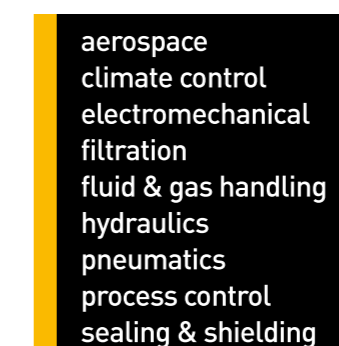
US – USA, Cleveland (Industrial)
Tel: +1 216 896 3000

US – USA, Lincolnshire (Mobile)
Tel: +1 847 821 1500

US – USA, Miami (Pan American Division)
Tel: +1 305 470 8800

VE – Venezuela, Caracas
Tel: +58 212 238 5422

ZA – South Africa, Kempton Park
Tel: +27 (0)11 961 0700



2/2- and Multi-way Ball Valves



Edition: October 2007 / BUL/4108-1/UK
K-Konzept / Plantijn Casparie



Your local authorized Parker distributor



ENGINEERING YOUR SUCCESS.