

# Refrigeration Controller for Low Temperatures

PSK233N5EXBS

PSK233N7EXBS



## Key Features:

- The PSK233 controller manages low temperature refrigeration units by controlling a compressor, defrost (electric or hot gas) and evaporator fans
- Three digital outputs (relay):
  - (1) 30A compressor  
1HP @ 120VAC  
2HP @ 230VAC
  - (2) 5A evaporator fan
  - (3) 8A defrost solenoid or switch
- Alarm Buzzer, TTL serial port (RS485 Modbus®)
- 2 NTC/PTC temperature sensor inputs
- 1 door switch input
- IP65 front panel protection
- 3-1/2 digit display shows decimal point values (in Celsius mode) at -10.0° and below
- Easy to understand multicolor display icons
- Front bezel size:  
2.95" x 1.3" (75 x 33 mm)
- Panel cut out:  
2.79" x 1.14" (71 x 29 mm)
- Power supply:  
(N5) 120VAC 50/60 Hz  
(N7) 230VAC 50/60 Hz



PSK233

## Product Overview:

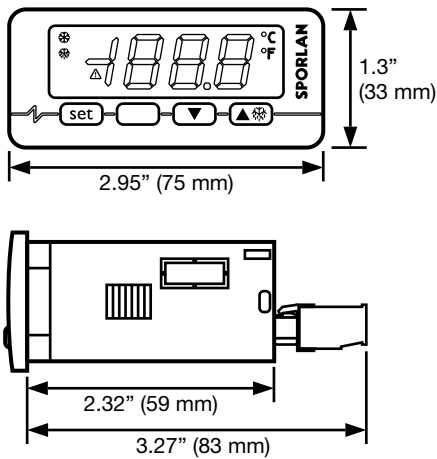
With a high capacity compressor relay, the PSK233 offers a digital controller solution for large compressor (up to 2 HP) low/medium temperature display cases and freezers. The PSK233 provides direct compressor control, time- or temperature-terminated defrost control, and

evaporator fan control. Other features include an auxiliary digital input (as a door switch or to trigger energy saving mode), programmable temperature alarms, and a serial communications port for easy setup and system networking.

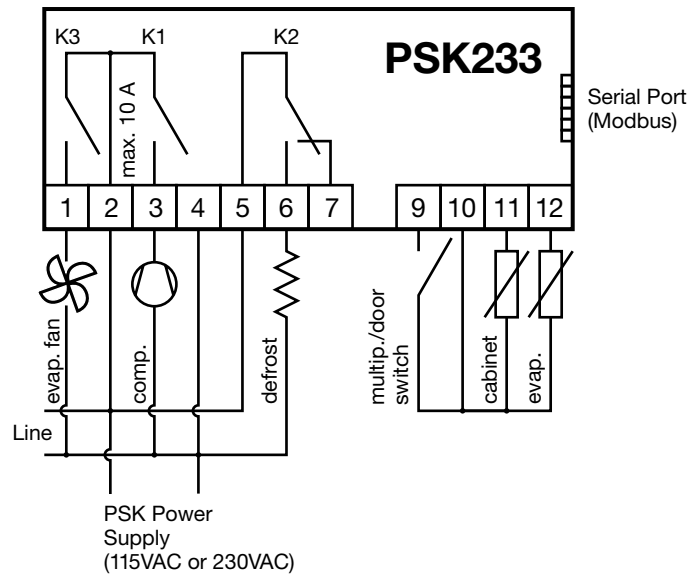


ENGINEERING YOUR SUCCESS.

## Dimensions:



## Electrical Connections:



## Accessories:

<b>NTC Temperature Probe</b> Item Number: 952899 5 ft. (1.5 m) Item Number: 952898 10 ft. (3 m)	
<b>Programming Key</b> Item Number: PSKey	
<b>Power Supply</b> Item Number: PPS01	
<b>Adaptor - TTL to RS485</b> Item Number: PSIF20TSX	

## Component Diagram:

