

# Refrigeration Controller for Low Temperatures

PSK204N9



## Key Features:

- The PSK204 controller manages low temperature refrigeration units by controlling a compressor, defrost (electric or hot gas) and evaporator fans
- Four digital outputs (relay):
  - (1) 16A compressor  
1/2HP @ 120VAC  
1-1/2HP @ 230VAC
  - (2) 8A evaporator fan
  - (3) 8A defrost solenoid or switch
  - (4) 8A multipurpose
- 2 NTC/PTC temperature sensor inputs
- 1 door switch input
- 1 multipurpose input (configure as digital input or temperature sensor)
- IP65 front panel protection
- HACCP compliant
- 3-1/2 digit display shows decimal point values (in Celsius mode) at -10.0° and below
- Easy to understand multicolor display icons
- Front bezel size:  
2.95" x 1.3" (75 x 33 mm)
- Panel cut out:  
2.79" x 1.14" (71 x 29 mm)
- Power supply:  
115 - 230VAC 50/60 Hz



PSK204

## Product Overview:

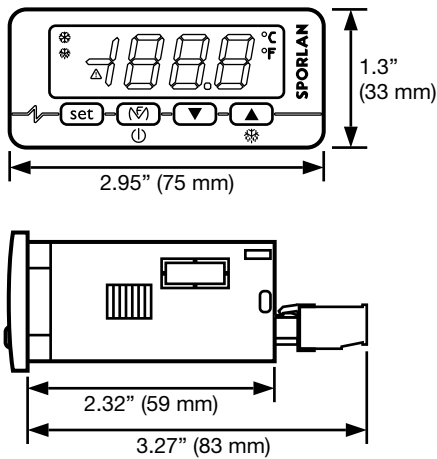
The PSK204 increases functionality with the addition of a fourth input and fourth relay output, to offer complete unit management in a compact digital controller. The fourth output can be configured to control a cabinet light, a second compressor, an external

alarm, door element, or more. The PSK204 also features HACCP compliant data logging, compressor protection (with multipurpose input connected to a condenser temperature sensor), and an energy saving mode.

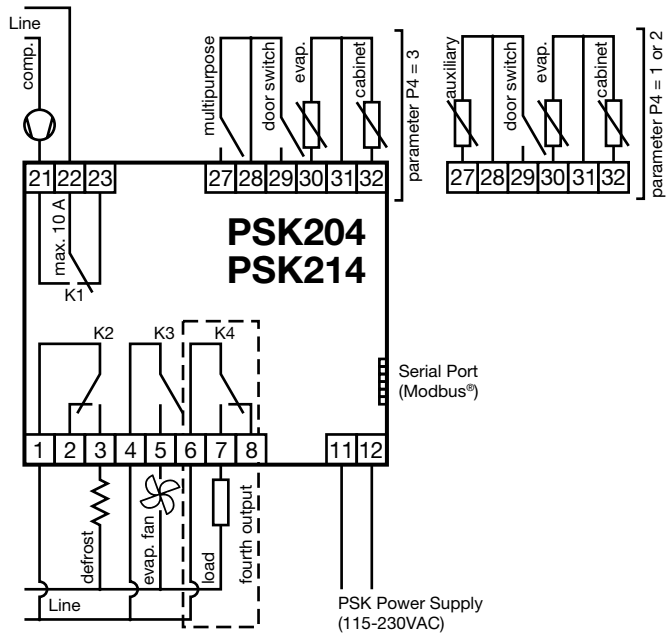


ENGINEERING YOUR SUCCESS.

## Dimensions:



## Electrical Connections:



## Accessories:

<b>NTC Temperature Probe</b> Item Number: 952899 5 ft. (1.5 m) Item Number: 952898 10 ft. (3 m)	
<b>Programming Key</b> Item Number: PSKey	
<b>Power Supply</b> Item Number: PPS01	
<b>Adaptor - TTL to RS485</b> Item Number: PSIF20TSX	

## Component Diagram:

