

Refrigeration Controller for Low Temperatures

PSK223N5EXBS
PSK223N7EXBS



Key Features:

- The PSK223 controller manages low temperature refrigeration units by controlling a compressor, defrost (electric or hot gas) and evaporator fans
- Three digital outputs (relay):
 - (1) 8A compressor
1/3HP @ 120VAC
1/2HP @ 230VAC
 - (2) 5A evaporator fan
 - (3) 8A defrost solenoid or switch
- Alarm buzzer and TTL serial port (RS485 Modbus®)
- 2 NTC/PTC temperature sensor inputs
- 1 door switch input
- IP65 front panel protection
- 3-1/2 digit display shows decimal point values (in Celsius mode) at -10.0° and below
- Extractable screw terminal connections for easy installation
- Front bezel size:
2.95" x 1.3" (75 x 33 mm)
- Panel cut out:
2.79" x 1.14" (71 x 29 mm)
- Power supply:
(N5) 120VAC 50/60 Hz
(N7) 230VAC 50/60 Hz



PSK223

Product Overview:

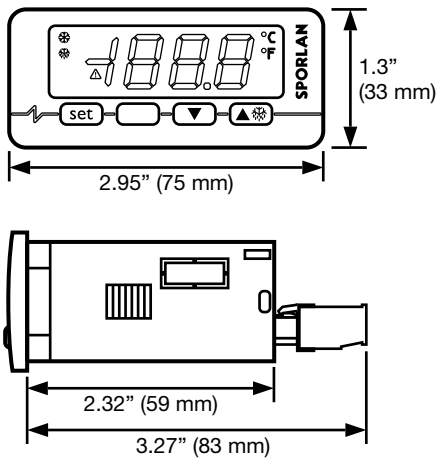
The PSK223 offers a digital controller solution for low/medium temperature display cases and freezers. Based upon temperature inputs from cabinet and evaporator sensors, the PSK223 provides direct compressor control, time- or temperature-terminated defrost

control, and evaporator fan control. Other features include an auxiliary digital input (as a door switch or to trigger energy saving mode), programmable temperature alarms, and a serial communications port for easy setup and system networking.

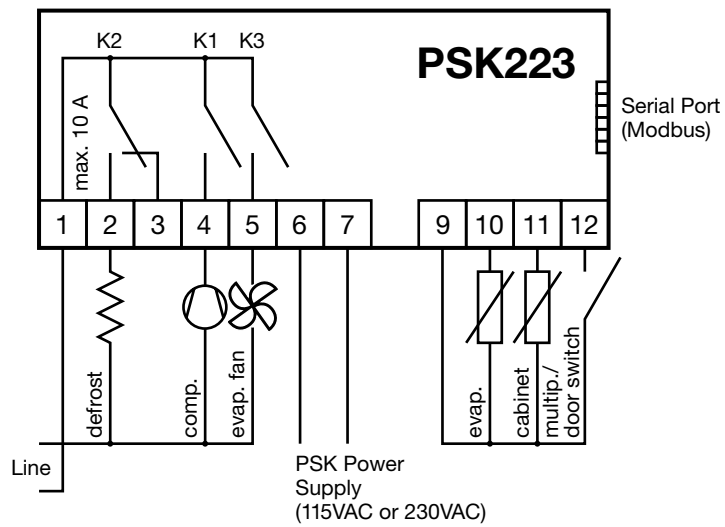


ENGINEERING YOUR SUCCESS.

Dimensions:



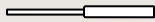
Electrical Connections:



Accessories:

NTC Temperature Probe

Item Number: 952899
5 ft. (1.5 m)
Item Number: 952898
10 ft. (3 m)



Programming Key

Item Number: PSKey



Power Supply

Item Number: PPS01

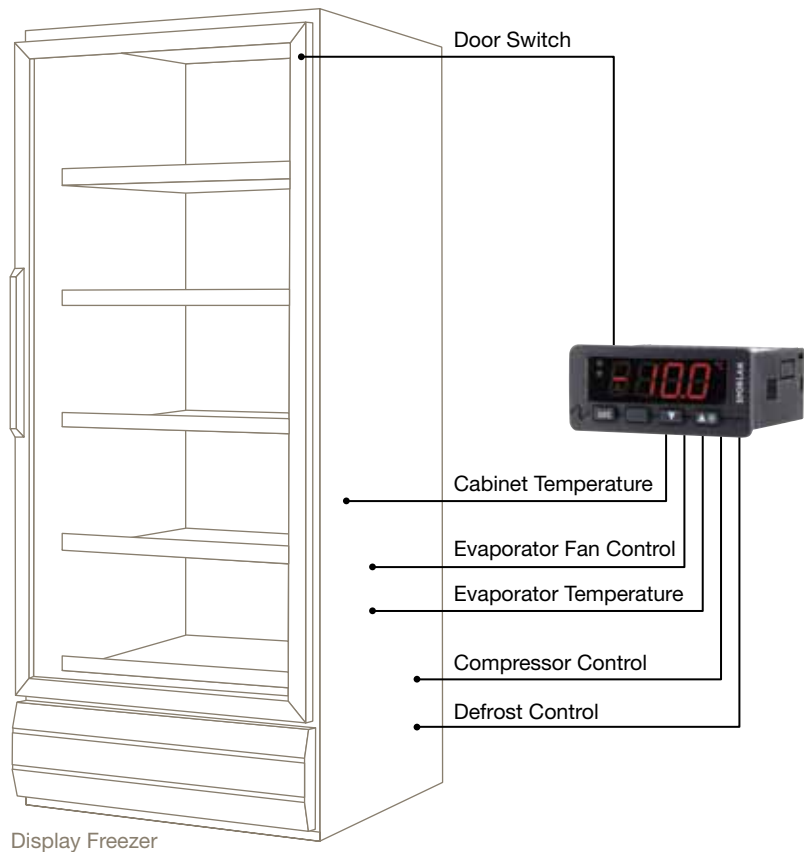


Adaptor - TTL to RS485

Item Number: PSIF20TSX



Component Diagram:



Parker Hannifin Corporation

Sporlan Division

206 Lange Drive • Washington, MO 63090 USA

phone 636 239 1111

fax 636 239 9130

www.sporlan.com