

# Refrigeration Controller for Low Temperatures

PSK203N5

PSK203N7



## Key Features:

- The PSK203 controller manages low temperature refrigeration units by controlling a compressor, defrost (electric or hot gas) and evaporator fans
- Three digital outputs (relay):
  - (1) 16A compressor  
1/2HP @ 120VAC  
1-1/2HP @ 230VAC
  - (2) 8A evaporator fan
  - (3) 8A defrost solenoid or switch
- 2 NTC/PTC temperature sensor inputs
- IP65 front panel protection
- 3-1/2 digit display shows decimal point values (in Celsius mode) at -10.0° and below
- Easy to understand multicolor display icons
- Screw terminal connections
- Front bezel size:  
2.95" x 1.3" (75 x 33 mm)
- Panel cut out:  
2.79" x 1.14" (71 x 29 mm)
- Power supply:  
(N5) 120VAC 50/60 Hz  
(N7) 230VAC 50/60 Hz



PSK203

## Product Overview:

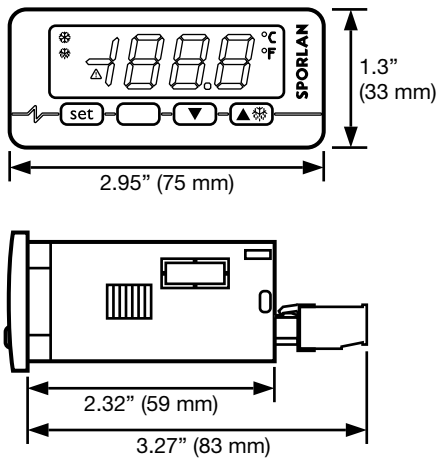
The PSK203 offers a simple digital controller solution for low/medium temperature display cases and freezers. Based upon temperature inputs from cabinet and evaporator sensors, the PSK203 provides direct compressor control, time- or temperature-terminated defrost

control, and evaporator fan control. While Sporlan offers several NTC temperature sensors (see Accessories, next page), all PSK models are also compatible with PTC sensors for easy installation in existing systems.

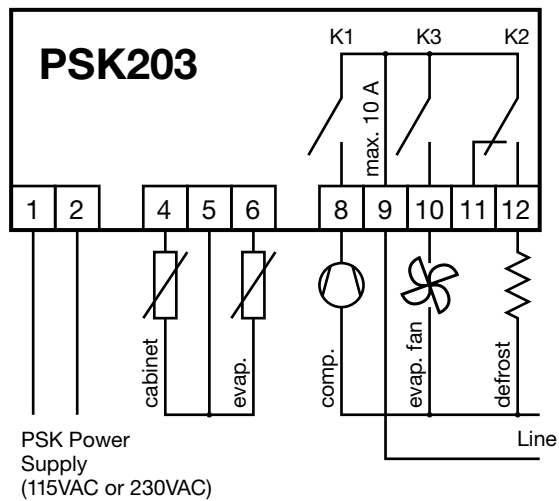


ENGINEERING YOUR SUCCESS.

## Dimensions:



## Electrical Connections:



## Accessories:

<b>NTC Temperature Probe</b> Item Number: 952899 5 ft. (1.5 m) Item Number: 952898 10 ft. (3 m)	
<b>Programming Key</b> Item Number: PSKey	
<b>Power Supply</b> Item Number: PSPS01	
<b>Adaptor - TTL to RS485</b> Item Number: PSIF20TSX	

## Component Diagram:

