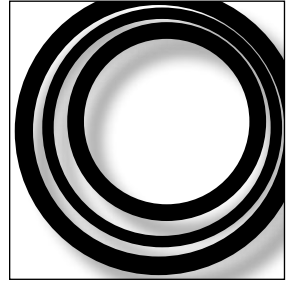


K-OL-Seal-Kit

INSTALLATION INSTRUCTIONS
SD-382



ADAPTOR SEAL REQUIREMENTS

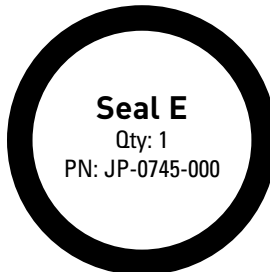
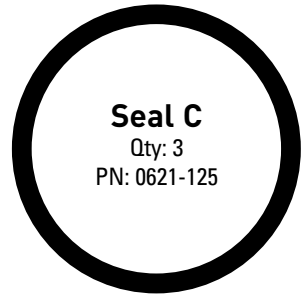
Use the chart on page 4 to determine adaptor kit based on compressor manufacturer.

ADAPTOR	SEALS					
	A	B	C	D	E	F
AOL-A	-	1	2	1	-	-
AOL-C	-	-	2	1	1	-
AOL-K-1	-	-	2	1	-	-
AOL-MA/TE	1*	-	2	1	-	1**
AOL-R	-	-	3	1	-	-
AOL-R-1	-	-	3	1	-	-

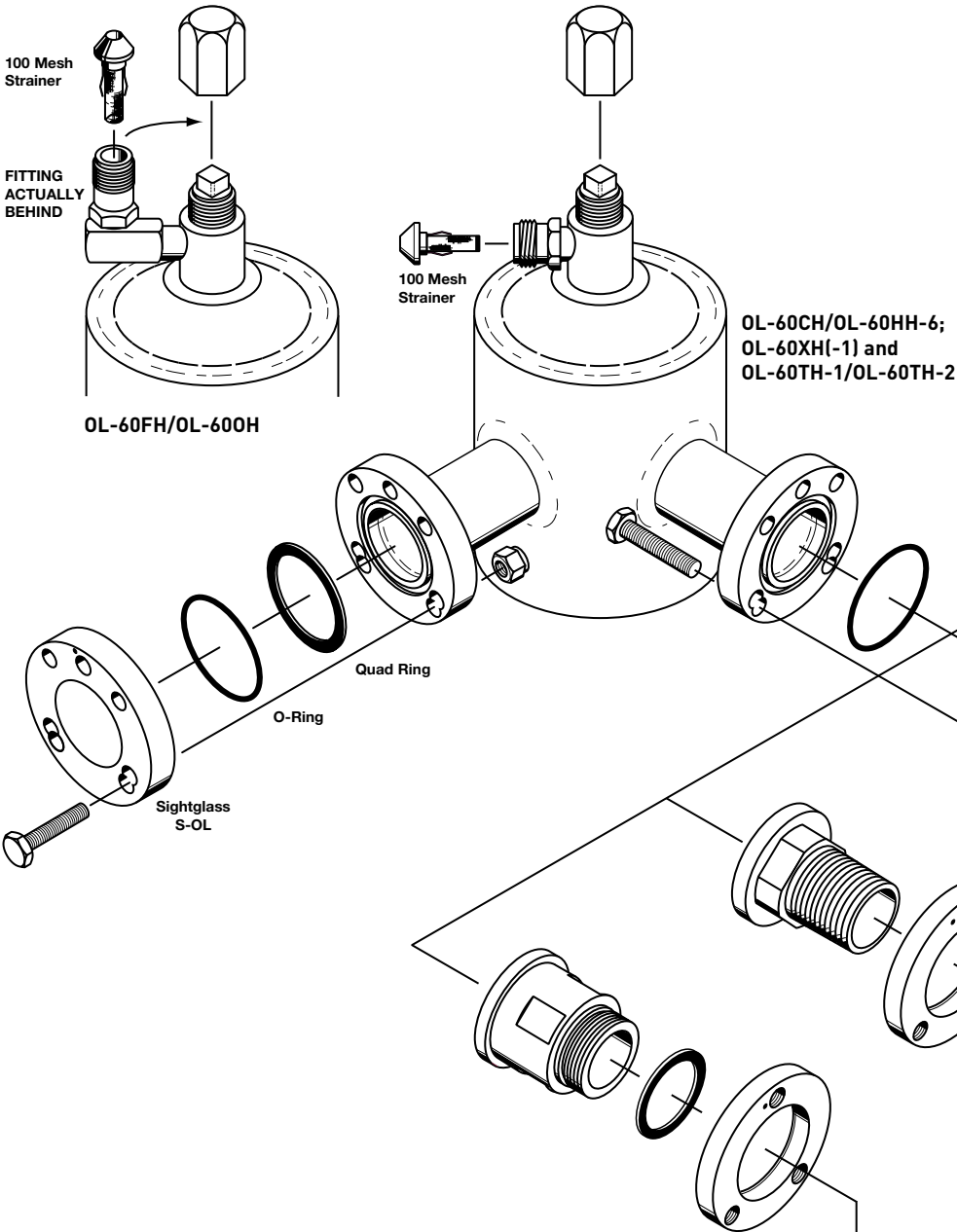
* Use seal A on Tecumseh compressors

** Use seal F on Maneurop compressors

NOTE: When using OL-60HH-6, use only (1) C seal.



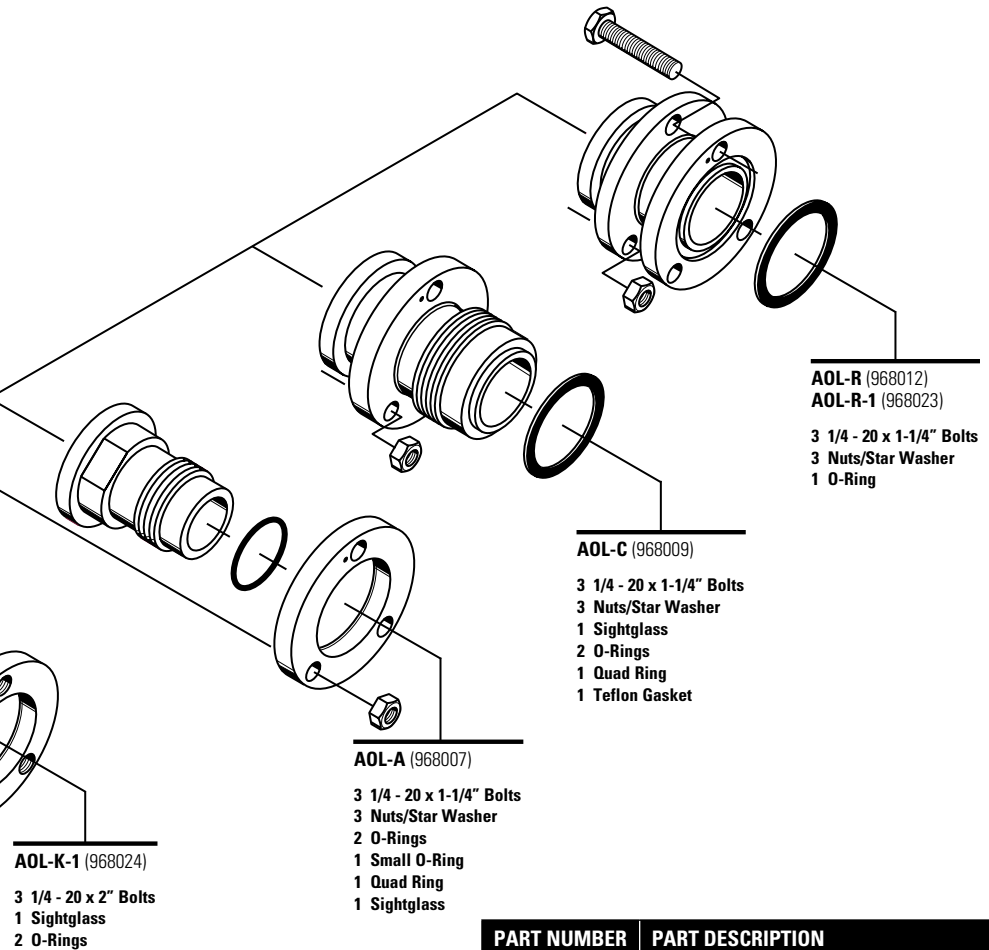
OIL LEVEL CONTROL ADAPTOR KITS



AOL-MA/TE (968026)

- 3 1/4 - 20 x 2" Bolts
- 1 Sightglass
- 2 O-Rings
- 1 Teflon Gasket
- 1 Compressor O-Ring

NOTE: Mechanical oil level control not recommended for scroll compressors.



PART NUMBER	PART DESCRIPTION
JP-1218-001	Sightglass Cap Screws 1/4 - 20 x 1
JP-1215-000	Inlet Screen Assembly
S-OL	Sightglass, plate
K-OL-Parts-Kit (968031)	(2) JP-1222-000 Quad Ring (2) 0621-125 O-ring (4) JP-1218-001 1/4 - 20 x 1 Cap Screws (4) JP-1223-000 1/4 - 20 Locknuts
K-OL-Seal-Kit (968029)	See page 1 for components.

COMPRESSOR ADAPTOR SPECIFICATIONS

Use the chart below to determine adaptor kit based on compressor manufacturer.

COMPRESSOR MANUFACTURER	COMPRESSOR MODEL NUMBER	COMPRESSOR ATTACHMENT PATTERN	SPORLAN ADAPTOR KIT NUMBER	SEALING METHOD	SIGHTGLASS
Bitzer	2KC, 2JC, 2HC, 2GC, 2 FC, 2EC, 2DC, 2CC, 4FC, 4EC, 4DC, 4CC	1-1/8" Thread	AOL-MA/TE	Use seal provided	Use sightglass provided with adaptor
	4VC, 4TC, 4PC, 4NC	3 Bolt, 1-7/8" B.C. (47.6 mm B.C.)	None	Use seal provided	Use sightglass from compressor
	4J, 4H, 4G, 6J, 6H, 6G, 6F	4 Bolt, 50 mm B.C.	None	Use seal provided with control	Use sightglass from compressor
	8GC, 8FC	3 Bolt, 1-7/8" B.C. (47.6 mm B.C.)	AOL-R-1	Use seal provided	Use sightglass from compressor
Bock	F...	3 Bolt, 1-7/8" B.C. (47.6 mm B.C.)	AOL-R-1	Use seal provided	Use sightglass from compressor
Carrier	06EA, 06ER	3 Bolt, 1-7/8" B.C. (47.6 mm B.C.)	AOL-R-1	Use seal provided	Use sightglass from compressor
	06DA, 06DR, 5F, 5H	1-1/2" – 18 Thread	AOL-C		Use sightglass provided with adaptor
Copeland	Over 5 Ton	3 Bolt, 1-7/8" B.C. (47.6 mm B.C.)	AOL-R-1	Use seal provided	Use sightglass from compressor
	Under 5 HP W Q	1-1/8" – 12 Thread	AOL-A	Use seal from compressor	Use sightglass provided with adaptor
	8R, 3D Front, 2D, 4D, 6D	3 Bolt, 1-7/8" B.C. (47.6 mm B.C.)	AOL-R-1	Use seal provided	Use sightglass from compressor
	8D	3 Bolt, 1-7/8" B.C. (47.6 mm B.C.)	Use control with standard length arms with AOL-R-1 adaptor. Use sightglass from compressor.		
Dorin	4 cyc-15 HP	3 Bolt, 1-7/8" B.C. (47.6 mm B.C.)	Contact Sporlan		
Dunham-Bush	Big 4	3 Bolt, 1-7/8" B.C. (47.6 mm B.C.)	AOL-R-1	Use seal provided	Use sightglass from compressor
Frascold	All models	3 Bolt, 1-7/8" B.C. (47.6 mm B.C.)	AOL-R-1	Use seal provided	Use sightglass from compressor
Maneurop	MT..., LT...	1-1/8" – 18 Thread	AOL-MA/TE	Use seal provided	Use sightglass provided with adaptor
Tecumseh	P, R, S, PA, RA, SA, CK, CM, CH, CG	1-1/8" – 12 Thread	AOL-A	Use seal from compressor	Use sightglass provided with adaptor
	—	1-1/8" – 18 Thread	AOL-MA/TE	Use seal provided	
Trane	M, R	3 Bolt, 1-7/8" B.C. (47.6 mm B.C.)	AOL-R-1	Use seal provided	Use sightglass from compressor
	K	3/4" NPT	AOL-K-1	Use Teflon tape	Use sightglass provided with adaptor
York	GC, GS, JS	3 Bolt, 1-7/8" B.C. (47.6 mm B.C.)	AOL-R-1	Use seal provided	Use sightglass from compressor

