

EEV with Serviceable Inlet Strainer

Type SSER-AA, -A, -B & -C

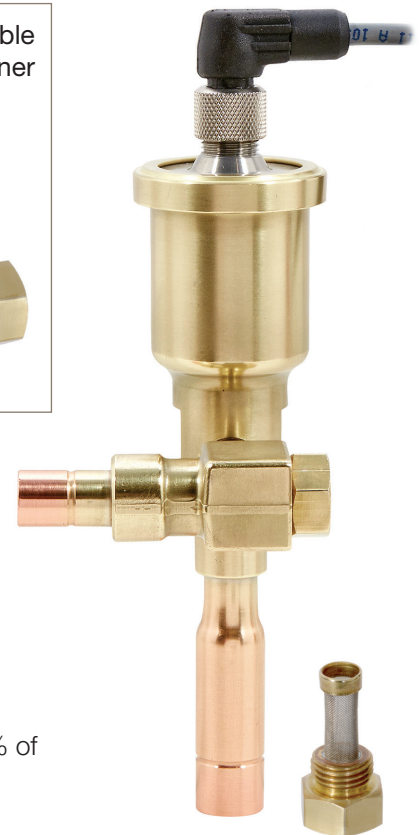
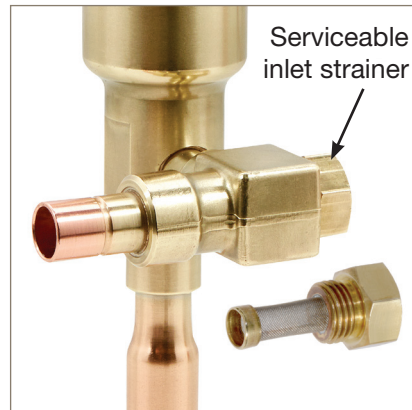


Features

The **SSER valve** has a **serviceable inlet strainer** and builds on the current SER valve family. The SSER is available in port sizes -AA through -C and is approved for HFC and subcritical CO₂ refrigerant systems as an electric expansion valve. The SSER valves have a maximum rated pressure (MRP) of 70 bar (1015 psig). The SSER models have a maximum operating pressure differential (MOPD) of 40 bar (580 psid).

With advanced pin and port geometries and precision machined components, these bi-flow valves provide unmatched resolution under the lightest load conditions. The SSER has 2500 steps of resolution for precise flow control.

The SSER has the same robust design, corrosion resistance and mounting flexibility for which the SER valve has become known. The SSER valves have a removable M12 style cable that is IP67 rated.



Benefits

- Serviceable Inlet Strainer
- -AA through -C Port Sizes
- 2500 Steps of Resolution
- Reliable Performance
- Precise Control Down to 10% of Rated Capacity
- Removable M12 Style Cable

Nomenclature

S	SER	-	C	3/8"	x	1/2"	ODF	-	10'	-	S
Serviceable Strainer	Valve Family		Model	Inlet Fitting Size		Outlet Fitting Size	Fitting Type		Cable Length		Stripped and Tinned Cable Ends



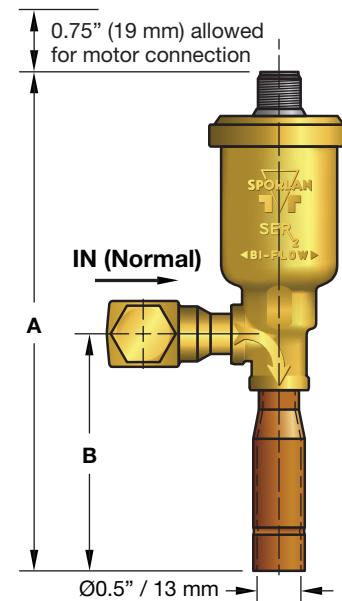
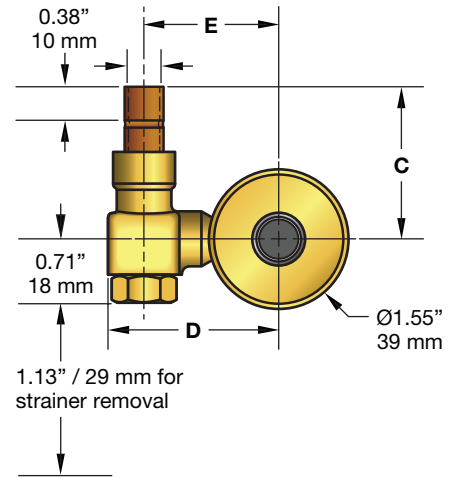
ENGINEERING YOUR SUCCESS.

Dimensions

Valve Type	Dimensions - Inches (mm)				
	A	B	C	D	E
SSER-AA	5.9 (150)	2.98 (76)	1.70 (43)	1.79 (45)	1.39 (35)
SSER-A	5.9 (150)	2.98 (76)	1.70 (43)	1.79 (45)	1.39 (35)
SSER-B	5.5 (140)	2.63 (69)	1.70 (43)	1.90 (48)	1.50 (38)
SSER-C	5.5 (140)	2.63 (69)	1.70 (43)	1.90 (48)	1.50 (38)

Capacities

See Bulletin 100-20 and 100-20-1 for SER Valve Capacity Charts.



⚠ WARNING – USER RESPONSIBILITY

Failure or improper selection or improper use of the products described herein or related items can cause death, personal injury and property damage.

This document and other information from Parker Hannifin Corporation, its subsidiaries and authorized distributors provide product or system options for further investigation by users having technical expertise.

The user, through its own analysis and testing, is solely responsible for making the final selection of the system and components and assuring that all performance, endurance, maintenance, safety and warning requirements of the application are met. The user must analyze all aspects of the application, follow applicable industry standards, and follow the information concerning the product in the current product catalog and in any other materials provided from Parker or its subsidiaries or authorized distributors.

To the extent that Parker or its subsidiaries or authorized distributors provide component or system options based upon data or specifications provided by the user, the user is responsible for determining that such data and specifications are suitable and sufficient for all applications and reasonably foreseeable uses of the components or systems.



Parker Hannifin Corporation
Sporlan Division
 206 Lange Drive • Washington, MO 63090 USA
 phone 636 239 1111
 fax 636 239 9130
 www.sporlan.com