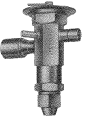


# Q COMPONENTS CROSS REFERENCE



FROM STANDARD SPORLAN VALVES

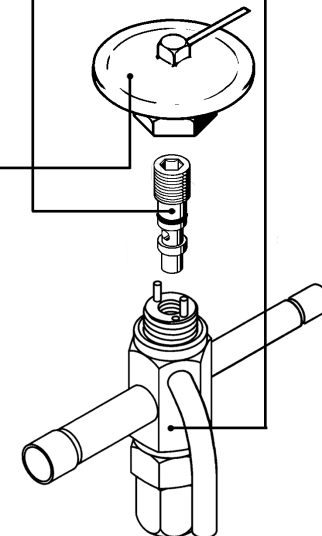
SPORLAN VALVE BODY TYPE	STANDARD SPORLAN VALVE DESCRIPTION AND NOMINAL CAPACITY STAMPED ON VALVE BODY								Q CARTRIDGE		Q BODY
	REFRIGERANT - (Sporlan Code)								SIZE	COLOR CODE	
	12, 409A (F)	134a (J)	401A (X)	22, 407A, 407C (V)	404A (S)	502, 408A (R)	402A (L)	507 (P)			
 Type S	—	—	—	SV-2	—	—	—	—	QC-4	PINK	EQ BODY 3/8 X 1/2 ODF
	SF-2	SJ-2	SX-2	SV-3	SS-2	SR-2	SL-2	SP-2	QC-5	BLACK	
	SF-2-1/2	SJ-2-1/2	SX-2-1/2	SV-4	SS-3	SR-3	SL-3	SP-3	QC-6	WHITE	
	SF-3	SJ-3	SX-3	SV-5	—	—	—	—	QC-6	WHITE	EQE BODY 1/2 X 5/8 ODF
	—	—	—	SVE-2	—	—	—	—	QC-4	PINK	
	SFE-2	SJE-2	SXE-2	SVE-3	SSE-2	SRE-2	SLE-2	SPE-2	QC-5	BLACK	
	SFE-2-1/2	SJE-2-1/2	SXE-2-1/2	SVE-4	SSE-3	SRE-3	SLE-3	SPE-3	QC-6	WHITE	EQE BODY 1/2 X 7/8 ODF
	SFE-3	SJE-3	SXE-3	SVE-5	—	—	—	—	QC-6	WHITE	


VALVE APPLICATION	12, 409A (F)	134a (J)	401A (X)	22, 407A, 407C (V)	404A (S)	502, 408A (R)	402A (L)	507 (P)
Air Conditioning*	KT43-FCP60	KT43-FCP60		KT43-VCP100	KT43-RCP115			—
	KT43-JCP60	KT43-JCP60		KT43-VGA	KT43-SCP115			—
	KT43-XCP60	KT43-XCP60		—	—			—
Commercial Refrigeration 50°F to -10°F	KT43-FC	KT43-FC		KT43-VC	KT43-RC		KT43-LC	
	KT43-JC	KT43-JC		—	KT43-SC		KT43-PC	
	KT43-XC	KT43-XC		—	—		—	
Low Temperature Refrigeration 0°F to -40°F	KT43-FZ	—		KT43-VZ	KT43-RZ		KT43-RZ	
	KT43-FZP	—		KT43-VZP40	KT43-SZ		KT43-SZ	
	—	—		—	KT43-LZ		KT43-LZ	
	—	—		—	KT43-PZ		KT43-PZ	
	—	—		—	KT43-RZP		KT43-RZP	
	—	—		—	KT43-SZP		KT43-SZP	
	—	—		—	KT43-LZP		KT43-LZP	
—	—		—	KT43-PZP		KT43-PZP		

### Q VALVE THERMOSTATIC ELEMENTS

Where multiple thermostatic elements are shown for a given application and refrigerant, any of the elements may be used.

\* For Externally Equalized Valves Only.



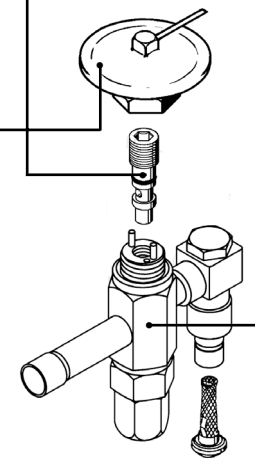
SPORLAN VALVE BODY TYPE	STANDARD SPORLAN VALVE DESCRIPTION AND NOMINAL CAPACITY STAMPED ON VALVE BODY								Q CARTRIDGE		Q BODY
	REFRIGERANT - (Sporlan Code)								SIZE	COLOR CODE	
	12, 409A (F)	134a (J)	401A (X)	22, 407A, 407C (V)	404A (S)	502, 408A (R)	402A (L)	507 (P)			
 <p>Type EG</p>	—	—	—	EGV-1/5	—	—	—	—	QC-0	RED	SQ BODY 3/8 X 1/2 ODF
	EGF-1/8	EGJ-1/8	EGX-1/8	EGV-1/4	EGS-1/8	EGR-1/8	EGL-1/8	EGP-1/8	QC-0	RED	
	EGF-1/6	EGJ-1/6	EGX-1/6	EGV-1/3	EGS-1/6	EGR-1/6	EGL-1/6	EGP-1/6	QC-0	RED	
	—	—	—	EGV-1/2	—	—	—	—	QC-1	YELLOW	
	EGF-1/4	EGJ-1/4	EGX-1/4	EGV-3/4	EGS-1/4	EGR-1/4	EGL-1/4	EGP-1/4	QC-1	YELLOW	
	EGF-1/2	EGJ-1/2	EGX-1/2	EGV-1	EGS-1/2	EGR-1/2	EGL-1/2	EGP-1/2	QC-2	GREEN	
	EGF-1	EGJ-1	EGX-1	EGV-1-1/2	EGS-1	EGR-1	EGL-1	EGP-1	QC-3	BLUE	SQE BODY 3/8 X 1/2 ODF
	EGF-1-1/2	EGJ-1-1/2	EGX-1-1/2	EGV-2-1/2	EGS-1-1/2	EGR-1-1/2	EGL-1-1/2	EGP-1-1/2	QC-4	PINK	
	—	—	—	EGVE-1/5	—	—	—	—	QC-0	RED	
	EGFE-1/8	EGJE-1/8	EGXE-1/8	EGVE-1/4	EGSE-1/8	EGRE-1/8	EGLE-1/8	EGPE-1/8	QC-0	RED	
	EGFE-1/6	EGJE-1/6	EGXE-1/6	EGVE-1/3	EGSE-1/6	EGRE-1/6	EGLE-1/6	EGPE-1/6	QC-0	RED	
	—	—	—	EGVE-1/2	—	—	—	—	QC-1	YELLOW	
	EGFE-1/4	EGJE-1/4	EGXE-1/4	EGVE-3/4	EGSE-1/4	EGRE-1/4	EGLE-1/4	EGPE-1/4	QC-1	YELLOW	
	EGFE-1/2	EGJE-1/2	EGXE-1/2	EGVE-1	EGSE-1/2	EGRE-1/2	EGLE-1/2	EGPE-1/2	QC-2	GREEN	
	EGFE-1	EGJE-1	EGXE-1	EGVE-1-1/2	EGSE-1	EGRE-1	EGLE-1	EGPE-1	QC-3	BLUE	
	EGFE-1-1/2	EGJE-1-1/2	EGXE-1-1/2	EGVE-2	EGSE-1-1/2	EGRE-1-1/2	EGLE-1-1/2	EGPE-1-1/2	QC-4	PINK	
EGFE-2	EGJE-2	EGXE-2	EGVE-3	EGSE-2	EGRE-2	EGLE-2	EGPE-2	QC-5	BLACK		

VALVE APPLICATION	12, 409A (F)	134a (J)	401A (X)	22, 407A, 407C (V)	404A (S)	502, 408A (R)	402A (L)	507 (P)
Air Conditioning*	KT43-FCP60	KT43-FCP60	—	KT43-VCP100	KT43-RCP115	—	—	—
	KT43-JCP60	KT43-JCP60	—	KT43-VGA	KT43-SCP115	—	—	—
	KT43-XCP60	KT43-XCP60	—	—	—	—	—	—
Commercial Refrigeration 50°F to -10°F	KT43-FC	KT43-FC	—	KT43-VC	KT43-RC	—	KT43-LC	—
	KT43-JC	KT43-JC	—	—	KT43-SC	—	KT43-PC	—
	KT43-XC	KT43-XC	—	—	—	—	—	—
Low Temperature Refrigeration 0°F to -40°F	KT43-FZ	—	—	KT43-VZ	KT43-RZ	—	KT43-RZ	—
	KT43-FZP	—	—	KT43-VZP40	KT43-SZ	—	KT43-SZ	—
	—	—	—	—	KT43-LZ	—	KT43-LZ	—
	—	—	—	—	KT43-PZ	—	KT43-PZ	—
	—	—	—	—	KT43-RZP	—	KT43-RZP	—
	—	—	—	—	KT43-SZP	—	KT43-SZP	—
	—	—	—	—	KT43-LZP	—	KT43-LZP	—
—	—	—	—	KT43-PZP	—	KT43-PZP	—	



**Q VALVE THERMOSTATIC ELEMENTS**

Where multiple thermostatic elements are shown for a given application and refrigerant, any of the elements may be used.

\* For Externally Equalized Valves Only.



**Q COMPONENTS**  
**CROSS REFERENCE**

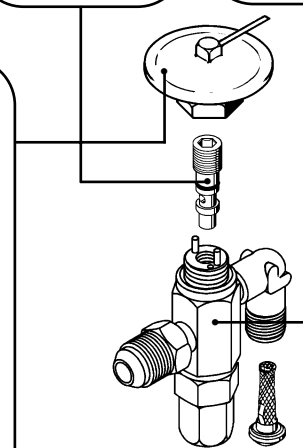
SPORLAN VALVE BODY TYPE	STANDARD SPORLAN VALVE DESCRIPTION AND NOMINAL CAPACITY STAMPED ON VALVE BODY								Q CARTRIDGE		Q BODY
	REFRIGERANT - (Sporlan Code)								SIZE	COLOR CODE	
	12, 409A (F)	134a (J)	401A (X)	22, 407A, 407C (V)	404A (S)	502, 408A (R)	402A (L)	507 (P)			
 Type NI	NIF-1/8	NIJ-1/8	NIX-1/8	NIV-1/4	NIS-1/8	NIR-1/8	NIL-1/8	NIP-1/8	QC-0	RED	Q BODY 1/4 X 1/2 SAE  Q BODY 3/8 X 1/2 SAE
	NIF-1/4	NIJ-1/4	NIX-1/4	NIV-1/2	NIS-1/4	NIR-1/4	NIL-1/4	NIP-1/4	QC-1	YELLOW	
	NIF-1/2	NIJ-1/2	NIX-1/2	NIV-1	NIS-1/2	NIR-1/2	NIL-1/2	NIP-1/2	QC-2	GREEN	
	NIF-1	NIJ-1	NIX-1	NIV-1-1/2	NIS-1	NIR-1	NIL-1	NIP-1	QC-3	BLUE	
 Type F	—	—	—	FV-1/5	—	—	—	—	QC-0	RED	Q BODY 1/4 X 1/2 SAE
	FF-1/8	FJ-1/8	FX-1/8	FV-1/4	FS-1/8	FR-1/8	FL-1/8	FP-1/8	QC-0	RED	
	FF-1/6	FJ-1/6	FX-1/6	FV-1/3	FS-1/6	FR-1/6	FL-1/6	FP-1/6	QC-0	RED	
	FF-1/4	FJ-1/4	FX-1/4	FV-1/2	FS-1/4	FR-1/4	FL-1/4	FP-1/4	QC-1	YELLOW	
	FF-1/2	FJ-1/2	FX-1/2	FV-1	FS-1/2	FR-1/2	FL-1/2	FP-1/2	QC-2	GREEN	
	FF-1	FJ-1	FX-1	FV-1-1/2	FS-1	FR-1	FL-1	FP-1	QC-3	BLUE	
	FF-1-1/2	FJ-1-1/2	FX-1-1/2	FV-2-1/2	FS-1-1/2	FR-1-1/2	FL-1-1/2	FP-1-1/2	QC-4	PINK	Q BODY 3/8 X 1/2 SAE
	—	—	—	FVE-1/5	—	—	—	—	QC-0	RED	QE BODY 1/4 X 1/2 SAE
	FFE-1/8	FJE-1/8	FXE-1/8	FVE-1/4	FSE-1/8	FRE-1/8	FLE-1/8	FPE-1/8	QC-0	RED	
	FFE-1/6	FJE-1/6	FXE-1/6	FVE-1/3	FSE-1/6	FRE-1/6	FLE-1/6	FPE-1/6	QC-0	RED	
	FFE-1/4	FJE-1/4	FXE-1/4	FVE-1/2	FSE-1/4	FRE-1/4	FLE-1/4	FPE-1/4	QC-1	YELLOW	
	FFE-1/2	FJE-1/2	FXE-1/2	FVE-1	FSE-1/2	FRE-1/2	FLE-1/2	FPE-1/2	QC-2	GREEN	
	FFE-1	FJE-1	FXE-1	FVE-1-1/2	FSE-1	FRE-1	FLE-1	FPE-1	QC-3	BLUE	
	FFE-1-1/2	FJE-1-1/2	FXE-1-1/2	FVE-2	FSE-1-1/2	FRE-1-1/2	FLE-1-1/2	FPE-1-1/2	QC-4	PINK	QE BODY 3/8 X 1/2 SAE
	FFE-2	FJE-2	FXE-2	FVE-3	FSE-2	FRE-2	FLE-2	FPE-2	QC-5	BLACK	
	FFE-3	FJE-3	FXE-3	FVE-5	FSE-3	FRE-3	FLE-3	FPE-3	QC-6	WHITE	

VALVE APPLICATION	12, 409A (F)	134a (J)	401A (X)	22, 407A, 407C (V)	404A (S)	502, 408A (R)	402A (L)	507 (P)
Air Conditioning*	KT43-FCP60	KT43-FCP60	KT43-FCP60	KT43-VCP100	KT43-RCP115	—	—	—
	KT43-JCP60	KT43-JCP60	KT43-JCP60	KT43-VGA	KT43-SCP115	—	—	—
	KT43-XCP60	KT43-XCP60	—	—	—	—	—	—
Commercial Refrigeration 50°F to -10°F	KT43-FC	KT43-FC	—	KT43-VC	KT43-RC	—	KT43-LC	—
	KT43-JC	KT43-JC	—	—	KT43-SC	—	KT43-PC	—
	KT43-XC	KT43-XC	—	—	—	—	—	—
Low Temperature Refrigeration 0°F to -40°F	KT43-FZ	—	—	KT43-VZ	KT43-RZ	—	KT43-RZ	—
	KT43-FZP	—	—	KT43-VZP40	KT43-SZ	—	KT43-SZ	—
	—	—	—	—	KT43-LZ	—	KT43-LZ	—
	—	—	—	—	KT43-PZ	—	KT43-PZ	—
	—	—	—	—	KT43-RZP	—	KT43-RZP	—
	—	—	—	—	KT43-SZP	—	KT43-SZP	—
	—	—	—	—	KT43-LZP	—	KT43-LZP	—
—	—	—	—	KT43-PZP	—	KT43-PZP	—	


**Q VALVE THERMOSTATIC ELEMENTS**

Where multiple thermostatic elements are shown for a given application and refrigerant, any of the elements may be used.

\* For Externally Equalized Valves Only.



**Q COMPONENTS**  
**CROSS REFERENCE**

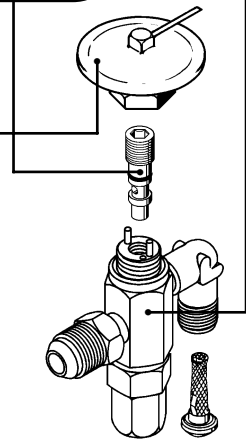
SPORLAN VALVE BODY TYPE	STANDARD SPORLAN VALVE DESCRIPTION AND NOMINAL CAPACITY STAMPED ON VALVE BODY								Q CARTRIDGE		Q BODY
	REFRIGERANT - (Sporlan Code)								SIZE	COLOR CODE	
	12, 409A (F)	134a (J)	401A (X)	22, 407A, 407C (V)	404A (S)	502, 408A (R)	402A (L)	507 (P)			
 Type G	GF-1/8	GJ-1/8	GX-1/8	GV-1/5	GS-1/8	GR-1/8	GL-1/8	GP-1/8	QC-0	RED	Q BODY 1/4 X 1/2 SAE
	GF-1/6	GJ-1/6	GX-1/6	GV-1/3	GS-1/6	GR-1/6	GL-1/6	GP-1/6	QC-0	RED	
	GF-1/4	GJ-1/4	GX-1/4	—	GS-1/4	GR-1/4	GL-1/4	GP-1/4	QC-1	YELLOW	
	—	—	—	GV-1/2	—	—	—	—	QC-1	YELLOW	
	—	—	—	GV-3/4	—	—	—	—	QC-1	YELLOW	
	GF-1/2	GJ-1/2	GX-1/2	GV-1	GS-1/2	GR-1/2	GL-1/2	GP-1/2	QC-2	GREEN	
	GF-1	GJ-1	GX-1	GV-1-1/2	GS-1	GR-1	GL-1	GP-1	QC-3	BLUE	Q BODY 3/8 X 1/2 SAE
	GF-1-1/2	GJ-1-1/2	GX-1-1/2	GV-2-1/2	GS-1-1/2	GR-1-1/2	GL-1-1/2	GP-1-1/2	QC-4	PINK	
	—	—	—	GVE-1/5	—	—	—	—	QC-0	RED	
	GFE-1/8	GJE-1/8	GXE-1/8	GVE-1/4	GSE-1/8	GRE-1/8	GLE-1/8	GPE-1/8	QC-0	RED	QE BODY 1/4 X 1/2 SAE
	GFE-1/6	GJE-1/6	GXE-1/6	GVE-1/3	GSE-1/6	GRE-1/6	GLE-1/6	GPE-1/6	QC-0	RED	
	GFE-1/4	GJE-1/4	GXE-1/4	—	GSE-1/4	GRE-1/4	GLE-1/4	GPE-1/4	QC-1	YELLOW	
—	—	—	GVE-1/2	—	—	—	—	QC-1	YELLOW	QE BODY 3/8 X 1/2 SAE	
—	—	—	GVE-3/4	—	—	—	—	QC-1	YELLOW		
GFE-1/2	GJE-1/2	GXE-1/2	GVE-1	GSE-1/2	GRE-1/2	GLE-1/2	GPE-1/2	QC-2	GREEN		
GFE-1	GJE-1	GXE-1	GVE-1-1/2	GSE-1	GRE-1	GLE-1	GPE-1	QC-3	BLUE		
GFE-1-1/2	GJE-1-1/2	GXE-1-1/2	GVE-2	GSE-1-1/2	GRE-1-1/2	GLE-1-1/2	GPE-1-1/2	QC-4	PINK		
GFE-2	GJE-2	GXE-2	GVE-3	GSE-2	GRE-2	GLE-2	GPE-2	QC-5	BLACK		
CF-2	CJ-2	CX-2	CV-3	CS-2	CR-2	CL-2	CP-2	QC-5	BLACK	Q BODY 3/8 X 1/2 SAE	
CF-2-1/2	CJ-2-1/2	CX-2-1/2	CV-4	CS-3	CR-3	CL-3	CP-3	QC-6	WHITE		
CF-3	CJ-3	CX-3	CV-5	—	—	—	—	QC-6	WHITE		
CFE-2-1/2	CJE-2-1/2	CXE-2-1/2	CVE-4	CSE-3	CRE-3	CLE-3	CPE-3	QC-6	WHITE	QE BODY 3/8 X 1/2 SAE	
CFE-3	CJE-3	CXE-3	CVE-5	—	—	—	—	QC-6	WHITE		

VALVE APPLICATION	12, 409A (F)	134a (J)	401A (X)	22, 407A, 407C (V)	404A (S)	502, 408A (R)	402A (L)	507 (P)
Air Conditioning*	KT43-FCP60	KT43-FCP60	—	KT43-VCP100	KT43-RCP115	—	—	—
	KT43-JCP60	KT43-JCP60	—	KT43-VGA	KT43-SCP115	—	—	—
	KT43-XCP60	KT43-XCP60	—	—	—	—	—	—
Commercial Refrigeration 50°F to -10°F	KT43-FC	KT43-FC	—	KT43-VC	KT43-RC	—	KT43-LC	—
	KT43-JC	KT43-JC	—	—	KT43-SC	—	KT43-PC	—
	KT43-XC	KT43-XC	—	—	—	—	—	—
Low Temperature Refrigeration 0°F to -40°F	KT43-FZ	—	—	KT43-VZ	KT43-RZ	—	KT43-RZ	—
	KT43-FZP	—	—	KT43-VZP40	KT43-SZ	—	KT43-SZ	—
	—	—	—	—	KT43-LZ	—	KT43-LZ	—
	—	—	—	—	KT43-PZ	—	KT43-PZ	—
	—	—	—	—	KT43-RZP	—	KT43-RZP	—
	—	—	—	—	KT43-SZP	—	KT43-SZP	—
	—	—	—	—	KT43-LZP	—	KT43-LZP	—
—	—	—	—	KT43-PZP	—	KT43-PZP	—	

**Q VALVE THERMOSTATIC ELEMENTS**

Where multiple thermostatic elements are shown for a given application and refrigerant, any of the elements may be used.

\* For Externally Equalized Valves Only.



**Q COMPONENTS**  
**CROSS REFERENCE**