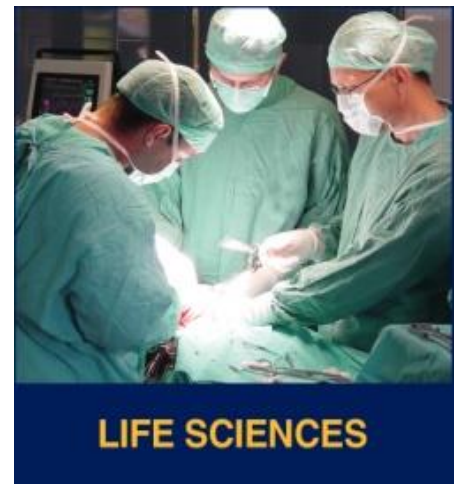


IV Catheter Stoppers and Sleeve Stoppers

Standard Product, High Volume Output,
Slitting Process Offered



Our Features

STA Div has developed various compounds which exceed requirements of industry leading life science companies. Parker STA Div is one of the world leaders in the development and manufacturing of the IV catheter sealing components. Comprehensive service provided by Parker STA Div includes material and process development, in-house testing, and worldwide logistic support.



Contact Information:

Parker Hannifin Corporation
Sealing Technology Asia Division
No.6 XingChuang Road 4
Wuxi, JiangSu, P.R.China 214028

Phone: 86 510 8528 1422
Fax : 86 510 8528 2675
E-Mail: sta.marketing@parker.com
www.Parker.com/sta

STA Div Features & Benefits

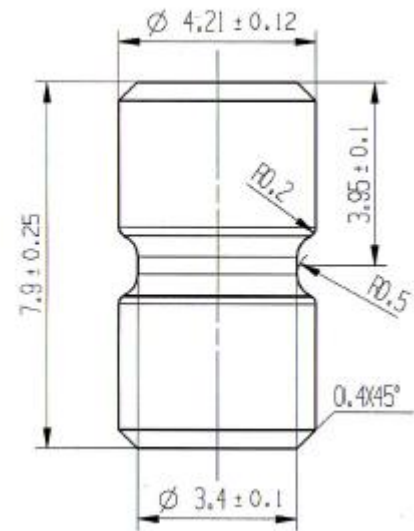
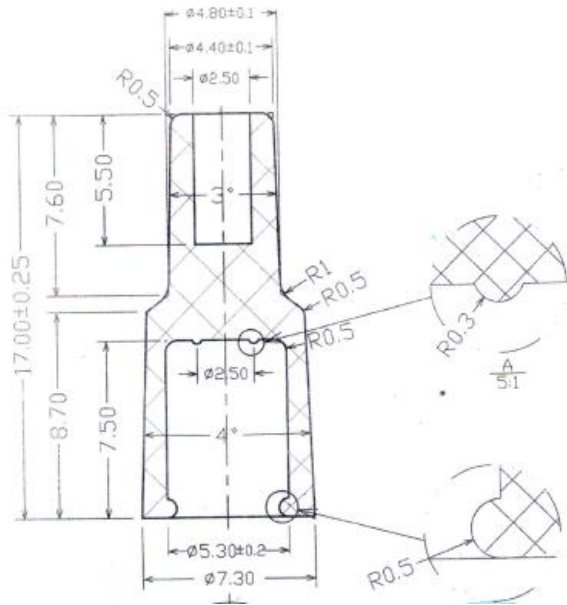
- Standard product, no need extra tooling cost
- In house tool design and manufacturing
- In-house mixing line
- Multiple distinctive compound choices
- Good performance in Biological, Chemical and functional test
- Automatic slitting process
- ISO 13485 approved quality system
- Multiple Class 8 clean rooms



ENGINEERING YOUR SUCCESS.

STA Div Compound for SIVCS

STA Div Compound	Polymer	Hardness +/-5A	Color	Comment
WE2189-30	IR	30	White	SIVCS
WI3596-30	IR	30	White	SIVCS
WG2933-35	IR	35	Natural	Sleeve stopper



Recommended for the following standards:

YY0581-2005

GB/T14233.1-2008

About Parker STA Division

- Formerly Rayco (Wuxi) Technologies
- Acquired by Parker in 2007; Division of Engineered Materials Group (EMG)
- Three locations: Wuxi (HQ); Shanghai BU(Seal Packing); Singapore Office (Sales and Warehouse)
- 600 associates
- ISO13485, TS16949, ISO14000, ISO9001, ISO17025



ENGINEERING YOUR SUCCESS.