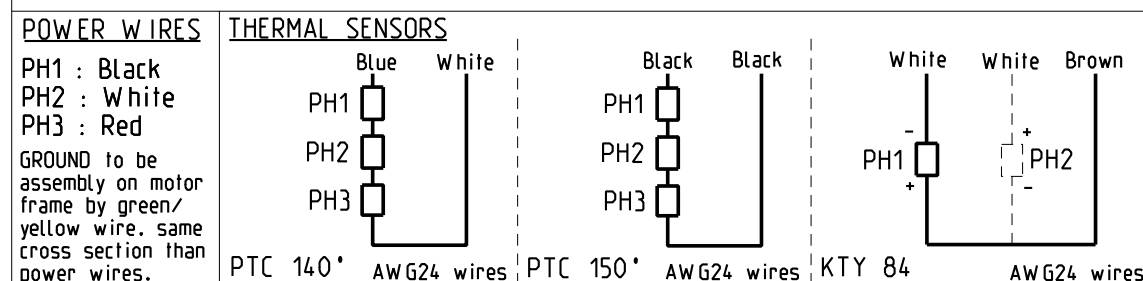
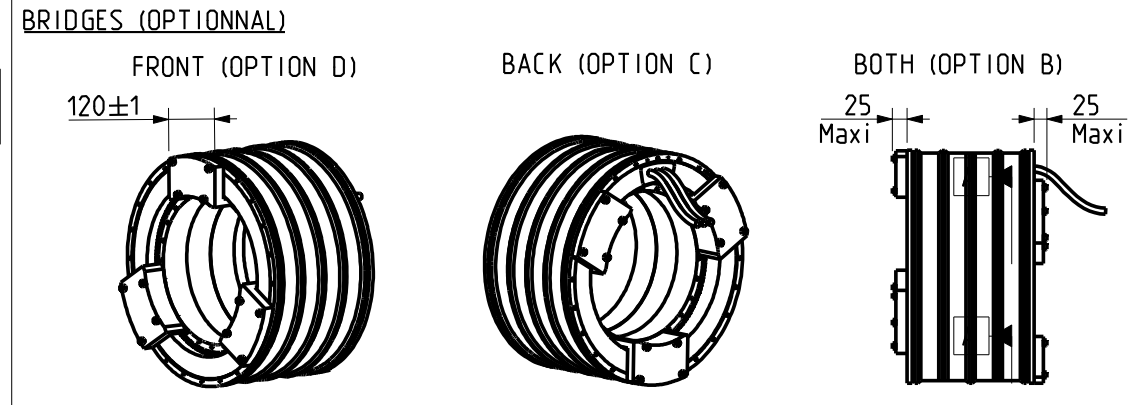
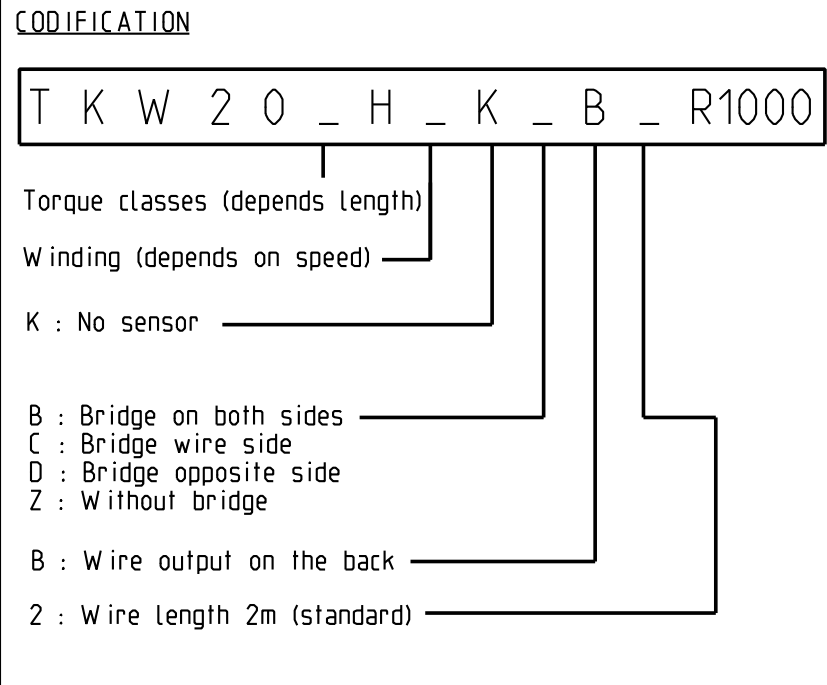


Torque classes & Winding	Wire Cross section/phase (mm ²)	L1 (mm)	L2 (mm)	L3 (mm)	L4 (mm)	L5 (mm)	N	α°	Weight (kg)
TKW 201HM	10	110	51	21.5	35	40	12	15	35
TKW 201HF	10								
TKW 202HS	10	160	101	21.5	35	90	24	15	57
TKW 202HF	25								60
TKW 203HR	10	210	151	21.5	35	140	24	15	75
TKW 203HE	25								78
TKW 203HD	25	270	202	21.5	35	200	24	15	98
TKW 204HV	10								120
TKW 204HI	35	340	252	28.5	35	270	24	15	
TKW 205HU	10								
TKW 205HM	25	390	302	28.5	35	320	48	7.5	173
TKW 205HH	50								
TKW 206HS	10	480	402	28.5	35	410	48	7.5	173
TKW 206HM	25								
TKW 206HG	50	25 x 2							
TKW 208HS	16								
TKW 208HM	25								
TKW 208HF	25 x 2								

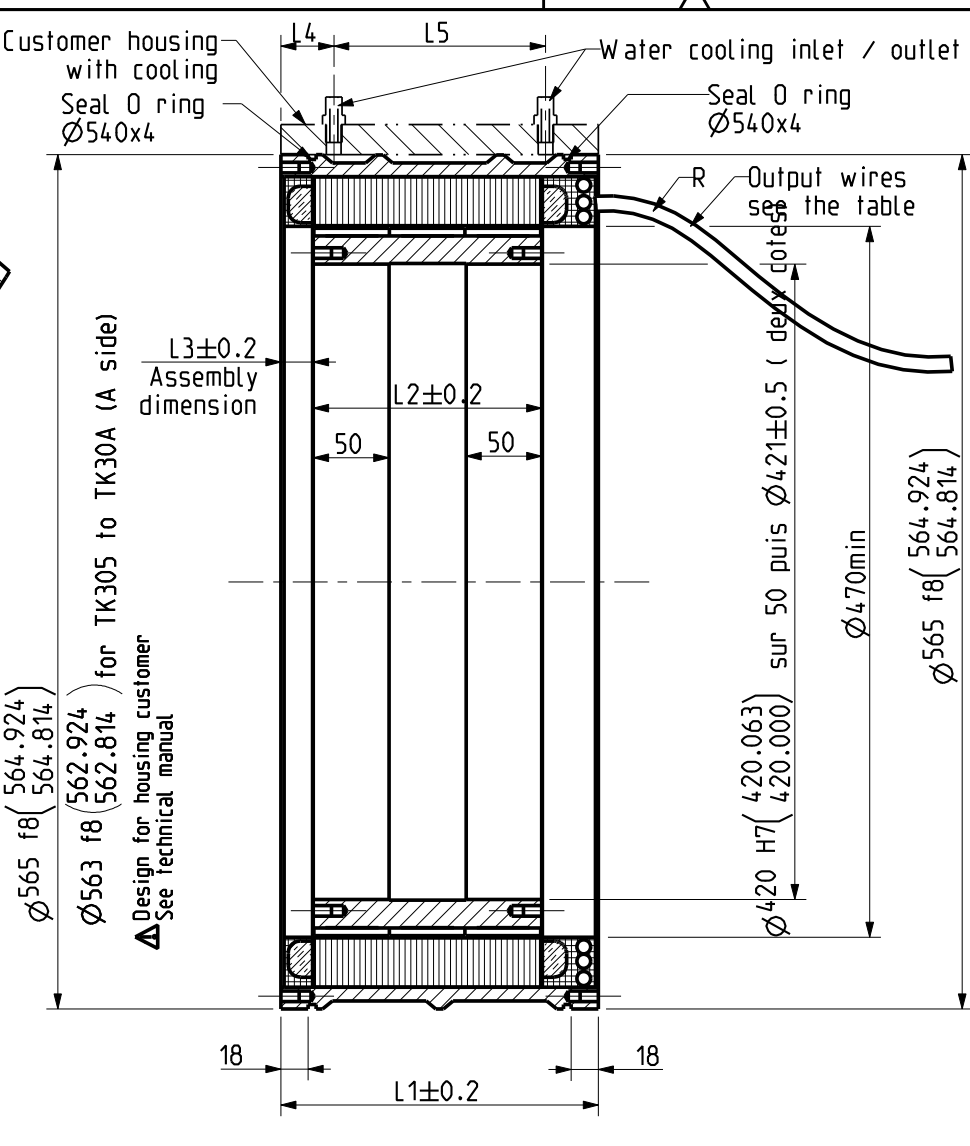
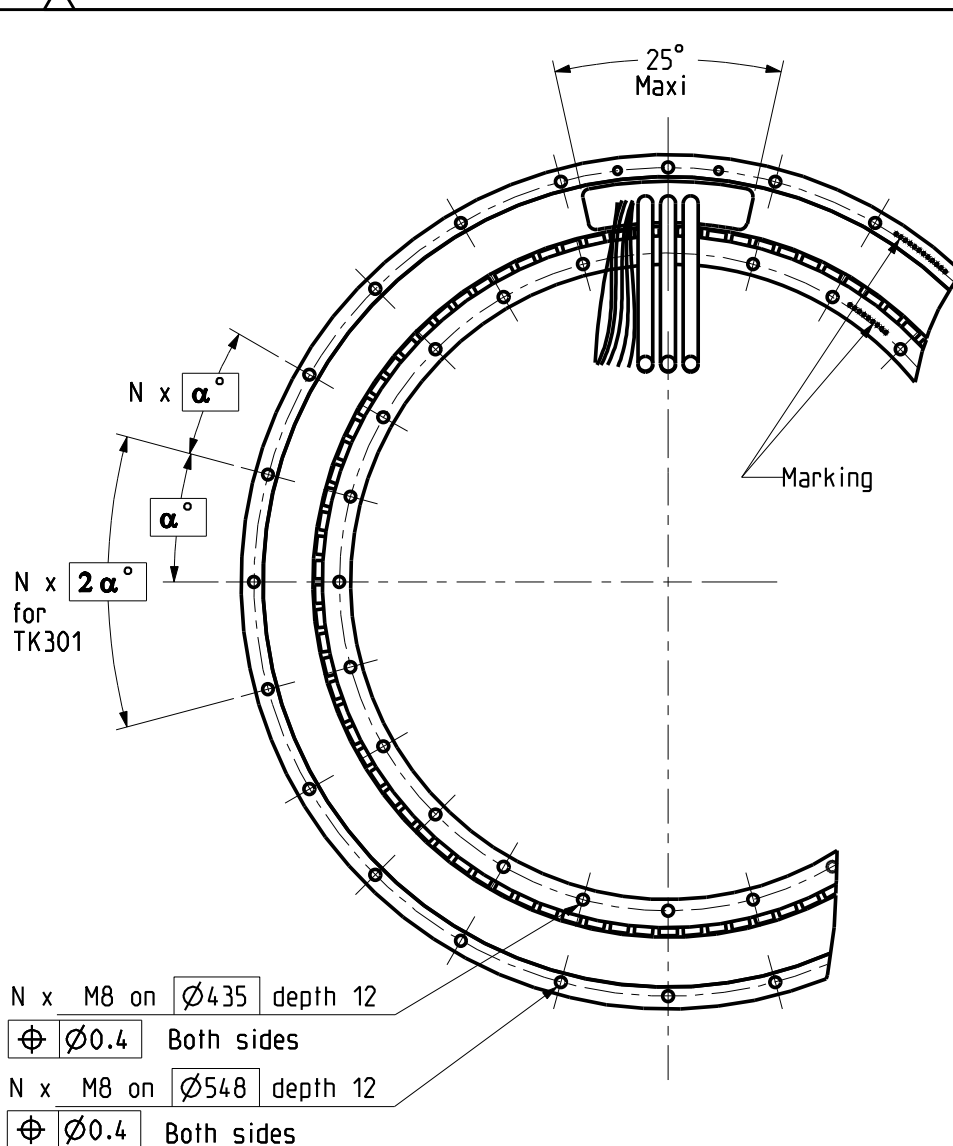


	l ₀ (Arms)	Wire Cross section/phase (mm ²)	R : Static bending radius (mm)
For all other Torque classes & Winding not written in the table above: Take dimensions of motor linked at wire cross section/phase created yet in the table above.	l ₀ ≤ 76	10	30
	76 < l ₀ ≤ 102	16	35
	102 < l ₀ ≤ 133	25	45
	133 < l ₀ ≤ 169	35	50
	169 < l ₀ ≤ 217	50	60
	217 < l ₀ ≤ 266	25 x 2	45

WATER COOLING

General tolerances DIN ISO 2768 mK	Drawn	01/09/09	OD	Visa		Scale 1:4	 SSD Parvex 8 Avenue du lac, BP249 21007-DIJON cedex-FRANCE www.SSDdrives.com	TKW 200H					Format	F	E	S	G	I
	Modifications	C	AM23442	26/07/10	OD				A3	x	OUTLINE DRAWING					350302E1000		

This document is the property of PARVEX. Transmission as well as reproduction or copy is not permitted without written authorisation.



Torque classes & Winding	Wire Cross section/phase (mm ²)	L1 (mm)	L2 (mm)	L3 (mm)	L4 (mm)	L5 (mm)	N	α°	Weight (kg)
TKW 301HJ	10	110	51	21.5	35	40	12	15	75
TKW 301HB	16								
TKW 302HP	10	160	101	21.5	35	90	24	15	113
TKW 302HJ	10 x 2								
TKW 302HE	35	170							116
TKW 303HN	10	210	151	21.5	35	140	24	15	150
TKW 303HJ	10 x 2								
TKW 303HC	50	220							153
TKW 304HN	16	275	202	21.5	45	185	24	15	192
TKW 304HM	25								
TKW 304HG	50								
TKW 305HO	16	340	252	28.5	45	250	24	15	238
TKW 305HN	25								
TKW 305HG	50								
TKW 306HO	16	380	302	28.5	45	290	48	7.5	274
TKW 306HM	25								
TKW 306HF	25 x 2	395							280
TKW 308HO	25	485	402	28.5	45	395	48	7.5	350
TKW 308HL	35								
TKW 308HC	35 x 2	520				430			375
TKW 30AHO	25	590	502	31.5	45	500	48	7.5	430
TKW 30AHL	35								
TKW 30AHD	50 x 2	650				560			470

CODIFICATION

TKW 30 _ H _ K _ B _ R1000

Torque classes (depends length)

Winding (depends on speed)

K : No sensor

B : Bridge on both sides

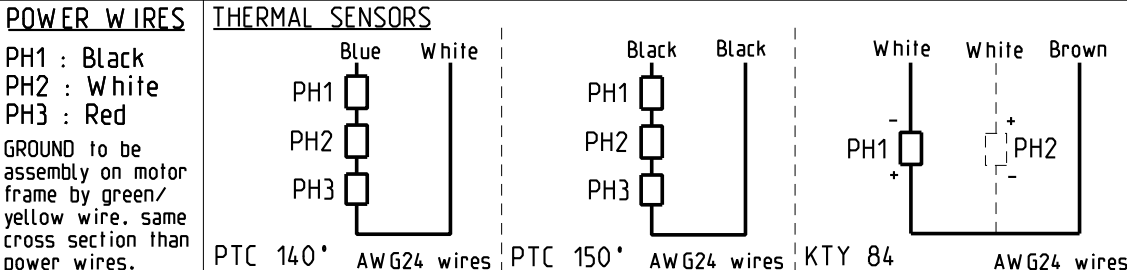
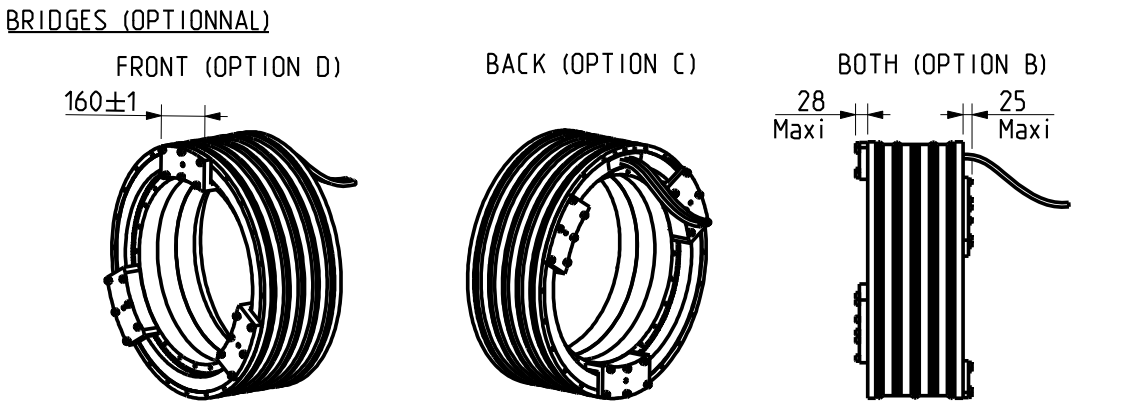
C : Bridge wire side

D : Bridge opposite side

Z : Without bridge

B : Wire output on the back

2 : Wire length 2m (standard)



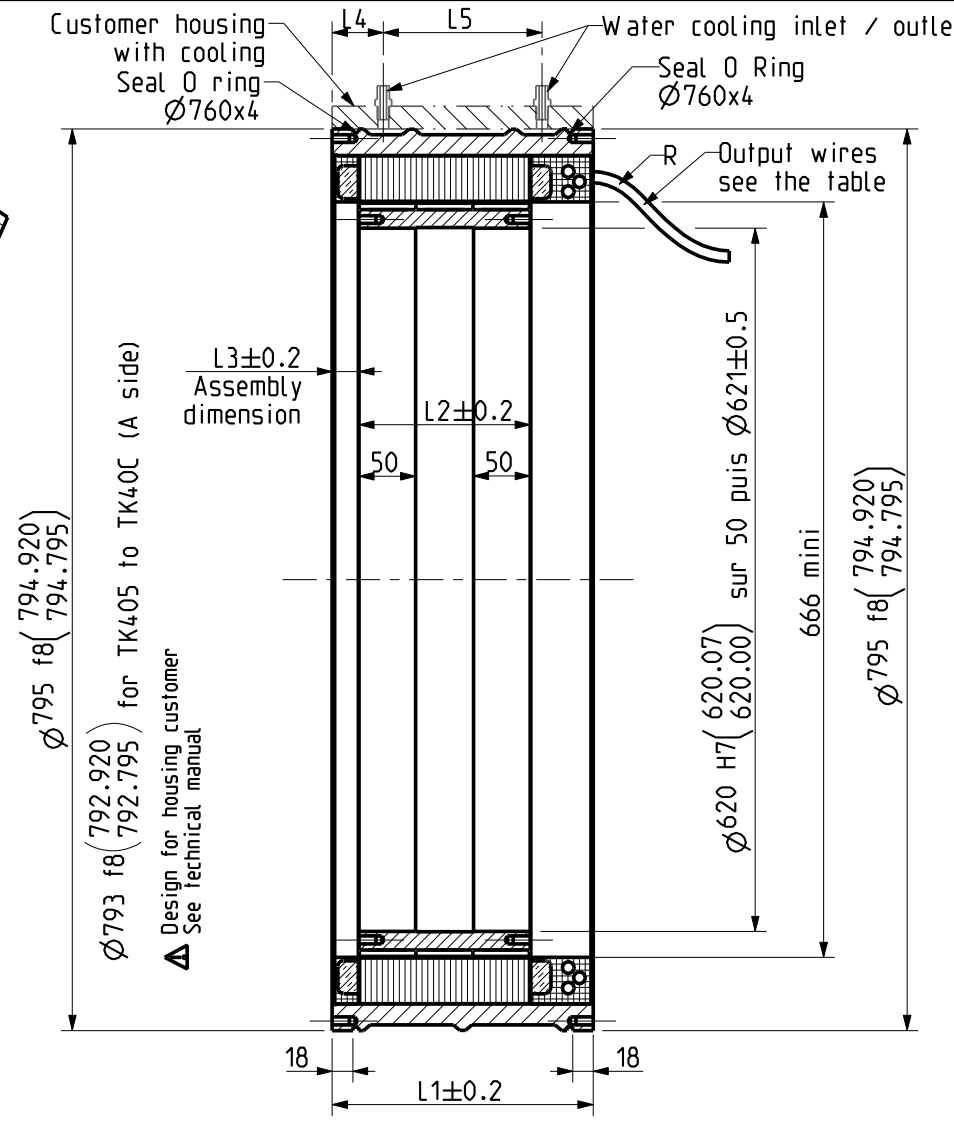
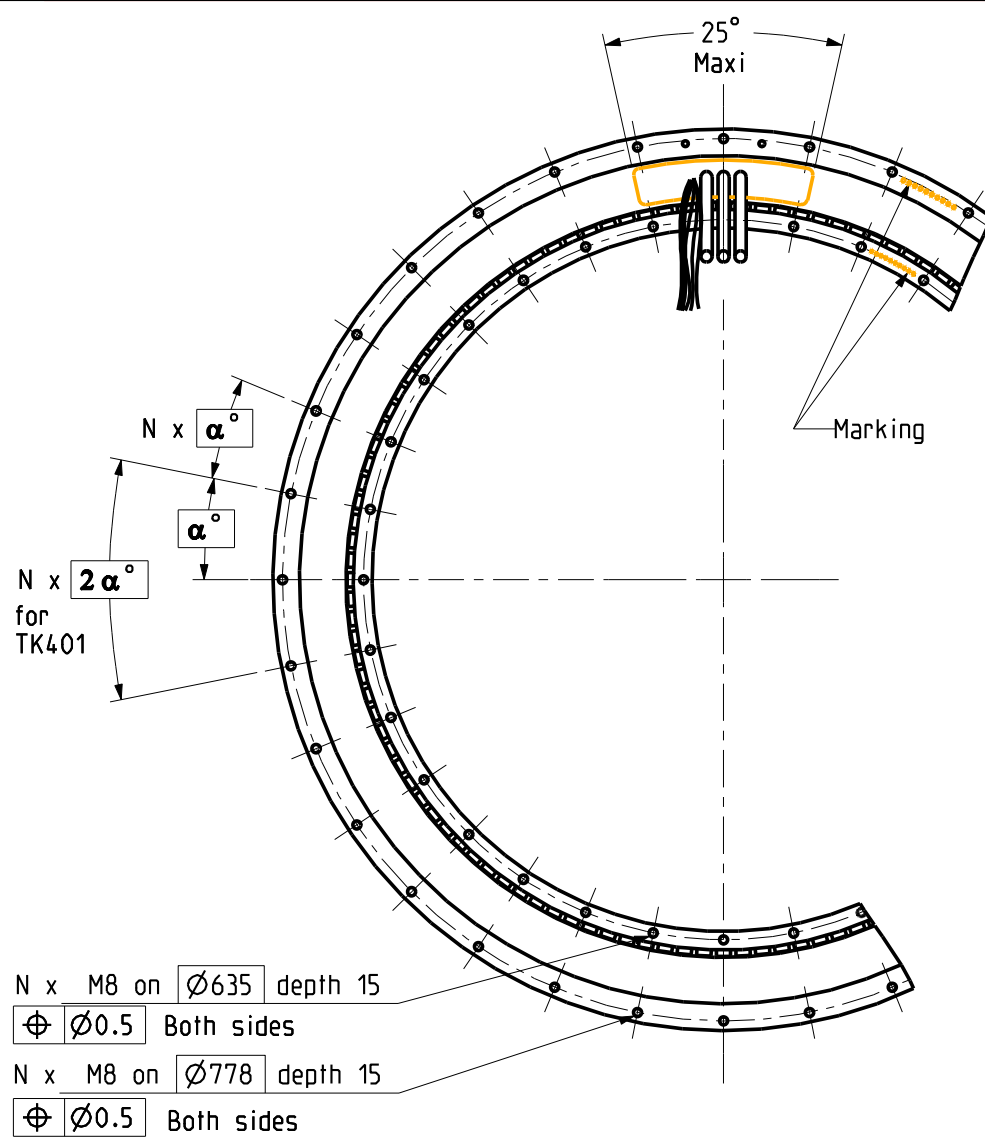
	l ₀ (Arms)	Wire Cross section/phase (mm ²)	R : Static bending radius (mm)
	l ₀ < 76	10	30
	76 < l ₀ < 102	16	35
	102 < l ₀ < 133	25	45
	133 < l ₀ < 169	35	50
	169 < l ₀ < 217	50	60
	217 < l ₀ < 266	25 x 2	45
	266 < l ₀ < 338	35 x 2	50
	338 < l ₀ < 434	50 x 2	60

For all other Torque classes & Winding not written in the table above: Take dimensions of motor linked at wire cross section/phase created yet in the table above.

WATER COOLING

General tolerances DIN ISO 2768 mK	Drawn	11/06/09	YG	Visa						Scale 1:5	 SSD Parvex 8 Avenue du lac. BP249 21007-DIJON cedex-FRANCE www.SSDdrives.com	TKW 300H OUTLINE DRAWING	Format	F	E	S	G	I	350303E1000
	Modifications	C	AM23421 08/06/10 OD										A3	X					

This document is the property of PARVEX. Transmission as well as reproduction or copy is not permitted without written authorisation.



Torque classes & Winding	Wire Cross section/phase (mm ²)	L1 (mm)	L2 (mm)	L3 (mm)	L4 (mm)	L5 (mm)	N	α°	Weight (kg)
TKW 401HG	10	130	51	23.5	45	40	16	11.25	137
TKW 401HA	25								
TKW 402HP	16	180	101	23.5	45	90	32	11.25	209
TKW 402HI	35								
TKW 402HG	50								
TKW 403HL	25	230	151	23.5	45	140	32	11.25	280
TKW 403HJ	35								
TKW 403HC	25 x 2								
TKW 404HR	35	280	202	23.5	45	190	32	11.25	350
TKW 404HQ	35								
TKW 404HI	35 x 2								
TKW 405HQ	35	350	252	30.5	45	260	32	11.25	430
TKW 405HH	35 x 2								
TKW 406HQ	35	400	302	30.5	45	310	64	5.625	500
TKW 406HP	35								
TKW 406HG	35 x 2								
TKW 408HQ	35	500	402	30.5	45	410	64	5.625	640
TKW 408HN	50								
TKW 408HF	50 x 2								
TKW 40AHQ	35	605	502	33.5	45	515	64	5.625	780
TKW 40AHM	25 x 2								
TKW 40AHE	50 x 2								
TKW 40CHK	25 x 2	710	602	33.5	45	620	64	5.625	920
TKW 40CHD	70 x 2								

CODIFICATION

TKW 40 _ H _ K _ B _ R1000

Torque classes (depends length)

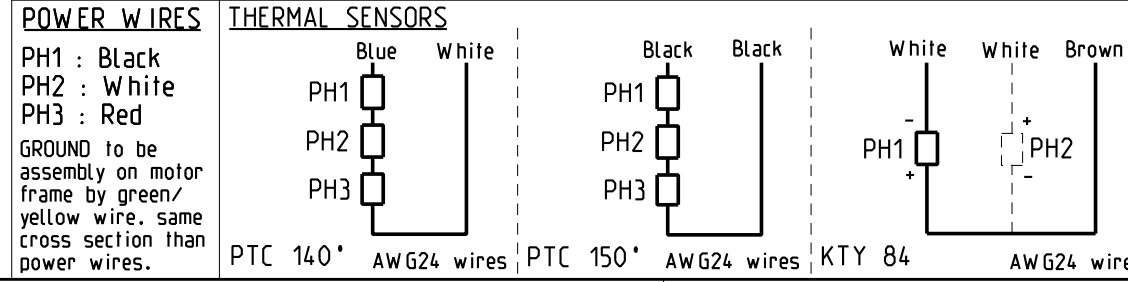
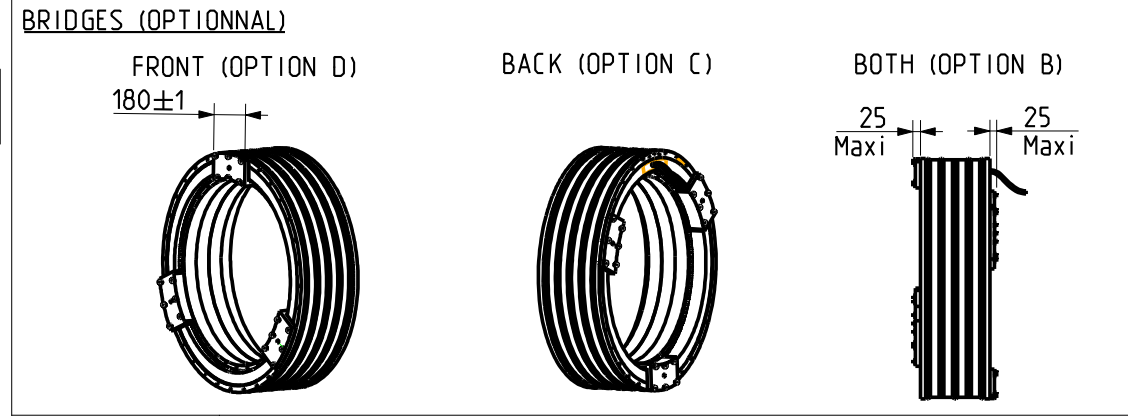
Winding (depends on speed)

K : No sensor

B : Bridge on both sides
 C : Bridge wire side
 D : Bridge opposite side
 Z : Without bridge

B : Wire output on the back

2 : Wire length 2m (standard)



	l ₀ (Arms)	Wire Cross section/phase (mm ²)	R : Static bending radius (mm)
	$l_0 \leq 76$	10	30
	$76 < l_0 \leq 102$	16	35
	$102 < l_0 \leq 133$	25	45
	$133 < l_0 \leq 169$	35	50
	$169 < l_0 \leq 217$	50	60
	$217 < l_0 \leq 266$	25 x 2	45
	$266 < l_0 \leq 338$	35 x 2	50
	$338 < l_0 \leq 434$	50 x 2	60
	$434 < l_0 \leq 528$	70 x 2	70

For all other Torque classes & Winding not written in the table above: Take dimensions of motor linked at wire cross section/phase created yet in the table above.

WATER COOLING

General tolerances DIN ISO 2768 mK	Drawn	02/09/09	OD	Visa						Scale 3:20	 SSD Parvex 8 Avenue du lac, BP249 21007-DIJON cedex-FRANCE www.SSDdrives.com	TKW 400H OUTLINE DRAWING	Format	F	E	S	G	I	350304E1000	C
	Modifications	C	AM23442	26/07/10	OD									A3	x					

This document is the property of PARVEX. Transmission as well as reproduction or copy is not permitted without written authorisation.