

Encoder Receiver Option

HA388867 Issue 4
Technical Manual

aerospace
climate control
electromechanical
filtration
fluid & gas handling
hydraulics
pneumatics
process control
sealing & shielding



Encoder Receiver Option

Technical Manual

HA388867 Issue 4

© Copyright 2015 Parker Hannifin Ltd.

All rights strictly reserved. No part of this document may be stored in a retrieval system, or transmitted in any form or by any means to persons not employed by a Parker Hannifin Manufacturing Limited company without written permission from Parker Hannifin Manufacturing Ltd. Although every effort has been taken to ensure the accuracy of this document it may be necessary, without notice, to make amendments or correct omissions. Parker Hannifin Manufacturing Limited cannot accept responsibility for damage, injury, or expenses resulting therefrom.

WARRANTY

The general terms and conditions of sale of goods and/or services of Parker Hannifin Europe Sarl, Luxembourg, Switzerland Branch, Etoy, apply to this product unless otherwise agreed. The terms and conditions are available on our website www.parker.com/termsandconditions/switzerland.

Parker Hannifin Manufacturing Limited reserves the right to change the content and product specification without notice.

Safety Information



WARNING!

During commissioning, remove the fuses (or trip the circuit breaker) on your 3-phase supply.
Make sure the power is OFF, and that it cannot be switched on accidentally whilst you are working.

REFER TO YOUR MAIN PRODUCT MANUAL FOR SPECIFIC SAFETY INFORMATION ABOUT THE DEVICE YOU ARE CONTROLLING

IMPORTANT: Please read this information BEFORE installing the equipment.

Intended Users

This manual is to be made available to all persons who are required to install, configure or service equipment described herein, or any other associated operation.

The information given is intended to highlight safety issues, EMC considerations, and to enable the user to obtain maximum benefit from the equipment.

Application Area

The equipment described is intended for industrial motor speed control.

Personnel

Installation, operation and maintenance of the equipment should be carried out by qualified personnel. A qualified person is someone who is technically competent and familiar with all safety information and established safety practices; with the installation process, operation and maintenance of this equipment; and with all the hazards involved.

Safety

All control and signal terminals are SELV, i.e. protected by double insulation.

EMC

In a domestic environment this product may cause radio interference in which case the user may be required to take adequate counter-measures.

This equipment contains electrostatic discharge (ESD) sensitive parts. Observe static control precautions when handling, installing and servicing this product.

Safety Information



CAUTION!

At any time, there may be a loss of motor control and separate/independent application measures should be taken to ensure that such loss of motor control cannot present a safety hazard.

RISK ASSESSMENT

Under fault conditions, power loss or unintended operating conditions, the drive may not operate as intended. In particular:

- Stored energy might not discharge to safe levels as quickly as suggested, and can still be present even though the drive appears to be switched off
- The motor's direction of rotation might not be controlled
- The motor speed might not be controlled
- The motor might be energised

A drive is a component within a drive system that may influence its operation or effects under a fault condition. Consideration must be given to:

- Stored energy
- Supply disconnects
- Sequencing logic
- Unintended operation

Contents

Contents

Page

ENCODER RECEIVER OPTION	1
Description	1
• Advantages.....	1
• Used On	1
• Available Options	2
• Specifications.....	2
Recommended Spare Parts.....	2
Installing the Encoder Receiver Option	3
590 Installation	3
584S Installation.....	3
Application Notes	4
Adjusting the Customer Calibrated Option AH387775U001	4
Encoders with Complementary Outputs	5
Single-Ended Encoders	6
Parker SSD Drives Encoder Connection	6
Parker SSD Drives Approved Encoders	7
Parker SSD Drives Recommended Encoder Specification	7
• Mechanical Specification	7
• Environmental Characteristics.....	7
• Materials Used.....	7
• Electrical Specification	8
Electrical Connection	8

ENCODER RECEIVER OPTION

Description



The Encoder Receiver Option allows incremental encoders to be connected directly to the motor controller to provide highly accurate speed feedback measurement. It mounts directly to the Main Control Board by means of three support stand-offs and a 10-pin interface connector built in to the board. A convenient board-mounted plug-in terminal block is provided for field connections.

Advantages

The Encoder Receiver Option board offers the following advantages:

- Contains two optically isolated differential inputs for channels A and B
- Decoding logic to interface the encoder to the control board
- Supplies fixed or customer-adjustable voltage, isolated encoder power supply

Used On

This option can be used on:

- 590 and 590P Series DC Controllers

Available Options

The Encoder Receiver is available in the following options:

Part Number	Description
AH387775U001	Encoder Receiver Customer Calibrated
AH387775U005	5V Encoder Receiver Option PCB
AH387775U012	12V Encoder Receiver Option PCB
AH387775U015	15V Encoder Receiver Option PCB
AH387775U024	24V Encoder Receiver Option PCB

Note: An adjustment potentiometer sets the supply voltage and may be calibrated for various voltages. Refer to the Application Notes, page 6. When used with Parker SSD Drives Encoder, AH387775U015 must be used.

Specifications

Maximum Input Frequency	100kHz per channel
Receiver Input Current	< 10mA per channel
Input Format	Two differential channels in quadrature
Minimum Differential Input Voltage	2.5V
Maximum Differential Input Voltage	30V
Encoder Supply Capacity	2W maximum
Terminal Wire Size (maximum)	16 AWG
Terminal Tightening Torque	Minimum 0.22Nm (1.9 pound-inches) Recommended 0.4Nm (3.5 pound-inches)

Recommended Spare Parts

Keep one Encoder Receiver board that matches the most commonly used supply voltage for spare parts. It can be modified for use at other supply voltages as shown in the Application Notes section.

Installing the Encoder Receiver Option

WARNING!

Disconnect all sources of power before attempting installation. Injury or death could result from unintended actuation of controlled equipment.

Caution

This option contains ESD (Electrostatic Discharge) sensitive parts. Observe static control precautions when handling, installing and servicing this option.

590 Installation

1. Unwrap and handle the option board using correct static safety procedures.
2. Lift the lower cover of the controller door into the open and locked position.
3. Align the 10-pin connector on the option board with the controller pins on the left of the controller door board.
4. Carefully push the option board on to the pins. All three white support stand-offs should engage the controller door board.
5. Refer to the motor controller Product Manual for software selection and scaling of the feedback option.

590P Installation

1. Unwrap and handle the option board using correct static safety procedures.
2. Loosen the two screws that retain the terminal cover, and remove the cover.
3. Align the 10-pin connector on the option board with the controller pins in the left-hand option bay of the controller housing.
4. Carefully push the option board onto the pins. All three white support pins should engage the controller housing.
5. Refer to the motor controller Product Manual for software selection and scaling of the feedback option.



Figure 1 Encoder Receiver Option 590 Mounting

Adjusting the Customer Calibrated Option AH387775U001

The Encoder Receiver Option can be ordered for standard supply voltages of 5, 12, 15 and 24V dc. For applications requiring different voltages, the Customer Calibrated option (AH387775U001) can be purchased and the following procedure used to adjust the output voltage setting.

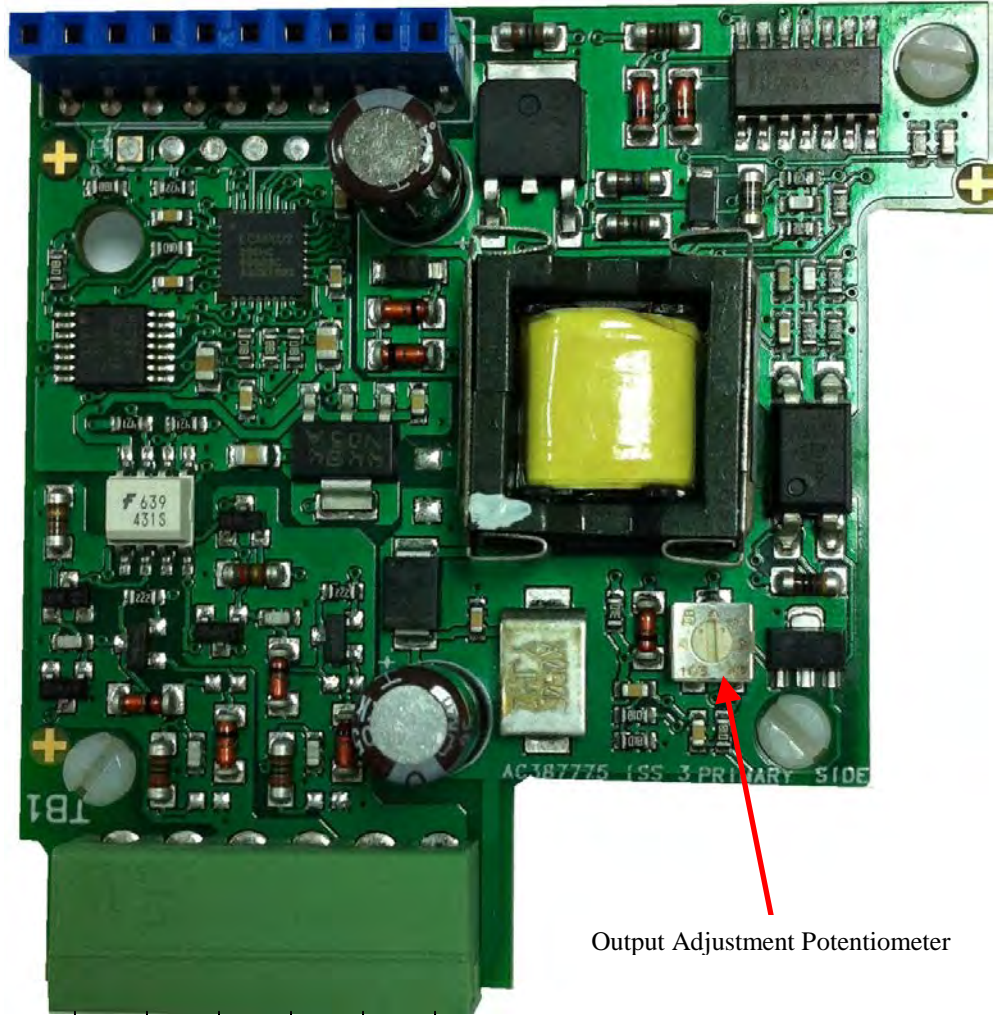
1. Install the Encoder Receiver Option card on the drive. Do NOT connect it to the encoder yet.
2. Power-up the drive.
3. Measure the voltage between terminals E1 and E2. This voltage can range from 5V to 30V dc.
4. Adjust the adjustment potentiometer until the desired output voltage is reached. Turning the adjustment potentiometer clockwise increases the output voltage.
5. Connect the encoder and re-check the voltage at the encoder terminals.

Note: *If the voltage drops by more than one volt, check the encoder wiring for excessive loading. Adjusting the adjustment potentiometer to compensate for an excessive line voltage drop is not recommended.*

Figure 2 shows the terminal designations and the location of the adjustment potentiometer. In cases where the encoder receiver card or the motor controller cannot supply enough power for the encoder, use an external power supply. The supply should be isolated from ground, that is neither the 0V dc nor the +V dc should be connected to ground.

All wiring to the Encoder Receiver Option board should be in screened cable. Cable with an overall screen or a screen over each individual pair may be used. Connection to earth should be made at the receiver end ONLY if possible, and should be in a star configuration. Take special care wiring the encoders to the option board due to the low level of the signals.

Encoders with Complementary Outputs



Output Adjustment Potentiometer

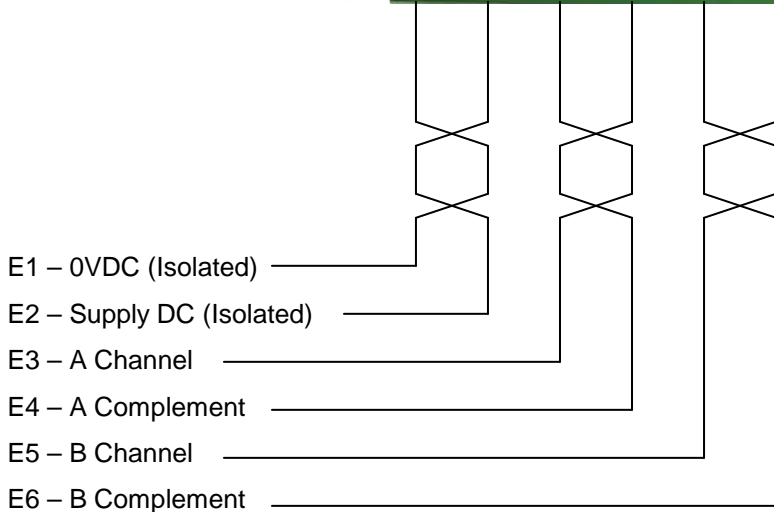


Figure 2 Terminal Designations

6

Single-Ended Encoders

Note that differential encoders are recommended due to their better noise immunity.

When using single-ended encoders:

1. Connect the A and B channels to terminals to E3 and E5 as shown above.
2. Connect terminals E4 (A complement) and E6 (B complement) to E1 (0V dc)

Recommended cable (3 pairs individually screened):

Belden equivalent 8777

Parker SSD Drives Part Number CM052666

Parker SSD Drives Encoder Connection

Function	MS Connector Pin	Receiver Terminal
Channel A	A	3
Channel A Complement	G	4
Channel B	B	5
Channel B Complement	H	6
Marker	C	
Marker Complement	I	
Vcc Supply	D	2
Vcc Sensor (not used)	E	
0V	F	1
0V Sensor (not used)	-	
Cable Screen		

Parker SSD Drives Approved Encoders

Recommended Encoder	Litton:	G71SCLDBI1000-531-15EA
Alternative Encoders	Parker SSD Drives Part Number:	DD385536U010 (1000 line)
	Heidenhain:	ROD 534.1013
	Avtron:	M945 1 R 1000 B C 15

Parker SSD Drives Recommended Encoder Specification

Mechanical Specification

Dimensions	Figure 2 : Outline Drawing of Encoder with Adaptor Flange
Weight	Approximately 650g
Starting Torque (25°C)	0.007Nm maximum
Slewing Speed (maximum)	6000 rpm
Shaft Loading - Axial	110N
Shaft Loading - Radial	130N
Rotor Inertia	$3.6 \times 10^6 \text{Nm/s}^2$

Environmental Characteristics

Operating Temperature	0°C to +70°
Storage Temperature	-25°C to +80°C
Humidity	up to 98% RH
Protection	IP64
Shock	20G, for 11ms duration
Vibration	10G, 5-2000Hz

Materials Used

Mainframe	Aluminium
Housing	Cast Aluminium
Shaft	Anti-magnetic stainless steel
Bearing	ABEC5
Light Source	GaAl As Infrared light emitting diode

Electrical Specification

Supply Voltage	8 - 15V dc
Current Consumption	180mA maximum
Frequency Range	300kHz
Lines per Rev	1000, see Note
Output Format	15V differential with 90° Quadrature
Maximum Load per Output Channel	50mA
Maximum Period Distortion	45°
Maximum Quadrature Distortion	45°
Maximum Rise/Fall Time at 10V	150ns

Note: *Litton Encoders are available in other accuracies such as 500 lines/rev or 2000 lines/rev to suit the application.*

Electrical Connection

Electrical connections are made to the encoder via a 10-way MS radial connector. Plug and socket provided.

Parker Worldwide

AE – UAE, Dubai
Tel: +971 4 8127100
parker.me@parker.com

AR – Argentina, Buenos Aires
Tel: +54 3327 44 4129

AT – Austria, Wiener Neustadt
Tel: +43 (0)2622 23501-0
parker.austria@parker.com

AT – Eastern Europe, Wiener Neustadt
Tel: +43 (0)2622 23501 900
parker.easteurope@parker.com

AU – Australia, Castle Hill
Tel: +61 (0)2-9634 7777

AZ – Azerbaijan, Baku
Tel: +994 50 2233 458
parker.azerbaijan@parker.com

BE/LU – Belgium, Nivelles
Tel: +32 (0)67 280 900
parker.belgium@parker.com

BR – Brazil, Cachoeirinha RS
Tel: +55 51 3470 9144

BY – Belarus, Minsk
Tel: +375 17 209 9399
parker.belarus@parker.com

CA – Canada, Milton, Ontario
Tel: +1 905 693 3000

CH – Switzerland, Etoy
Tel: +41 (0)21 821 87 00
parker.switzerland@parker.com

CL – Chile, Santiago
Tel: +56 2 623 1216

CN – China, Shanghai
Tel: +86 21 2899 5000

CZ – Czech Republic, Klecany
Tel: +420 284 083 111
parker.czechrepublic@parker.com

DE – Germany, Kaarst
Tel: +49 (0)2131 4016 0
parker.germany@parker.com

DK – Denmark, Ballerup
Tel: +45 43 56 04 00
parker.denmark@parker.com

ES – Spain, Madrid
Tel: +34 902 330 001
parker.spain@parker.com

FI – Finland, Vantaa
Tel: +358 (0)20 753 2500
parker.finland@parker.com

FR – France, Contamine s/Arve
Tel: +33 (0)4 50 25 80 25
parker.france@parker.com

GR – Greece, Athens
Tel: +30 210 933 6450
parker.greece@parker.com

HK – Hong Kong
Tel: +852 2428 8008

HU – Hungary, Budapest
Tel: +36 1 220 4155
parker.hungary@parker.com

IE – Ireland, Dublin
Tel: +353 (0)1 466 6370
parker.ireland@parker.com

IN – India, Mumbai
Tel: +91 22 6513 7081-85

IT – Italy, Corsico (MI)
Tel: +39 02 45 19 21
parker.italy@parker.com

JP – Japan, Tokyo
Tel: +81 (0)3 6408 3901

KR – South Korea, Seoul
Tel: +82 2 559 0400

KZ – Kazakhstan, Almaty
Tel: +7 7272 505 800
parker.easteurope@parker.com

MX – Mexico, Apodaca
Tel: +52 81 8156 6000

MY – Malaysia, Shah Alam
Tel: +60 3 7849 0800

NL – The Netherlands, Oldenzaal
Tel: +31 (0)541 585 000
parker.nl@parker.com

NO – Norway, Asker
Tel: +47 66 75 34 00
parker.norway@parker.com

NZ – New Zealand, Mt Wellington
Tel: +64 9 574 1744

PL – Poland, Warsaw
Tel: +48 (0)22 573 24 00
parker.poland@parker.com

PT – Portugal, Leca da Palmeira
Tel: +351 22 999 7360
parker.portugal@parker.com

RO – Romania, Bucharest
Tel: +40 21 252 1382
parker.romania@parker.com

RU – Russia, Moscow
Tel: +7 495 645-2156
parker.russia@parker.com

SE – Sweden, Spånga
Tel: +46 (0)8 59 79 50 00
parker.sweden@parker.com

SG – Singapore
Tel: +65 6887 6300

SK – Slovakia, Banská Bystrica
Tel: +421 484 162 252
parker.slovakia@parker.com

SL – Slovenia, Novo Mesto
Tel: +386 7 337 6650
parker.slovenia@parker.com

TH – Thailand, Bangkok
Tel: +662 717 8140

TR – Turkey, Istanbul
Tel: +90 216 4997081
parker.turkey@parker.com

TW – Taiwan, Taipei
Tel: +886 2 2298 8987

UA – Ukraine, Kiev
Tel: +380 44 494 2731
parker.ukraine@parker.com

UK – United Kingdom, Warwick
Tel: +44 (0)1926 317 878
parker.uk@parker.com

US – USA, Cleveland
Tel: +1 216 896 3000

VE – Venezuela, Caracas
Tel: +58 212 238 5422

ZA – South Africa, Kempton Park
Tel: +27 (0)11 961 0700
parker.southafrica@parker.com

European Product Information Centre

Free phone: 00 800 27 27 5374

(from AT, BE, CH, CZ, DE, EE, ES, FI, FR, IE, IL, IS, IT, LU, MT, NL, NO, PT, SE, SK, UK)

© 2012 Parker Hannifin Corporation. All rights reserved.

**Parker Hannifin Manufacturing Limited,
Automation Group, SSD Drives Europe,
New Courtwick Lane, Littlehampton,
West Sussex BN17 7RZ
United Kingdom
Tel: +44(0)1903 737000
Fax: +44(0)1903 737100
www.parker.com/ssd**

