

## All Steel Unibody Valve For use as Gauge Valve

Type V2 & V3

Sizes 1/4" & 3/8" MPT or FPT Globe & Angle  
For Ammonia, R22, R507, R134a, R404a  
Other Refrigerants and Oils

### FEATURES

- ASTM Forged Steel Body
- Design Pressure 450 PSIG (PS), 32 bar
- Fluid Temperature Range -40 deg F to 240 deg F
- Stainless Steel Stem
- Options: Angle or Globe Body, Extended connection lengths, 3/8" Ferulok Connection (accepts 3/8" OD tube)

### Material Specification

Body: Forged steel, ASTM A105 C 1029 zinc plated

Packing Nut: Steel

Stem: Stainless steel, 1/4" square flats

Stem Packing: Graphite base

Seal Cap: Plastic or Aluminum (V3 only)

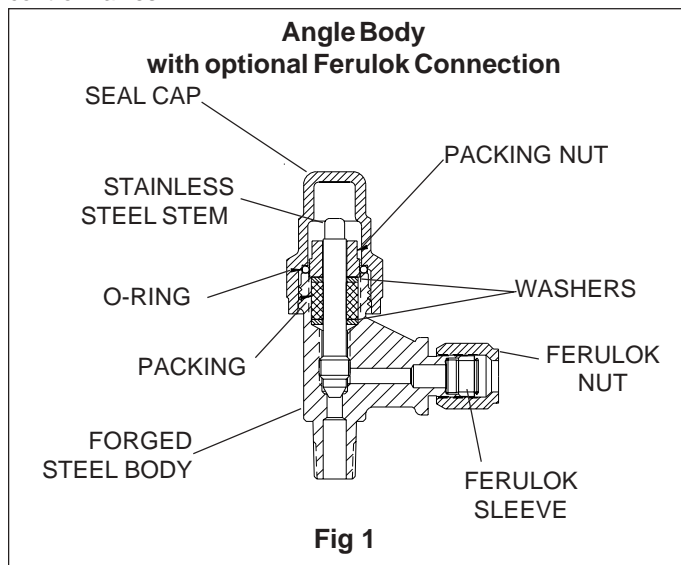
Seal Cap O-ring: Neoprene

### Description

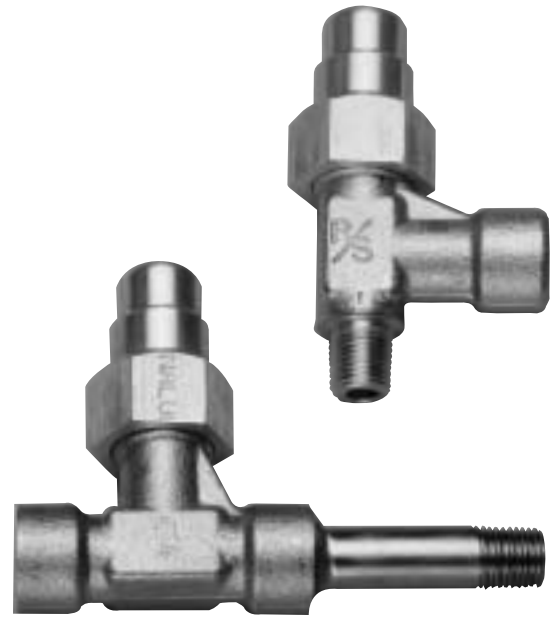
This line of rugged all steel bodied tiny hand valves are designed to seat tight and permit isolation of small system components. The stainless steel stem has the safety feature of being non-removable. The angle bodied valve and the globe body, employ the same features. The optional MPT or FPT connection and variable extended lengths are provided on both body sizes. See table on page 2.

### Principles of Operation

These multiple use small hand valves are normally mounted to pipe line components and lead to a gauge or instrument line. Flow rate are not generally of consideration except where valve is employed as a drain device or on remote piloted control valves



## Bulletin No. 84-00C



January 2003

### Installation, Service and Parts Information

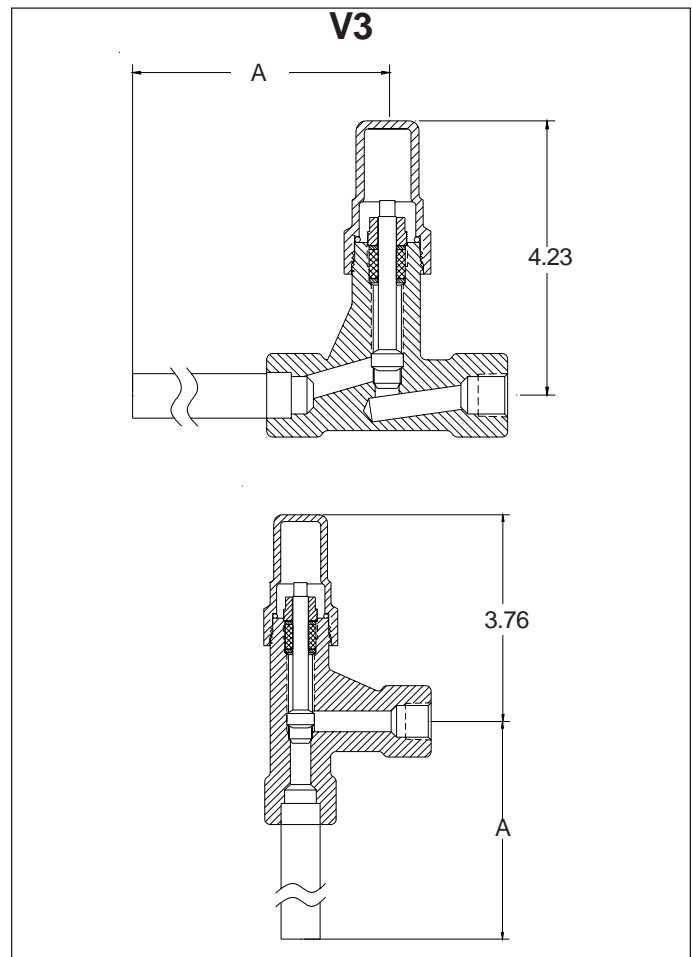
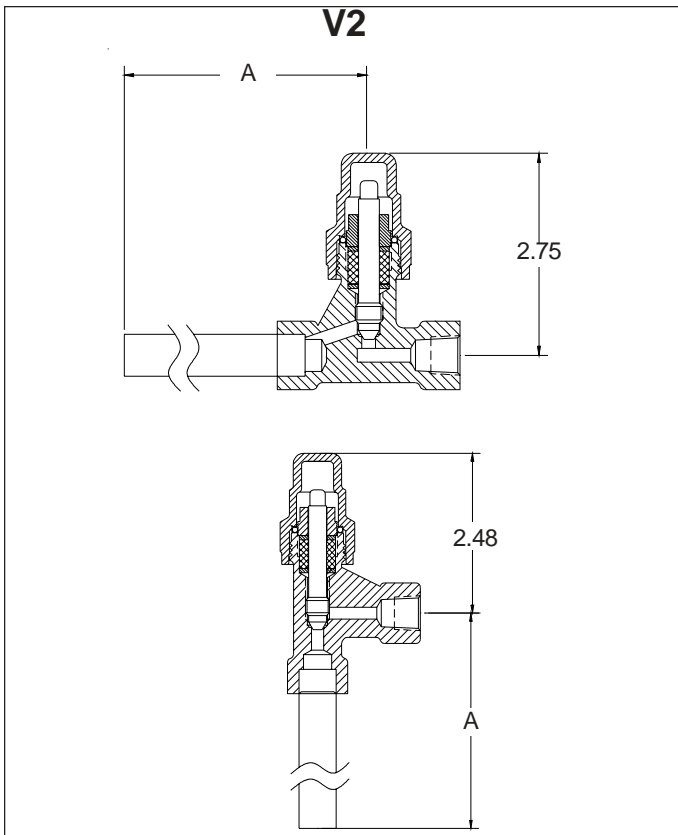
The valve is manually closed to prevent venting or to permit downstream component servicing. When manually opened, the inlet pressure source is equalized to the downstream side. This supports draining, venting, purging or component isolation.

### Safe Operation (See also Bulletin RSB)

**People doing any work on a refrigeration system must be qualified and completely familiar with the system and the Refrigerating Specialties Division valves involved, or all other precautions will be meaningless. This includes reading and understanding pertinent Refrigerating Specialties Division product Bulletins and Safety Bulletin RSB prior to installation or servicing work.**

Where cold refrigerant liquid lines are used, it is necessary that certain precautions be taken to avoid damage that could result from liquid expansion. Temperature increase in a piping section full of solid liquid will cause high pressure due to the expanding liquid that can possibly rupture a gasket, pipe or valve. All hand valves isolating such sections should be marked, warning against accidental closing, and must not be closed until the liquid is removed. Check valves must never be installed upstream of solenoid valves, or regulators with electric shut-off, nor should hand valve upstream of solenoid valves or downstream of check valves be close until the liquid has been removed. It is advisable to properly install relief devices in any section where liquid expansion could take place.

Avoid all piping or control arrangements that might produce thermal or pressure shock. For the protection of people and products, all refrigerant must be removed from the section to be worked on before a valve, strainer, or other device is opened or removed. Flanges with ODS connections are not suitable for ammonia service.



Unibody Valve Size	Body Style	Inlet Connection	Extension on Inlet	Connection Style	Seal Cap																											
<b>V2</b>	<b>A</b>	<b>M</b>	<b>00</b>	<b>N</b>	<b>A</b>																											
<b>Valve Size</b>	<b>Style</b>	<b>Inlet</b>	<b>Extension on Inlet*</b>	<b>Connection</b>	<b>Seal Cap</b>																											
V2 1/4" Body V3 3/8" Body	A Angle G Globe	M MPT* F FPT	<table border="1"> <thead> <tr> <th></th> <th>V2</th> <th>V3</th> </tr> </thead> <tbody> <tr><td>00</td><td>None or Female</td><td></td></tr> <tr><td>10</td><td>2.50"</td><td>13 3.25"</td></tr> <tr><td>13</td><td>3.25"</td><td>16 4.00"</td></tr> <tr><td>15</td><td>3.75"</td><td>20 5.00"</td></tr> <tr><td>21</td><td>5.25"</td><td>24 6.00"</td></tr> <tr><td>26</td><td>6.50"</td><td>28 7.00"</td></tr> <tr><td>30</td><td>7.50"</td><td>32 8.00"</td></tr> <tr><td>34</td><td>8.50"</td><td></td></tr> </tbody> </table>		V2	V3	00	None or Female		10	2.50"	13 3.25"	13	3.25"	16 4.00"	15	3.75"	20 5.00"	21	5.25"	24 6.00"	26	6.50"	28 7.00"	30	7.50"	32 8.00"	34	8.50"		N NPT F Ferulok*	A Aluminum (V3 only) P Plastic
	V2	V3																														
00	None or Female																															
10	2.50"	13 3.25"																														
13	3.25"	16 4.00"																														
15	3.75"	20 5.00"																														
21	5.25"	24 6.00"																														
26	6.50"	28 7.00"																														
30	7.50"	32 8.00"																														
34	8.50"																															

\*Globe body with MPT inlet must have extension.

\*V2 Angle only

\* Available on MPT inlet only.

### Warranty

All Refrigerating Specialties products are warranted against defects in workmanship and materials for a period of one year from date of shipment from originating factory. This warranty is in force only when products are properly installed, field assembled, maintained, and operated in use and service as specifically stated in Refrigerating Specialties Catalogs or Bulletins for normal refrigeration applications, unless otherwise approved in writing by Refrigerating Specialties Division. Defective products, or parts thereof returned to the factory with transportation charges prepaid and found to be defective by factory inspection will be replaced or repaired at Refrigerating Specialties option, free of charge F.O.B. factory. Warranty does not cover products that have been altered, or repaired in

the field; damaged in transit, accidents, misuse, or abuse. Products disabled by dirt or other foreign substances will not be considered defective. The express warranty above constitutes the only warranty of Refrigerating Specialties products, and is in lieu of all other warranties, expressed or implied, written or oral, including any warranty of merchantability or warranty of fitness for a particular purpose and in no event is Refrigerating Specialties responsible for any consequential damages of any nature whatsoever. No employee, agent, dealer or other person is authorized to give any warranties on behalf of Refrigerating Specialties nor to assume for Refrigerating Specialties any other liability in connection with any of its products.