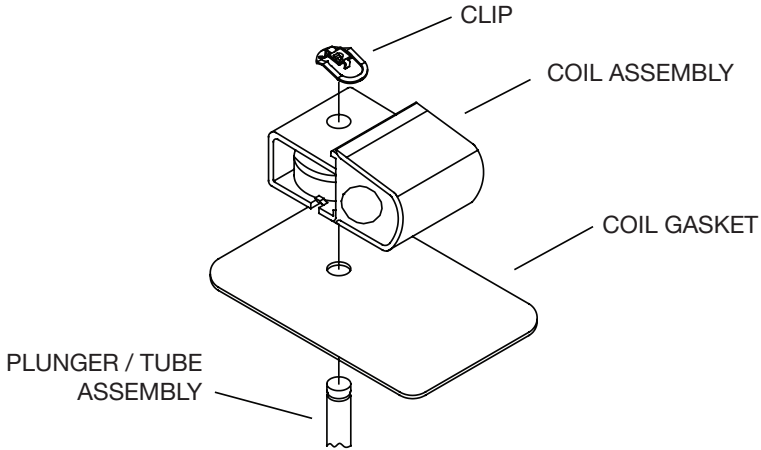


Solenoid coil Gasket (**Dielectric Protective Spacer**) Installation Instructions for SPORT, SPORT-II & SC, S81 Solenoid Actuators. Applies specifically to valves installed such that the enclosed end of the solenoid tube is down.

Installing a New Gasket



Step 1

Ensure that coils is disconnected from power source. Remove coil retaining clip from plunger tube assembly.

Step 2

Remove coil assembly from plunger tube assembly. Clean any corrosion that may exist on bottom of assembly.

Step 3

Remove and discard washer.

Step 4

Remove any corrosion or residue which may exist on plunger/tube assembly.

Step 5

Install coil gasket and align to cover coil assembly.

Step 6

Replace coil assembly and coil retaining clip.

Refrigerating Specialties Division

Parker Hannifin Corporation
Refrigerating Specialties Division
2445 South 25th Avenue
Broadview, IL 60155-3891 USA
Phone: (708) 681-6300
Fax: (708) 681-6306

ISO 9001 CERTIFIED

