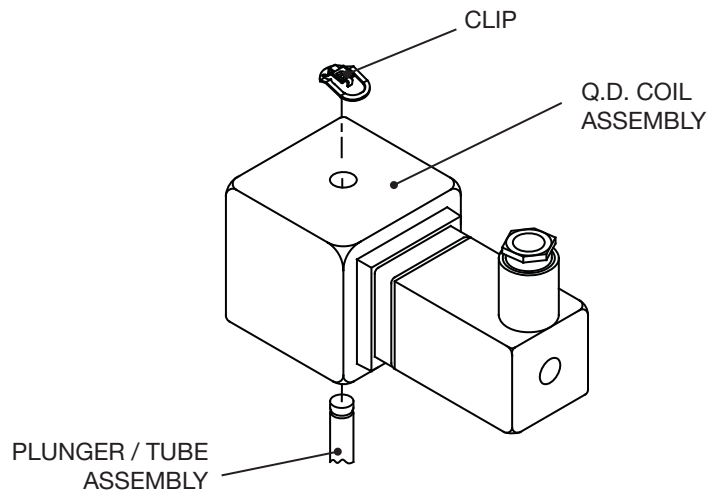


INDUSTRIAL COIL / HOUSING ASSEMBLY MOUNTING INSTRUCTIONS



COIL INSTALLATION AND REPLACEMENT

CAUTION: Turn off electrical power supply
and disconnect coil leads

1. Remove Retaining Clip
2. Slide Q.D. Coil off of Plunger Tube Assembly
3. Re-assemble in reverse order

Refrigerating Specialties Division

Parker Hannifin Corporation
Refrigerating Specialties Division
2445 South 25th Avenue
Broadview, IL 60155-3891 USA
Phone: (708) 681-6300
Fax: (708) 681-6306

ISO 9001 CERTIFIED

