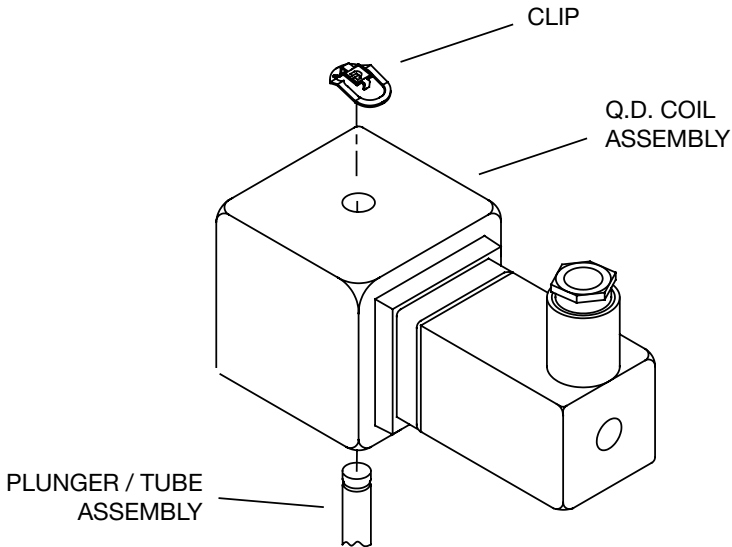


# COMMERCIAL Q.D. COIL ASSEMBLY MOUNTING INSTRUCTIONS



## COIL INSTALLATION AND REPLACEMENT

**CAUTION:** Turn off electrical power supply  
and disconnect coil leads

1. Remove Retaining Clip
2. Slide Q.D. Coil off of Plunger Tube Assembly
3. Re-assemble in reverse order.

## Refrigerating Specialties Division

Parker Hannifin Corporation  
**Refrigerating Specialties Division**  
2445 South 25th Avenue  
Broadview, IL 60155-3891 USA  
Phone: (708) 681-6300  
Fax: (708) 681-6306

ISO 9001 CERTIFIED

