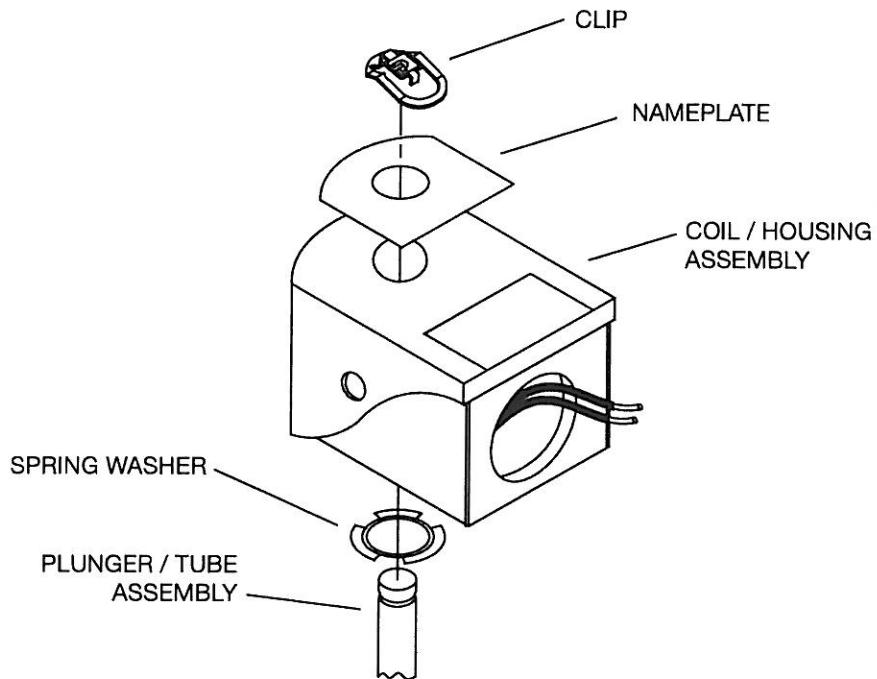


## COMMERCIAL COIL / HOUSING ASSEMBLY MOUNTING INSTRUCTIONS



### COIL INSTALLATION AND REPLACEMENT

**CAUTION: Turn off electrical power supply  
and disconnect coil leads**

1. Remove Retaining Clip and Nameplate
2. Slide Coil / Housing Assembly off of Plunger Tube Assembly
3. Re-assemble in reverse order

FS-064

### Refrigerating Specialties Division

Parker Hannifin Corporation  
**Refrigerating Specialties Division**  
2445 South 25th Avenue  
Broadview, IL 60155-3891 USA  
Phone: (708) 681-6300  
Fax: (708) 681-6306

ISO 9001 CERTIFIED

