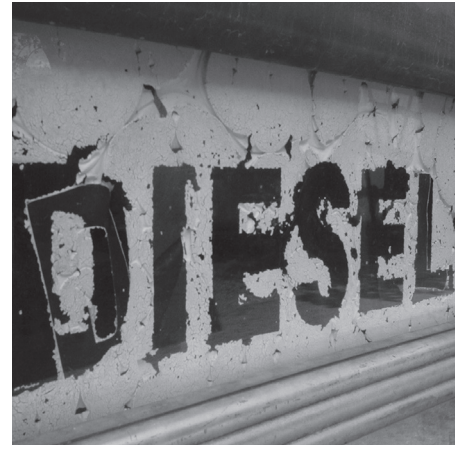


# P Series

## Fuel Filter/Water Separator

Instruction Part Number 58126 Rev D



The patented P Series diesel fuel conditioning module (for vacuum side applications only) was developed for application in any diesel engine fuel injection system. P Series assemblies are available in three sizes and all feature 3/8" NPT inlet and outlet fuel ports. This innovative and modular fuel filter/water separator incorporates low-pressure fuel system components into a single package.

### Getting Started

The following customer supplied materials should be on hand before beginning installation.

- Motor Oil
- Hose Cutter
- Shop Towels
- 15mm Wrench
- Thread Sealant
- Mounting Fasteners (3/8")
- Inlet/Outlet Fittings (3/8"-18 NPT)
- Torque Wrench (inch pounds)

### Installation Instructions

1. Engine must be off and cool to touch. Do not smoke or allow open flames near installation. Obtain good ventilation.
2. Disconnect ground cable from battery.
3. Find an appropriate mounting location near fuel supply hose.
4. Attach optional mounting bracket to filter assembly using 15mm bolts (provided) and torque to 200 inch pounds.
5. Mount assembly near fuel supply hose using mounting instructions below (fasteners not provided).
6. Install appropriate inlet and outlet fittings with liquid thread sealant. Do not use thread tapes as particles may break off and contribute to clogging the filter. Do not exceed 420 inch pounds of torque when tightening the fittings.

*Continued on next page.*



*Note: P3 shown above. Clear bowls available for P3 and P5 units only. The P4 has a black bowl.*

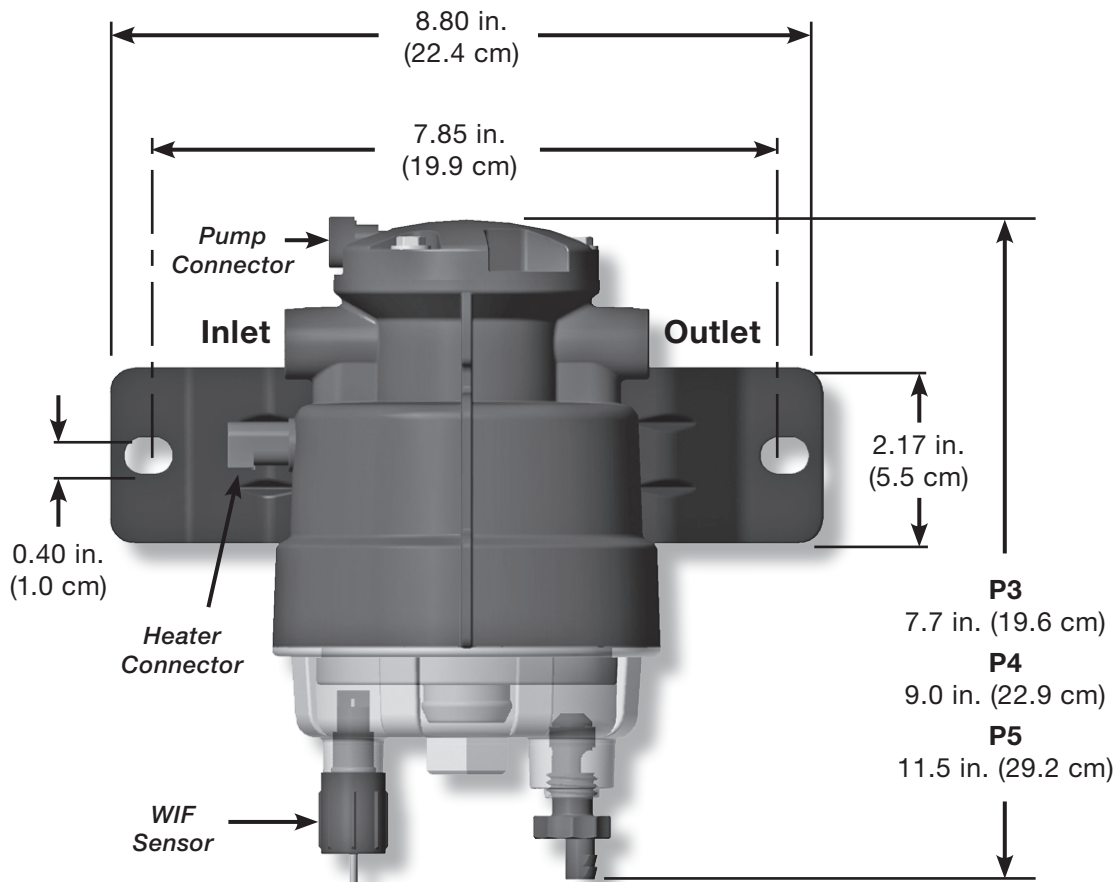
## Contact Information

Parker Hannifin Corporation  
**Racor Division**  
PO Box 3208  
3400 Finch Road  
Modesto, CA 95354

phone 800 344 3286  
209 521 7860  
fax 209 529 3278  
racor@parker.com  
parker.com/racor

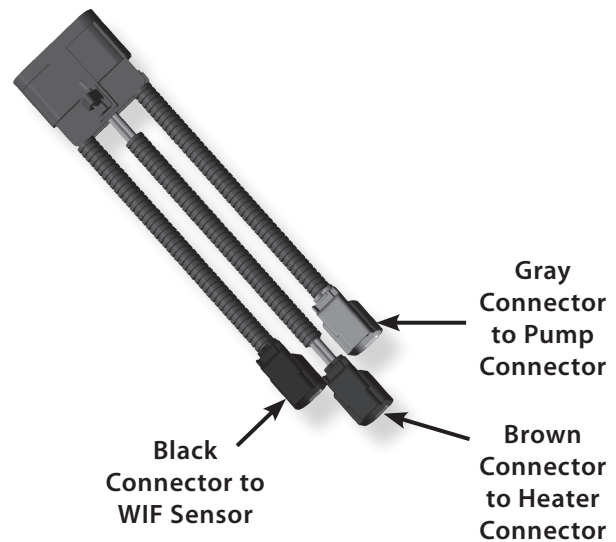


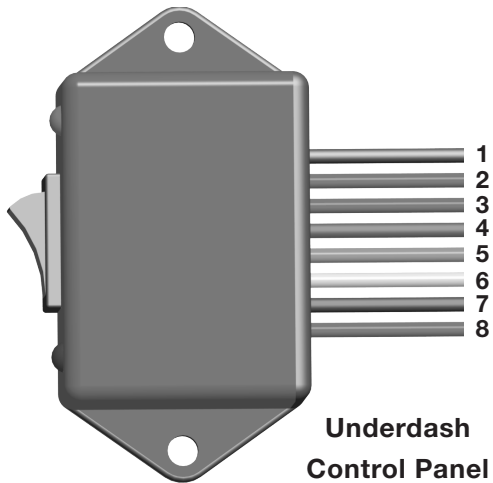
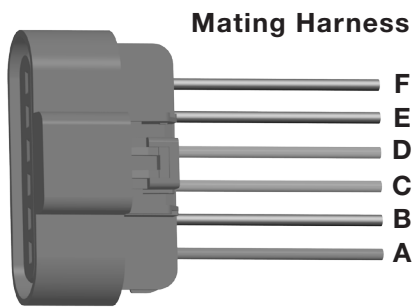
## Mounting Information



*Continued from last page.*

7. Relieve pressure from fuel line if appropriate.
8. Cut fuel line and attach to inlet and outlet fittings.
9. Connect the wiring harness to the filter assembly as shown to the right.
10. Connect wire leads as shown below with 18 gauge wire (minimum - unless otherwise specified).
11. When routing wires, take care to avoid hot or moving surfaces. Use cable ties if necessary to keep wires away from potential damage.
12. It is not necessary to manually prime unit. While cranking engine, press the priming switch on the underdash control panel until engine starts (and fuel lines are primed). Check for leaks and correct as necessary with engine off.





- 1: **Orange** wire (heater) (-) to **C** orange wire
- 2: **Yellow** wire (probe) to **A** black wire
- 3: **White** wire (pump) (-) to **E** black wire
- 4: **Black** wire to ground
- 5: **Brown** wire (heater) (+) to **D** orange wire
- 6: **Red** wire to 12 volt fused power supply (30A).  
Use 14 gauge wire (minimum)
- 7: **Yellow** wire (probe) to **B** black wire
- 8: **Blue** wire (12 volt pump) (+) to **F** red wire

## Element Changeout

1. Verify engine is off and cool to touch. Do not smoke or allow open flames near filter servicing.
2. Position a container to catch drained fuel.
3. Drain unit completely using self-venting drain on bottom of bowl. Turn drain counter-clockwise to open.
4. After all fuel has drained from filter assembly, close drain by turning clockwise. Tighten snugly by hand only—do not use tools.
5. Using a 26mm wrench, remove bowl from assembly by turning counter-clockwise.
6. Detach used filter from bowl (dispose of used filter properly).
7. Attach new filter to bowl.
8. Replace used o-ring on bowl with new o-ring supplied with new filter.
9. Lubricate bowl and filter o-rings with motor oil or clean fuel.
10. Thread bowl onto assembly and tighten snugly. Bowl should bottom-out on housing.
11. It is not necessary to manually prime unit. While cranking engine, press priming switch on underdash control panel until engine starts (and fuel lines are primed).
12. Check for leaks and correct as necessary with engine off.

## Draining Water From Bowl

1. Engine must be off and cool to touch. Do not smoke or allow open flames near filter servicing. Obtain good ventilation.

*Note: If drain is left open too long, it will drain entire filter assembly. Open drain in a counter-clockwise rotation and close as soon as all water has been removed and fuel begins to drain.*

*Also, it is not necessary to manually prime unit. While cranking engine, press priming switch on underdash control panel until engine starts (and fuel lines are primed).*

2. Check for leaks and correct as necessary with engine off.

<b>Specifications</b>	<b>P3</b>	<b>P4</b>	<b>P5</b>
<b>Maximum Flow Rate</b>	30 GPH (114 LPH)	40 GPH (151 LPH)	50 GPH (189 LPH)
<b>Clean Pressure Drop</b>	0.4 PSI (2.8 kPa)	0.5 PSI (3.4 kPa)	0.8 PSI (5.5 kPa)
<b>Max. Pump Output (at 14.4 volts)</b>	40 GPH (151 LPH)	40 GPH (151 LPH)	40 GPH (151 LPH)
<b>Standard Fuel Port Size (SAE J476)</b>	3/8"-18 NPT	3/8"-18 NPT	3/8"-18 NPT
<b>Number of Ports Available:</b> (fuel inlets) (fuel outlets)	2 1 1	2 1 1	2 1 1
<b>Replacement Filter:</b> (2 micron) (10 micron) (30 micron)	R58060-02 R58060-10 R58060-30	R58095-2 R58095-10 R58095-30	R58039-2 R58039-10 R58039-30
<b>Minimum Service Clearance</b>	2.5 in. (6.4 cm)	2.5 in. (6.4 cm)	2.5 in. (6.4 cm)
<b>Height</b>	7.7 in. (19.6 cm)	9.0 in. (22.9 cm)	11.5 in. (29.2 cm)
<b>Depth</b>	5.2 in. (13.2 cm)	5.2 in. (13.2 cm)	5.2 in. (13.2 cm)
<b>Width (with bracket)</b>	8.8 in. (22.4 cm)	8.8 in. (22.4 cm)	8.8 in. (22.4 cm)
<b>Weight (dry)</b>	3.4 lb (1.5 kg)	3.8 lb (1.7 kg)	4.2 lb (1.9 kg)
<b>Maximum Pump Outlet Pressure</b>	10 PSI (0.69 bar)	10 PSI (0.69 bar)	10 PSI (0.69 bar)
<b>Features:<sup>1</sup></b> (water sensor) (heater) (pressure regulator, 10 PSI) (pump by-pass flow valve)	Standard Standard Standard Standard	Standard Standard Standard Standard	Standard Standard Standard Standard
<b>Water Removal Efficiency</b>	99.9%		
<b>Operating Temperature</b>	-40° to +255°F (-40° to +124°C)		

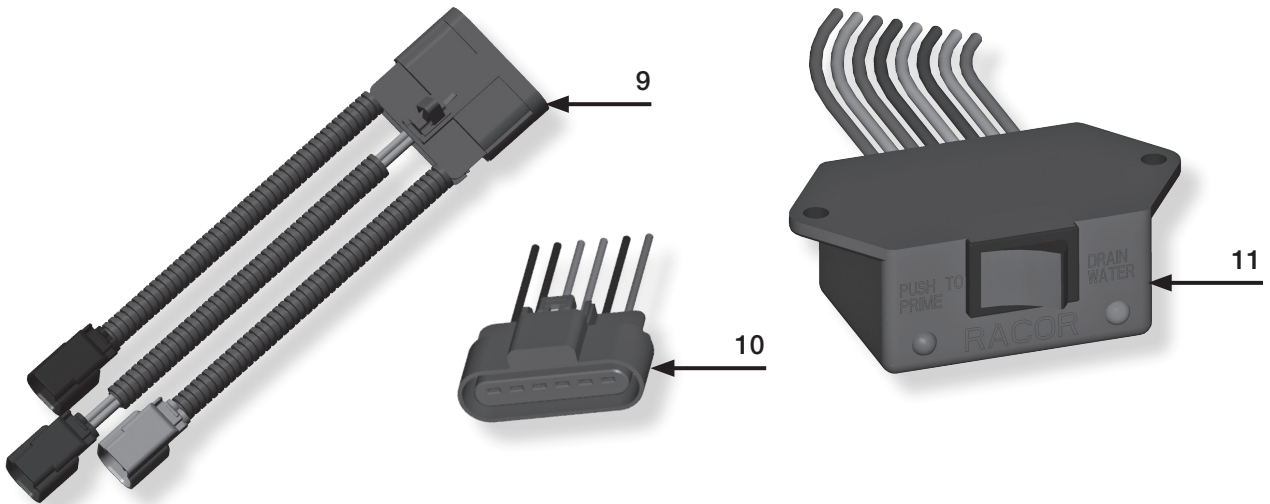
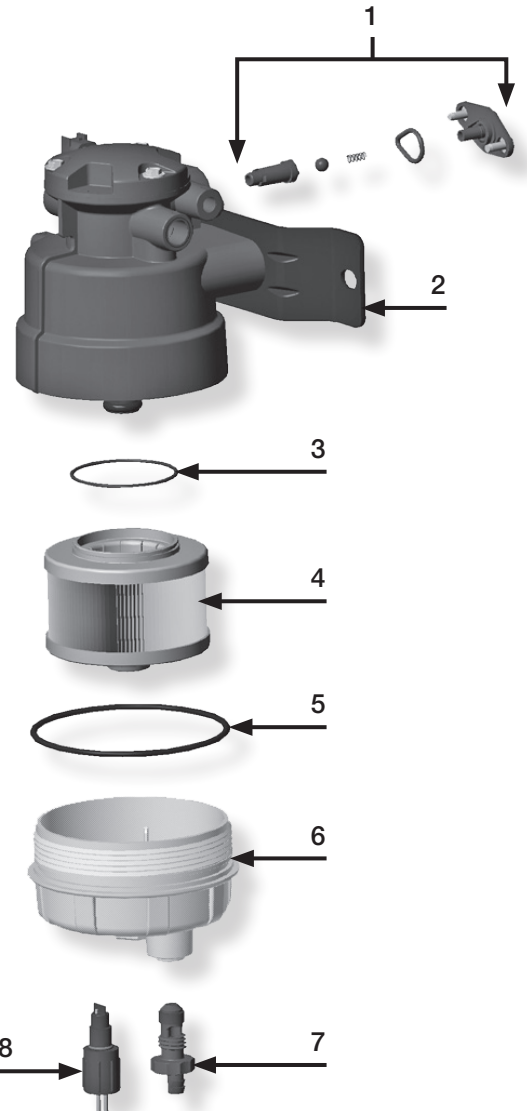
Vacuum installations are recommended. <sup>1</sup> Do not use on gasoline applications.

# Replacement Parts

## P3, P4 and P5

Part No.	Description
1. <b>RK 58075**</b>	Pressure Regulator
2. <b>RK 58109**</b>	Bracket Kit
3. <b>58066**</b>	Element O-ring
4. Replacement Elements (see Specifications chart) (includes #3)	
5. <b>RK58029**</b>	Bowl O-ring
6. <b>RK58179</b> <b>RK 58010</b> <b>RK58181</b>	P3 (shown) (Clear Bowl) P4 (Black Bowl) P5 (Clear Bowl)
7. <b>RK 30476</b> <b>RK 58049</b>	Drain Valve Kit (for P3 and P5) [not shown] Drain Valve Kit (for P4)
8. <b>RK 21069**</b>	Water Probe Kit
9. <b>RK58107**</b>	6-Way Electrical Harness Kit (includes #10)
10. <b>RK58137**</b>	Mating Connector Harness
11. <b>RK58132**</b>	Under-dash Control Panel
12. <b>RK 58092</b>	[not shown] Water Sensor Connector Kit (for P4)

Note: \*\* = For use with all models.



# Limited Warranties Statement

All products manufactured or distributed by Racor are subject to the following, and only the following, LIMITED EXPRESS WARRANTIES, and no others: For a period of one (1) year from and after the date of purchase of a new Racor product, Racor warrants and guarantees only to the original purchaser-user that such a product shall be free from defects of materials and workmanship in the manufacturing process. The warranty period for pumps and motors is specifically limited to ninety (90) days from date of purchase. A product claimed to be defective must be returned to the place of purchase. Racor, at its sole option, shall replace the defective product with a comparable new product or repair the defective product. This express warranty shall be inapplicable to any product not properly installed and properly used by the purchaser-user or to any product damaged or impaired by external forces.

THIS IS THE EXTENT OF WARRANTIES AVAILABLE ON THIS PRODUCT. RACOR SHALL HAVE NO LIABILITY WHATSOEVER FOR CONSEQUENTIAL DAMAGES

FLOWING FROM THE USE OF ANY DEFECTIVE PRODUCT OR BY REASON OF THE FAILURE OF ANY PRODUCT. RACOR SPECIFICALLY DISAVOWS ALL OTHER WARRANTIES, EXPRESS OR IMPLIED INCLUDING, WITHOUT LIMITATION, ALL WARRANTIES OF FITNESS FOR A PARTICULAR PURPOSE (EXCEPT FOR THOSE WHICH APPLY TO PRODUCT OR PART THEREOF THAT IS USED OR BOUGHT FOR USE PRIMARILY FOR PERSONAL, FAMILY, OR HOUSEHOLD PURPOSES), WARRANTIES OF DESCRIPTION, WARRANTIES OF MERCHANTABILITY, TRADE USAGE OR WARRANTIES OR TRADE USAGE.

## Warning

Failure or improper selection or improper use of the products and/or systems described herein or related items can cause death, personal injury and property damage. This document and other information from Parker Hannifin Corporation, its subsidiaries and authorized distributors provide product

and/or system options for further investigation by users having technical expertise. It is important that you analyze all aspects of your application and review the information concerning the product or system in the current product catalog. Due to the variety of operating conditions and applications for these products or systems, the user, through its own analysis and testing, is solely responsible for making the final selection of the products and systems and assuring that all performance, safety and warning requirements of the applications are met. The products described herein, including with limitation, product features, specifications, designs, availability and pricing, are subject to change by Parker Hannifin Corporation and its subsidiaries at any time without notice.

The following statement is required pursuant to proposition 65, applicable in the State of California: 'This product may contain a chemical known to the State of California to cause cancer or reproductive toxicity'