

ECO-BC (Behind The Cab)

Replacement Intake Air Filter



ECO®-BC series filters include a disposable housing which protects the paper media. When servicing, the chance of dust migrating off of the paper to the clean side of the air system is greatly reduced. Also, by containing the filter in a serviceable housing, all dynamic seals are visible for inspection. The ECO-BC series filter requires less space to service than standard cartridge filters.

All of the ECO-BC series filters use Racor's exclusive Moisture Bloc™ air filter media technology. Any moisture that is introduced inside the housings beads up on the media and runs down off the filter instead of soaking through the paper. By preventing moisture from soaking through the media, the ECO-BC series filters are able to achieve a lower pressure drop in wet applications greatly reducing a chance of pleat bunching that other manufacturers experience.



Contact Information

Parker Hannifin Corporation
Racor Division
P.O. Box 3208
3400 Finch Road
Modesto, CA 95353

phone 800 344 3286
209 521 7860
fax 209 529 3278
racor@parker.com

www.racorcustomers.com
www.parker.com/racor

Features and Benefits

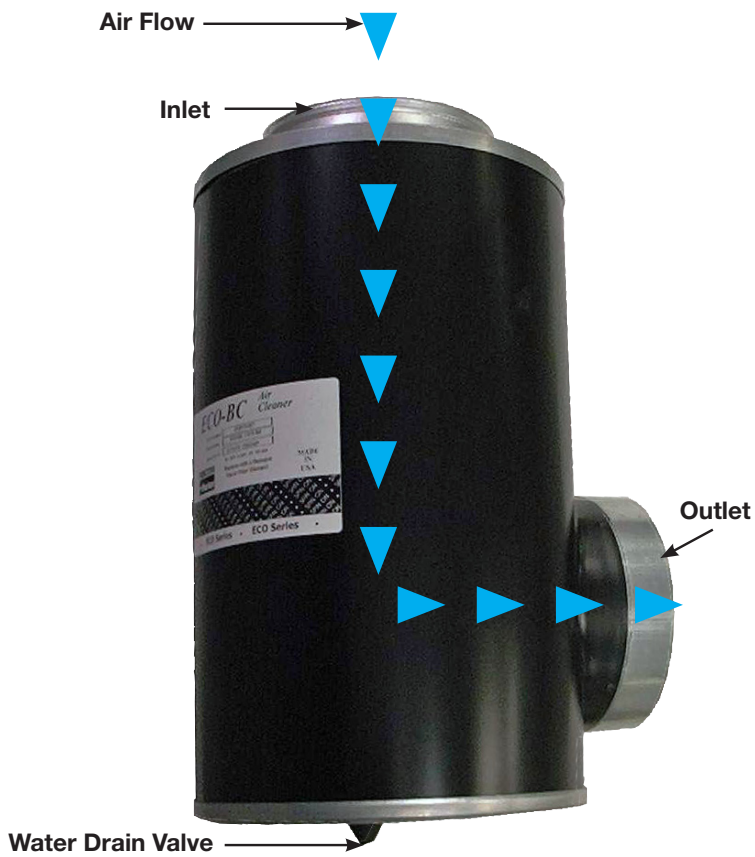
- Moisture-bloc™ media repels water
- Lowers pressure drop
- Extends filter life
- Rugged and reliable
- Lower clean pressure drop
- Exclusive Pleat-lock™ technology
- Prevents pleat bunching
- Tapered off-set cone design
- 720 to 1750 CFM flow rate
- Vertical applications only



ENGINEERING YOUR SUCCESS.

Designed for behind the truck cab installations, the ECO-BC must be mounted vertically with an inside-out air flow. The ECO-BC air filter can be used for under hood applications also and the rubber drain valve in the bottom base allows for water and dirt to easily drain out.

This disposable air cleaner features a slimline vertical design for tight or limited space installations.



Specifications	094973001	094973002	094973003	094973004
Air Flow	1120-1600 cfm	1450-1750 cfm	875-1250 cfm	720-1060 cfm
Height	24.0 in. (61.0 cm)	24.0 in. (61.0 cm)	24.0 in. (61.0 cm)	18.0 in. (45.7 cm)
Diameter	11.0 in. (27.9 cm)	13.5 in. (34.3 cm)	9.8 in. (24.9 cm)	9.8 in. (24.9 cm)
Outlet Size	7.0 in. (17.8 cm)	7.0 in. (17.8 cm)	6.0 in. (15.2 cm)	6.0 in. (15.2 cm)
Inlet Size	7.0 in. (17.8 cm)	7.0 in. (17.8 cm)	6.0 in. (15.2 cm)	6.0 in. (15.2 cm)
Weight	19.0 lbs (8.6 kg)	27.0 lbs (12.2 kg)	16.0 lbs (7.3 kg)	10.4 lbs (4.7 kg)

Specifications	094973005	094973006	094973007
Air Flow	980-1470 cfm	810-1200 cfm	1010-1490 cfm
Height	15.0 in. (38.1 cm)	18.0 in. (45.7 cm)	18.0 in. (45.7 cm)
Diameter	13.5 in. (34.3 cm)	11.0 in. (27.9 cm)	11.0 in. (27.9 cm)
Outlet Size	7.0 in. (17.8 cm)	6.0 in. (15.2 cm)	7.0 in. (17.8 cm)
Inlet Size	7.0 in. (17.8 cm)	7.0 in. (17.8 cm)	7.0 in. (17.8 cm)
Weight	15.4 lbs (7.0 kg)	12.6 lbs (5.7 kg)	12.5 lbs (5.7 kg)

Rubber Fittings

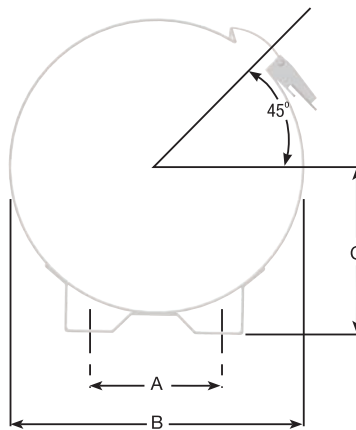
Low resistance rubber adapters with clamps provide a positive sealing environment, with minimal airflow restriction and easy servicing rubber fittings will save you time and money. Racor rubber air inlet fittings are made of high quality EPDM rubber and provide minimum airflow restriction between the air cleaner and engine air inlet. The flexibility simplifies both installation and service. Stainless steel adjustable clamps assure a positive seal and ease of service.



For more information see bulletin 7609

Mounting Clamps

- Installs by matching element diameter
- For the ECO Series
- Powder coated



Part No.	Dimensions			Weight
	A	B	C	
071921001	9.8 in. (24.9 cm)	4.5 in. (11.4 cm)	5.5 in. (14.0 cm)	1.3 lbs (0.6 kg)
071921002	11.0 in. (27.9 cm)	5.0 in. (12.7 cm)	6.1 in. (15.5 cm)	1.4 lbs (0.6 kg)
071921003	13.5 in. (34.3 cm)	6.0 in. (15.2 cm)	7.4 in. (18.8 cm)	1.6 lbs (0.7 kg)
071921004*	11.0 in. (27.9 cm)	5.0 in. (12.7 cm)	6.1 in. (15.5 cm)	1.4 lbs (0.6 kg)
071921006	15.0 in. (38.1 cm)	6.0 in. (15.2 cm)	8.2 in. (20.8 cm)	1.6 lbs (0.7 kg)
099049001	6.9 in. (17.5 cm)	3.5 in. (8.9 cm)	5.1 in. (13.0 cm)	0.6 lbs (0.3 kg)
099049002	7.9 in. (20.1 cm)	3.5 in. (8.9 cm)	5.6 in. (14.2 cm)	0.7 lbs (0.3 kg)
099049003	9.8 in. (24.9 cm)	4.5 in. (11.4 cm)	6.6 in. (16.8 cm)	0.8 lbs (0.4 kg)

*Latch is positioned at 90°. **Note:** Two brackets required for all installations.

Filter Service Indicator



Filter Minder® Service Indicator is a precision airflow restriction gauge designed to take the guesswork out of air cleaner filter replacement. Its operation is simple and virtually foolproof.

As dirt captured by the filter cartridge gradually builds up, the system pressure drop increases and is indicated by the Filter Minder on an easy-to-read scale.

The indicator locks up at the point of maximum restriction so readings can be taken with or without the engine running. When the desired change-out point is reached, the filter cartridge is easily reset by simply pushing the button at the bottom of the unit.

This indicator works equally well on both gasoline and diesel equipment.

Economical - Saving one filter change-out can more than cover the cost of the Service Indicator. It's a small price for a potentially large gain year after year.

Part No.	Range ^C	Description
400033015 ^A	3-15	Direct Mount
400033020 ^A	4-20	Direct Mount
400033025 ^A	4-25	Direct Mount
014440001 ^A	4-25	Direct Mount w/ 90° fitting
072604000 ^B	4-25	Remote Mount
076248001 ^A	8-25	Dash Mount

^A Unit standard with a 1/8" -27 NPT straight fitting.

^B Unit standard with a 90° coupling and 10' hose.

^C Measurement in inches of water vacuum.

Filter Monitor/Single Latching Position	
Part No.	Range (In. water vac.)
500198020	20
500198025	25

Accessories

Part No.	Description
400034000	90° fitting (Adapts to straight fitting)

Parker Hannifin Corporation
Filtration Group
Global Headquarters
 6035 Parkland Boulevard
 Cleveland, OH 44124-4141
 T 216 896 3000, F 216 896 4021
www.parker.com

North America
Compressed Air Treatment
Filtration & Separation/Balston
 242 Neck Road
 Haverhill, MA 01835-0723
 T 978 858 0505, F 978 858 0625
www.parker.com/balston

Filtration & Separation/Finite
 500 Glaspie Street, PO. Box 599
 Oxford, MI 48371-5132
 T 248 628 6400, F 248 628 1850
www.parker.com/finitefilter

Purification, Dehydration and
Filtration Division
 4087 Walden Avenue
 Lancaster, NY 14086
 T 716 685 4040, F 716 685 1010
www.airtek.com

Sales Office
 5900-B Northwoods Parkway
 Charlotte, NC 28269
 T 704 921 9303, F 704 921 1960
www.domnickhunter.com

Engine Filtration &
Water Purification
Racor
 3400 Finch Road, PO Box 3208
 Modesto, CA 95353
 T 209 521 7860, F 209 529 3278
www.parker.com/racor
www.parker.com/racorproducts
www.racorcustomers.com

Racor
 850 North West St., PO Box 6030
 Holly Springs, MS 38635
 T 662 252 2656, F 662 274 2118

Racor
 302 Parker Drive
 Beaufort, SC 29906
 T 843 846 3200, F 843 846 3230

Racor -- Village Marine Tec.
 2000 West 135th Street
 Gardena, CA 90249
 T 310 516 9911, F 310 538 3048
www.villagemarine.com

Hydraulic Filtration
Hydraulic Filter
 16810 Fulton County Road #2
 Metamora, OH 43540-9714
 T 419 644 4311, F 419 644 6205
www.parker.com/hydraulicfilter

Process Filtration
Process Advanced Filtration
 2340 Eastman Avenue
 Oxnard, CA 93030
 T 805 604 3400, F 805 604 3401
www.parker.com/processfiltration

© 2010 Parker Hannifin Corporation
 Bulletin 7595 Rev A (January 2010)

Europe
Compressed Air Treatment
domnick hunter Industrial
 Dukesway, Team Valley Trading Estate
 Gateshead, Tyne & Wear
 England NE11 0PZ
 T +44 (0) 191 402 9000,
 F +44 (0) 191 482 6296
www.domnickhunter.com

Hiross Zander
Padova Business Unit
 Strada Zona Industriale 4
 35020 S. Angelo di Piove Padova, Italy
 T +39 049 9712 111, F +39 049 9701 911
www.dh-hiross.com

Hiross Zander
Essen Business Unit
 Zander Aufbereitungstechnik GmbH
 Im Teelbruch 118
 D-45219 Essen, Germany
 T +49 2054 9340, F +49 2054 934164
www.zander.de

Parker Gas Separations
 Oude Kerkstraat 4
 P O Box 258
 4870 AG Etten- Leur, Netherlands
 T +31 76 508 5300, F +31 76 508 5333

Engine Filtration &
Water Purification

Racor
 Shaw Cross Business Park
 Churwell Vale Dewsbury,
 WF12 7RD England
 T +44 (0) 1924 487000,
 F +44 (0) 1924 487038
www.parker.com/rfde

Racor Research & Development
 Parker Hannifin GmbH & Co KG
 Inselstrasse 3 – 5
 70327 Stuttgart Germany
 T +49 (0)711 7071 290-0,
 F +49 (0)711 7071 290 -70
www.parker.com/racor

Hydraulic Filtration
Hydraulic Filter
 Stieltjesweg 8, 6827 BV
 P.O. Box 5008 6802 EA
 Arnhem, Holland
 T +31 26 3760376, F +31 26 3643620
www.parker.com/eurofilt

Urjala Operation
 Salmentie 260
 31700 Urjala as Finland
 T +358 20 753 2500, F +358 20 753 2501
www.parker.com/fi

Condition Monitoring Center
 Brunel Way Thetford,
 Norfolk IP 24 1HP England
 T +44 1842 763299, F +44 1842 756300
www.parker.com/cmc

Process Filtration
domnick hunter Process
 Durham Road, Birtley Co. Durham,
 DH3 2SF England
 T +44 (0) 191 410 5121,
 F +44 (0) 191 410 5312
www.domnickhunter.com

Asia Pacific
Australia
 9 Carrington Road, Castle Hill
 NSW 2154, Australia
 T +61 2 9634 777, F +61 2 9899 6184
www.parker.com/australia

China
 280 YunQiao Road
 JinQiao Export Processing Zone
 Shanghai 101206 China
 T +86 21 5031 2525, F +86 21 5834 3714
www.parker.com/china

India
 Plot EL 26, MIDC, TTC Industrial Area
 Mahape, Navi Mumbai 400 709 India
 T +91 22 5613 7081, 82, 83, 84, 85
 F +91 22 2768 6618 6841
www.parker.com/india

Japan
 626, Totsuka-cho, Totsuka-ku
 Yokohama-shi, 244-0003 Japan
 T +81 45 870 1522, F +81 45 864 5305
www.parker.com/japan

Korea
 1-C Block, Industrial Complex of Jangan,
 615-1, Geumui-Ri Jangan-Myeon,
 Hwaseong-City Gyeonggi-Do, Korea
 T +82 31 359 0771, F +82 31 359 0770
www.parker.com/korea

Singapore
 11, Fourth Chin Bee Road
 Singapore 619 702
 T +65 6887 6300, F +65 6261 4929
www.parker.com/singapore

Thailand
 1023 3rd Floor, TPS Building
 Pattanakam Road, Suanluang,
 Bangkok 10250 Thailand
 T +66 2717 8140, F +66 2717 8148
www.parker.com/thailand

Latin America
Parker Comercio Ltda.
Filtration Division
 Estrada Municipal Joel de Paula
 900 Eugenio de Melo,
 Sao Jose dos Campos
 CEP 12225390 SP Brazil
 T +55 12 4009 3500, F +55 12 4009 3529
www.parker.com/br

Pan American Division - Miami
 7400 NW 19th Street, Suite A
 Miami, FL 33128
 T 305 470 8800 F 305 470 8808
www.parker.com/panam

Africa
Parker Hannifin Africa Pty Ltd
 Parker Place, 10 Berne Avenue,
 Aeroport Kempton Park,
 1620 South Africa
 T +27 11 9610700, F +27 11 3927213
www.parker.com/eu

